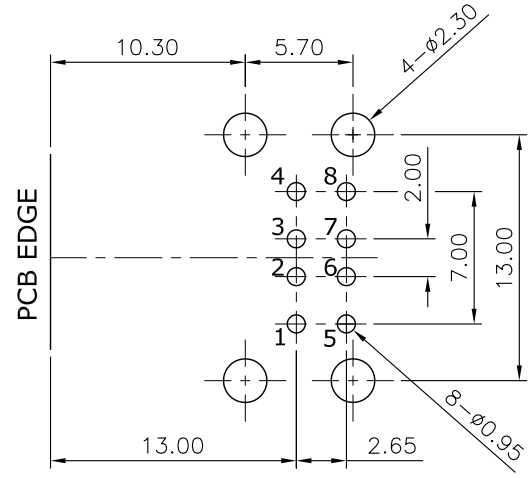
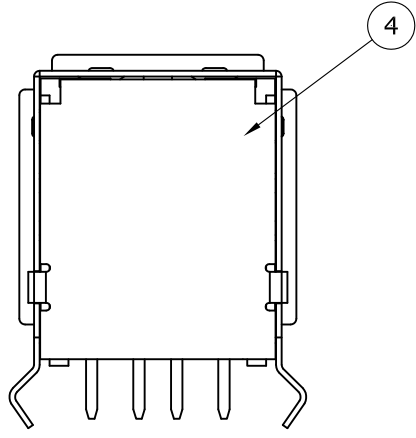
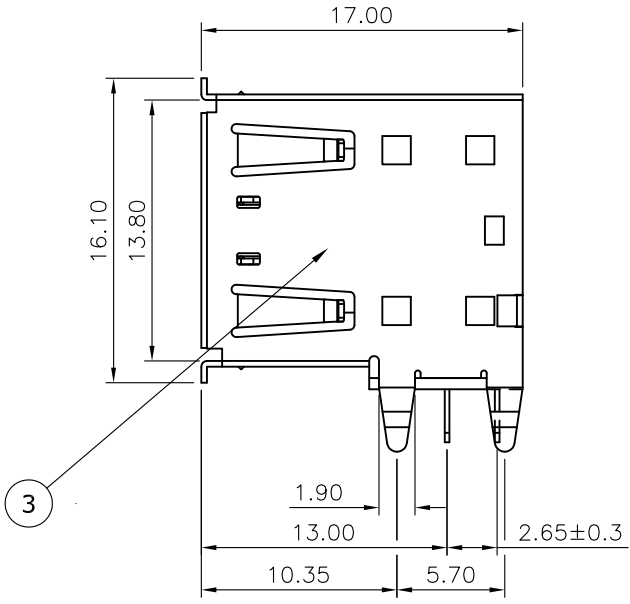
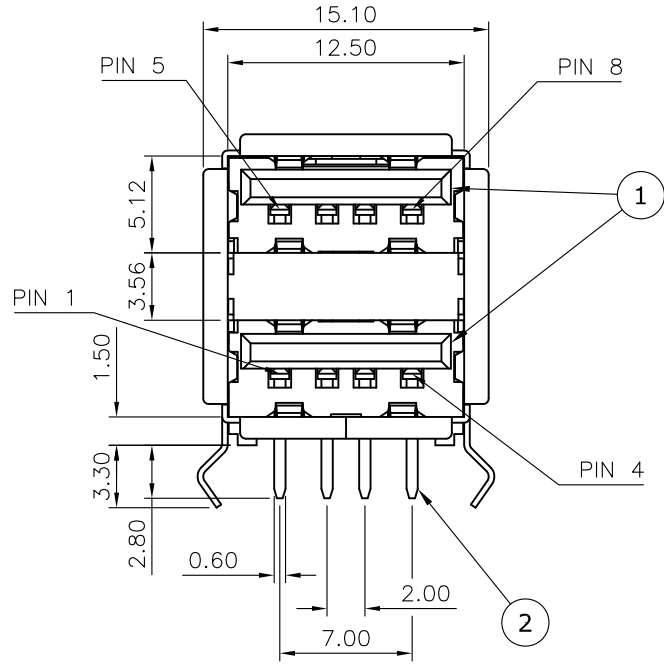


REV.	DESCRIPTION	DRAWN	DATE
1	INITIAL RELEASE	WILLIS	2012/08/03
2	REVISED FRAME	RON	2014/10/08
3	REVISED FRAME	FROS	2014/12/29



RECOMMEND PCB LAYOUT  
BOTTOM VIEW  
GENERAL TOLERANCE: ±0.1mm

**SPECIFICATION:**

1. ELECTRICAL
  - 1.1 Current Rating: 1.5A per pin
  - 1.2 Voltage Rating: 250V AC
  - 1.3 Contact Resistance: 30mΩ
  - 1.4 Insulation Resistance: 1000MΩ
  - 1.5 Dielectric Withstanding Voltage: 750VAC
2. MECHANICAL
  - 2.1 Durability: 1500 Cycle
  - 2.2 Insertion Force: 35N max.
  - 2.3 Extraction Force: 10N max.
3. ENVIRONMENTAL
  - 3.1 Operating temperature range: -40℃~+85℃
  - 3.2 Storage temperature range: -40℃~+85℃
4. SOLDER ABILITY
  - 4.1 Recommended Wave Solder Temperature: 260℃

4	SHELL	SPCC 0.3t,Nickel Plating		
3	SHELL	Brass C2680 0.3t,Nickel Plating		
2	CONTACT	Phosphor Bronze C5191 0.25t		
1	HOUSING	PBT+G/F, Color: White		
NO.	PART NAME	DESCRIPTION		
UNLESS OTHERWISE SPECIFIED TOLERANCE				
UNIT:	DECIMAL	LINEAR	ANGLES	
	mm	X.	±0.50 ±5°	
		X.X	±0.25 ±3°	
		X.XX	±0.12 ±1°	
WWW.ATTEND.COM.TW				
DRAWN	Willis	2012/08/03	DRAWN NAME: USB A Receptacle Dual Type Contact Area Gold Flash, White	
CHECKED	Angel	2012/08/03		
APPROVED	Ken	2012/08/03	PRODUCT NO.	205G-AA0-RA2
	SCALE	SHEET	SIZE	FILE NAME
	2.5/1	1/1	A4	205G-AA0-RA2_B_3