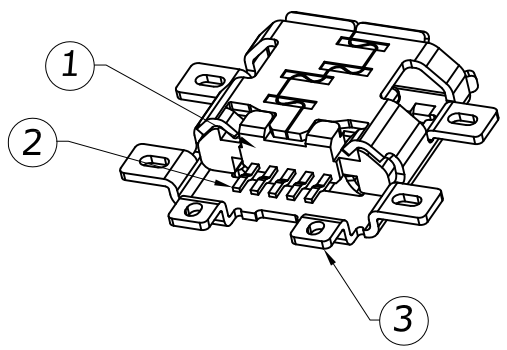
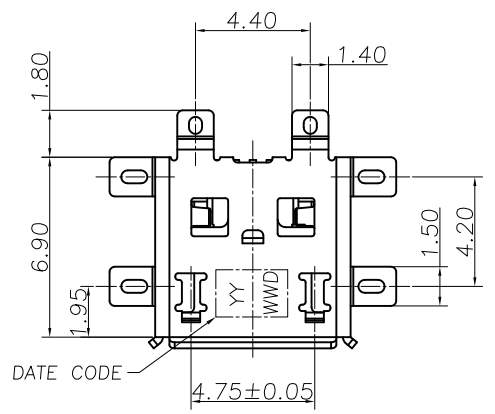


REV.	DESCRIPTION	DRAWN	DATE
1	INITIAL RELEASE	Willis	2012/10/31
2	Revised Voltage Rating	FROS	2014/11/25
3	Corrected Plating Description	FROS	2015/03/20



SPECIFICATION:

1. ELECTRICAL
 - 1.1 Current Rating: Signal(Pin2,3,4):1.0A
Power(Pin1,5):1.8A
 - 1.2 Voltage Rating: 30V AC/DC
 - 1.3 Contact Resistance: 50mΩ
 - 1.4 Insulation Resistance: 1000MΩ
 - 1.5 Dielectric Withstanding Voltage: 100VAC

2. MECHANICAL

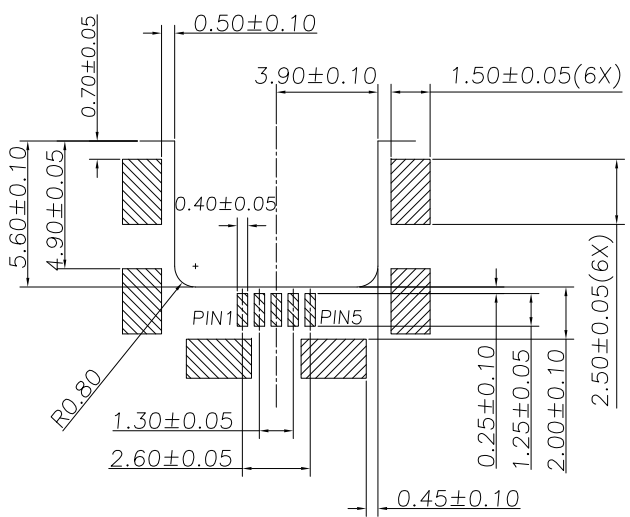
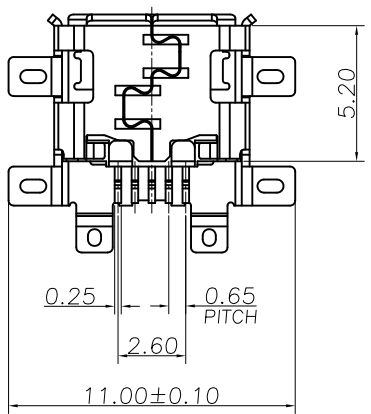
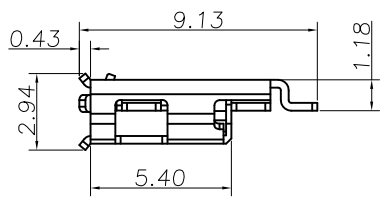
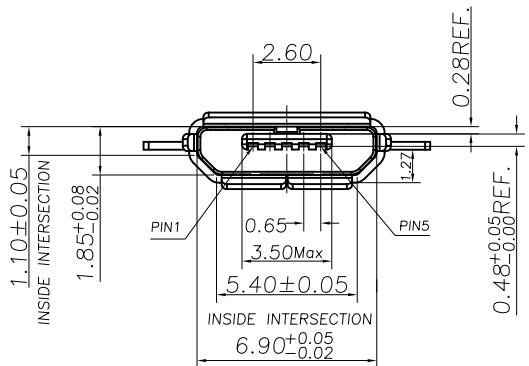
- 2.1 Durability: 10,000 Cycle
- 2.2 Insertion Force: 35N max.
- 2.3 Extraction Force: 8~20N max.

3. ENVIRONMENTAL

- 3.1 Operating temperature range: -20°C~+85°C
- 3.2 Storage temperature range: -40°C~+85°C


4. SOLDER ABILITY

- 4.1 Recommended IR Reflow Temperature: 260°C



RECOMMENDED P.C.B LAYOUT

3	SHELL	STAINLESS STEEL SUS304 T0.3, MATTE TIN 3.8 MICRON UNDER PLATING: NICKEL 1.27 MICRON
2	CONTACT	BRASS C2680, CONTACT AREA: GOLD FLASH OVER 0.75 MICRON Pd/Ni MIN.; UNDER PLATING: NICKEL 2.0 MICRON
1	HOUSING	LCP, UL94V-0, BLACK

UNLESS OTHERWISE SPECIFIED TOLERANCE					
UNIT:	DECIMAL	LINEAR	ANGLES		
mm	X.	±0.50	±5°	WWW.ATTEND.COM.TW	
	X.X	±0.25	±3°		
	X.XX	±0.12	±1°		
DRAWN	Willis	2012/10/31	DRAWN NAME:		
CHECKED	Angel	2012/10/31	Micro USB B Receptacle Middle Board Mount Type 1.27mm		
APPROVED	Ken	2012/10/31	PRODUCT NO.	207E-BA00-RA1	
SCALE	N/A	SHEET	1/1	SIZE	A4
			FILE NAME	207E-BA00-RA1_B_3	