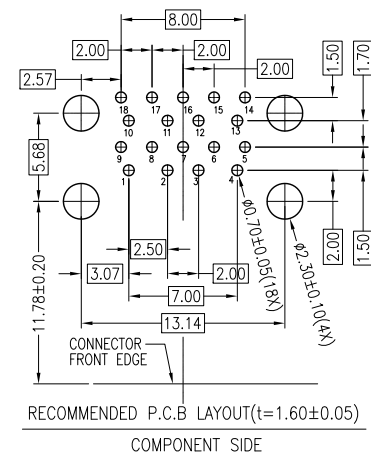
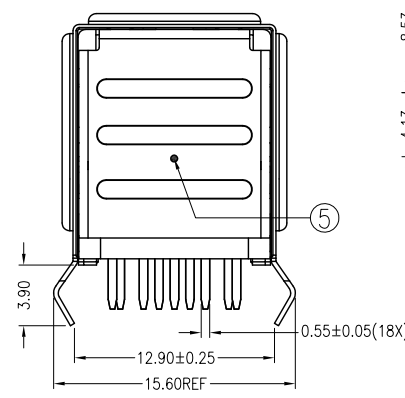
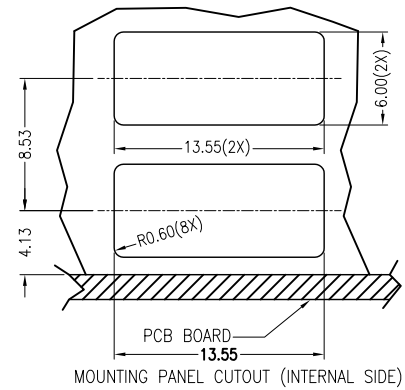


ITEM	DESC.	QTY.	MATERIAL	REMARKS
6	PLASTIC PARTS	6	LCP UL94V-0	COLOR:BLUE Pantone 300C 30% G/F
5	REAR SHELL	1	STEEL (t=0.30mm)	OVER-PLATING: Ni 60u" UNDER-PLATING: Cu 120u"
4	SPRING	1	STAINLESS STEEL (t=0.30)	
3	FRONT SHELL	1	CARBON STEEL (t=0.30)	OVER-PLATING: Ni 60u"
2	5P TERMINAL	10	BRASS C2680	CONTACT AREA:30u" SOLDER AREA:Sn 80u"
1	4P TERMINAL	8	PHOSPHOR BRONZE C5191	UNDER-PLATING:Ni 80u"



Pin Assignments	
Pin No.	Signal Name
1	VBUS
2	D-
3	D+
4	GND
5	StdA_SSRX-
6	StdA_SSRX+
7	GND_DRAIN
8	StdA_SSTX-
9	StdA_SSTX+
Shell	Shield

Product Number	Description
209B-DG03	USB3.0 A Receptacle, Dual Port DIP type, Contact: 30u" Gold

UNLESS OTHERWISE SPECIFIED TOLERANCE		
ANGLES	ANG.	±5°
LINEAR	0.	±0.3
	0.0	±0.25
	0.00	±0.20
SCALE	AS SHOWN	UNIT: mm
DRAWN	Willis	2013/03/12
CHECKED	Angel	2013/03/12
APPROVED	Ken	2013/03/12



www.attend.com.tw
 DRAWN NAME: USB3.0 A Receptacle Dual Port DIP Type
 PRODUCT NO. 209B-DG03

REV.	DESCRIPTION	DATE	REV.	DESCRIPTION	DATE