

SWITCH CIRCUIT

MATERIAL AND FINISH AS BELOW

A	Housing	PBT UL94V-0 Black	E
B	Contact	Phosphor Bronze C5191, Contact Area: 5u" Gold	F
C	Shell	Brass C2680, Nickel Plating	G
D			H

PRODUCT NUMBER:
213A-12 C X X-RA12
1 2 3 4

SPECIFICATION:

- No. of Contact: 12:1X2
- Contact Plating: C:5u" Gold Plating
- EMI Tab: A:with EMI Tab, B:without EMI Tab
- LED: A:Y(LED2)+G(LED1)

1. ELECTRICAL

- 1.1 Current Rating: 1.5A per pin
- 1.2 Voltage Rating: 125V DC per pin
- 1.3 Contact Resistance: 50mΩ
- 1.4 Insulation Resistance: 1000MΩ
- 1.5 Dielectric Withstanding Voltage: 1000VAC

2. MECHANICAL

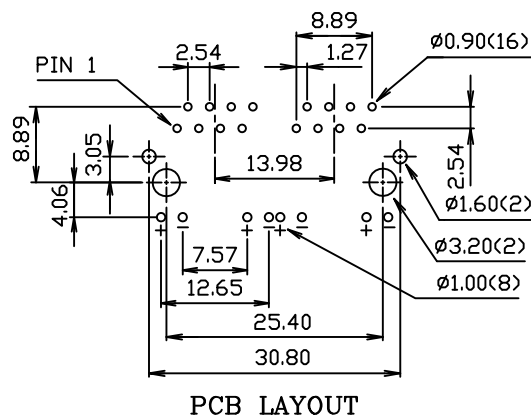
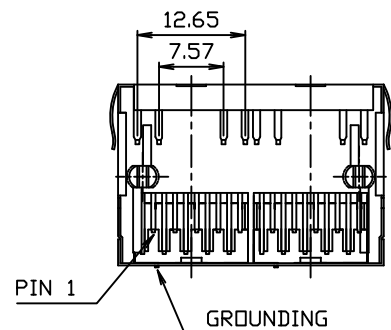
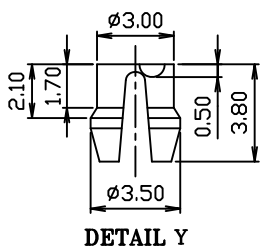
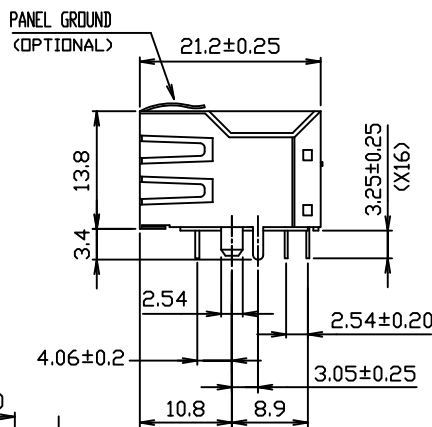
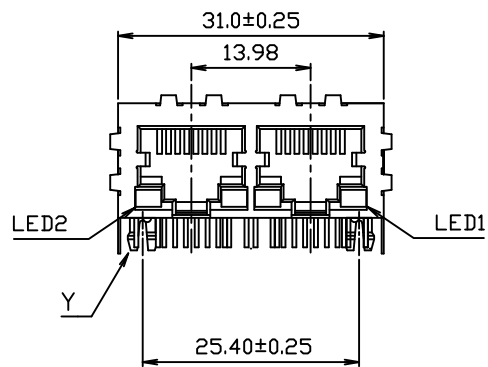
- 2.1 Durability: 750 Cycle

3. ENVIRONMENTAL

- 3.1 Operating temperature range: -40°C ~ +85°C
- 3.2 Storage temperature range: -40°C ~ +85°C

4. SOLDER ABILITY

- 4.1 Recommended Wave Soldering Temperature: 260°C
- 4.2 Recommended PCB Thickness: 1.6mm



P1	P2	P3	P4	P5	P6	P7	P8	P9	P10	P11	P12
PIN ASSIGNMENT											
213A-12CXX-RA12			RJ45 1X2 Jack Magnetic Type, Contact Area:5u" Gold Plating								
PRODUCT NO.			DESCRIPTION								

UNLESS OTHERWISE SPECIFIED TOLERANCE		
ANGLES	ANG.	±5°
LINEAR	0.	±0.3
	0.0	±0.25
	0.00	±0.20
SCALE	AS SHOWN	UNIT: mm
DRAWN	Willis	2013/06/13
CHECKED	Angel	2013/06/13
APPROVED	Ken	2013/06/13



www.attend.com.tw

DRAWN NAME:
RJ45 1X2 Jack Magnetic Type

PRODUCT NO. 213A-12 CXA-RA12

REV.	DESCRIPTION	DATE	REV.	DESCRIPTION	DATE	SIZE	REV.	FILE NAME
1			4			A4	1.0	213A-12CXA-RA12_B_1

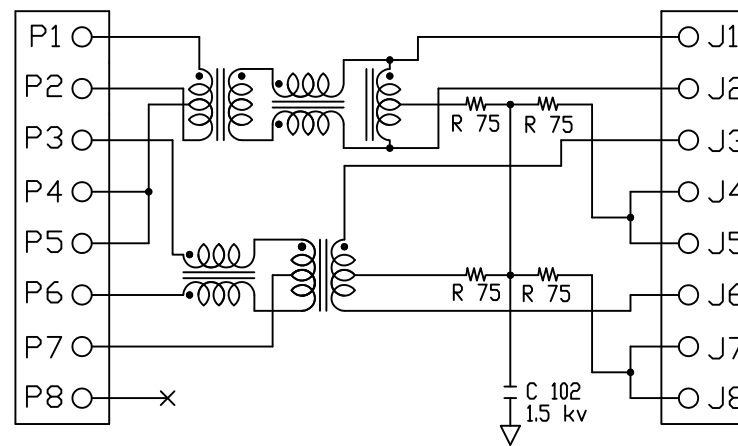
- △ Revise:
- △ Revise:
- △ Revise:

Specification :

Item	Parameter	Condition	Min.	Typ.	Max.	Unit	REMARK
1	Insertion loss	1-100 MHz			-1	dB	
2	Return loss	1-30 MHz	-16			dB	NOTE 1
		30-60 MHz				dB	
		60-80 MHz	-10			dB	
3	□CL	100 KHz	350			μH	
4	Crosstalk	1-100 MHz	-35			dB	
5	Hipot	Vrms	1.5			kV	
6	Turns Ratio (Chip : Cable)	TX: 1 : 1 RX: 1 : 1				CT	
7	Direct Current resistance					Ω	

*NOTE 1: Greater than $(16-20 \text{ Log } (f/30\text{MHz}))$ dB.

CONNECTOR SOLDER SIDE RJ45 CONTACT SIDE



CONNECTOR SCHEMATIC

REV.	DESCRIPTION	DATE	REV.	DESCRIPTION	DATE	SIZE	REV.	FILE NAME
1			4			A4	1.0	213A-12CX A-RA12
								213A-12CXA-RA12_B_1

UNLESS OTHERWISE SPECIFIED TOLERANCE			www.attend.com.tw	
ANGLES	ANG.	±5°	DRAWN NAME: RJ45 1X2 Jack Magnetic Type	
LINEAR	0.	±0.3		
	0.0	±0.25		
SCALE	AS SHOWN	UNIT: mm	PRODUCT NO. 213A-12 C X A-RA12	
DRAWN	Willis	2013/06/13		
CHECKED	Angel	2013/06/13		
APPROVED	Ken	2013/06/13	FILE NAME 213A-12CXA-RA12_B_1	



ATTEND