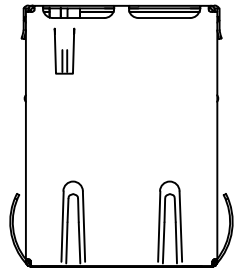


REV.	DESCRIPTION	DRAWN	DATE
1	INITIAL RELEASE	Willis	2013/09/30
2	Revised Boss, Shell type	Willis	2014/07/14
3	Revised Boss, Shell type	FROS	2016/09/22



P/N TABLE

P/N	LED 1	LED 2
214A-11CAA	Yellow	Green
214A-11CAB	Green	Yellow

Notes:

Characteristics Description:

1. RJ45 10/100 PoE Base-Tx Transformer Jack With Transformer Impedance Resistor/High Voltage Capacitor.
2. Size same As RJ-45 Modular Jack To Save PCB Space.
3. Reduce EMI Radiation, Improve EMI Performance.
4. Designed For Network Interface Card Application.
5. Designed To Meet IEEE 802.3u Requirement.

Electrical Specifications:

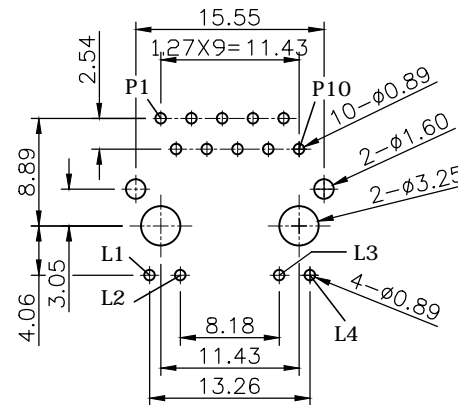
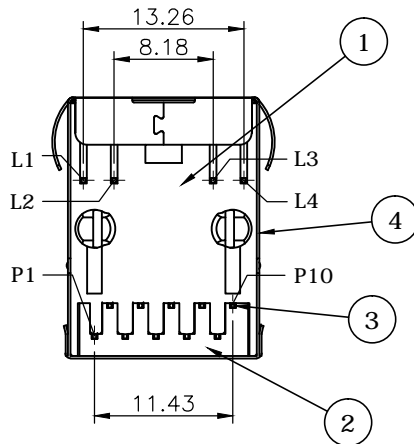
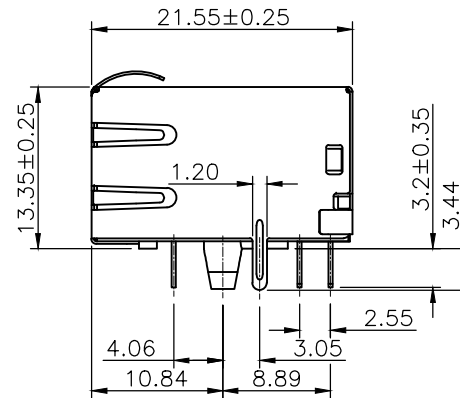
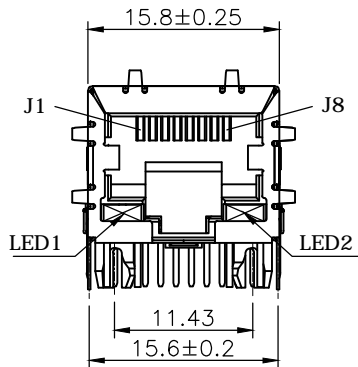
1. Inductance At 100 KHz, 100 mV 8mADC Bias: 350 uH Min.
2. Leakage Inductance 0.4 uH Max. @100KHz 100mV
3. Insertion Loss: 1.1 dB Max. @ 1-100 MHz
4. Return Loss: 18dB Min. @ 1-30MHz
16dB Min. @ 30-60MHz
12dB Min. @ 60-80MHz
5. Cross Talk: 30dB Min. @ 1-100MHz
6. Common Mode Rejection: 30dB Min. @ 1-100MHz
7. Isolation Voltage @60Hz: 500Vrms (Input To Output) 60 Seconds
8. Voltage Rating: 57VDC. Max
9. Current Rating: 350mADC.

Mechanical:

1. Operating Life: 750 Cycles Min.

Environmental:

1. Storage: -40°C To +85°C.
 2. Operation: 0°C To +70°C.
- Mates With Modular Plug Conforming To TIA-1096-A



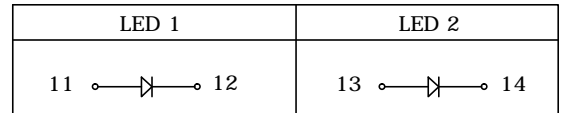
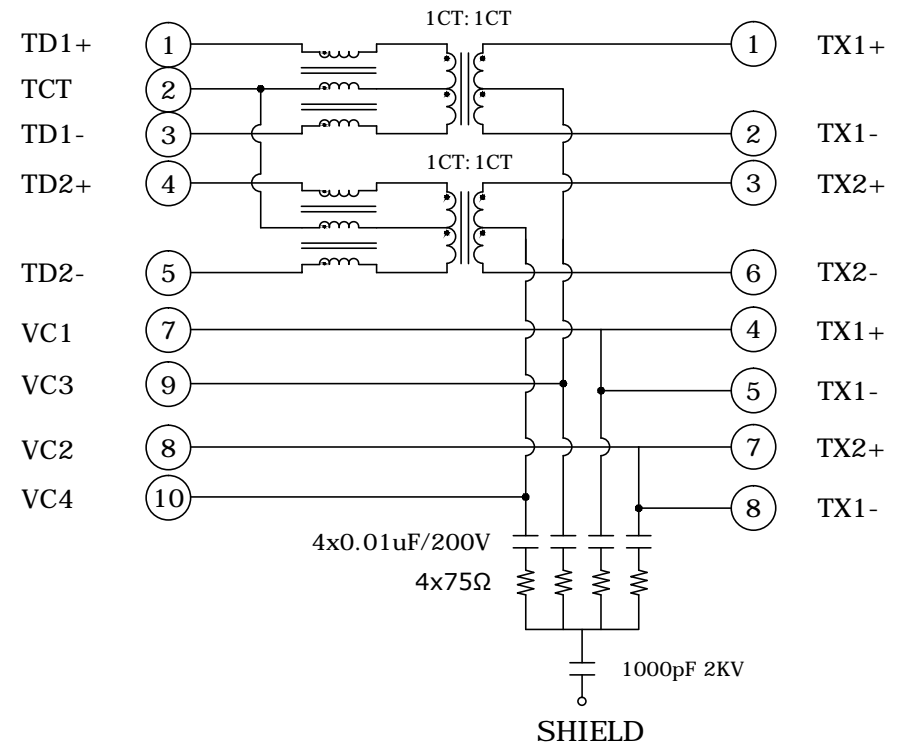
RECOMMENDED LAYOUT (TOP VIEW)
GENERAL TOLERANCE: ±0.1mm


4	SHELL	Stainless Steel 0.2t, Nickel plating			
3	CONTACT	Phosphor Bronze 0.3t, Gold plating on contact-area, Tin plating on solder tail under Nickel			
2	INSERT	High Temp. UL94V-0, Black			
1	HOUSING	High Temp. UL94V-0, Black			
NO. PART NAME		DESCRIPTION			
UNLESS OTHERWISE SPECIFIED TOLERANCE					
UNIT:	DECIMAL	LINEAR	ANGLES		
mm	X.	±0.50	±5°		
	X.X	±0.25	±3°		
	X.XX	±0.12	±1°		
WWW.ATTEND.COM.TW					
DRAWN	Willis	2013/09/30	DRAWN NAME:		
CHECKED	Angel	2013/09/30	RJ45 PoE Jack 10/100 Base With LED		
APPROVED	Ken	2013/09/30	PRODUCT NO.	SEE TABLE	
SCALE	1.6	SHEET	1/2	SIZE	A4



REV.	DESCRIPTION	DRAWN	DATE
	see sheet one		

Schematic: 10/100+ POE (type 4)



UNLESS OTHERWISE SPECIFIED TOLERANCE				 WWW.ATTEND.COM.TW
UNIT:	DECIMAL	LINEAR	ANGLES	
mm	X.	±0.50	±5°	
	X.X	±0.25	±3°	
	X.XX	±0.12	±1°	
DRAWN	Willis	2013/09/30	DRAWN NAME: RJ45 PoE Jack 10/100 Base With LED	
CHECKED	Angel	2013/09/30		
APPROVED	Ken	2013/09/30	PRODUCT NO.	SEE TABLE
	SCALE 1.6	SHEET 2/2	SIZE A4	FILE NAME 214A-11CAX_B_3