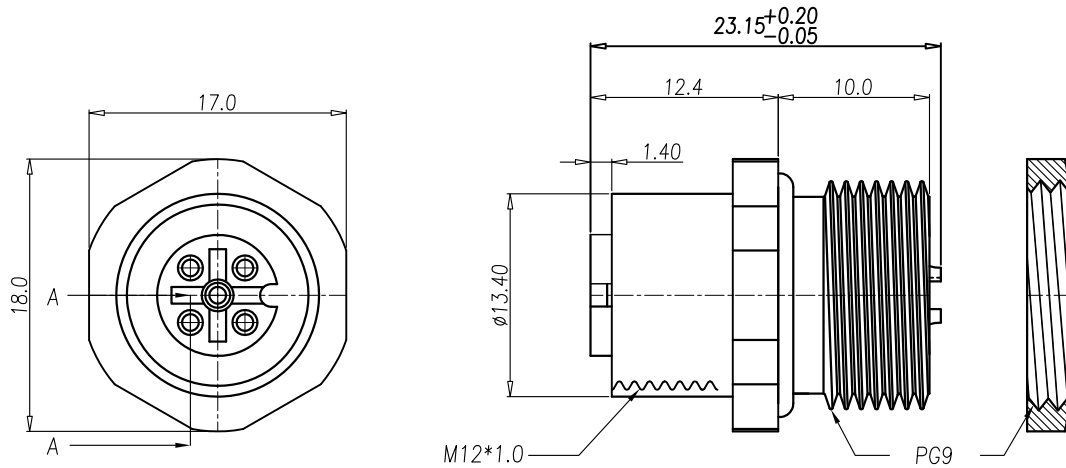


1	2	3	4	5	6	7	8	9	10
SWITCH CIRCUIT			MATERIAL AND FINISH AS BELOW						
WHEN CARD IS EJECTED		WHEN CARD IS INSERTED		A	Housing	PBT UL94V-0, Color: Black	E	O-Ring	NBR Black
				B	Contact	Brass C3604, Contact Area:10u" Gold Plating Over Nickel	F	O-Ring	EPDM Black
				C	Shell	Brass C3604, Nickel Plated	G	Epoxy Base	Epoxy Black
				D	Nut	Brass C3604, Nickel Plated	H		



SPECIFICATION:

1. ELECTRICAL

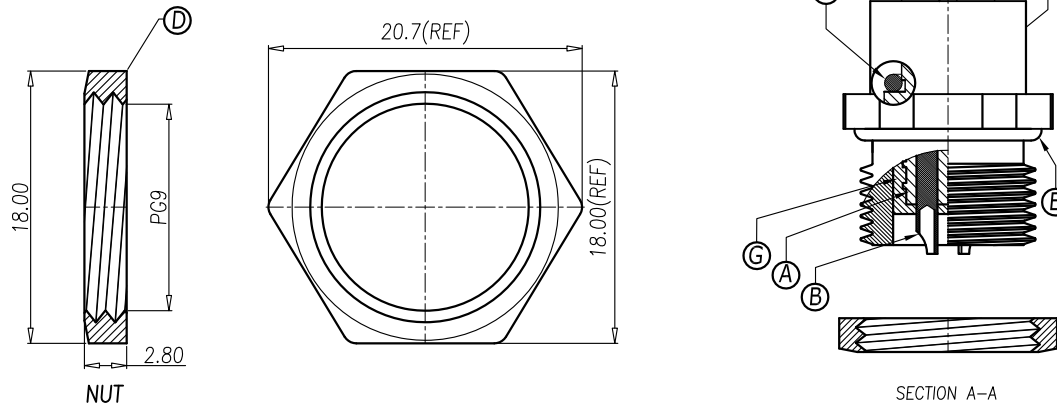
1.1 Current Rating: 5A per pin

1.2 Voltage Rating: 125V

1.3 Water Proof: IP X7

2. ENVIRONMENTAL

△ 2.1 Operating temperature range: -40°C ~ +85°C



P1	P2	P3	P4	P5	P6	P7	P8	P9	P10	P11	P12
----	----	----	----	----	----	----	----	----	-----	-----	-----

PIN ASSIGNMENT

216A-05FAR
PRODUCT NO.

M12 A Code 5Pin Receptacle, Female Solder Type, Rear Fastened, Contact: 10u" Gold Plating

DESCRIPTION

UNLESS OTHERWISE SPECIFIED TOLERANCE		
ANGLES	ANG.	±5°
LINEAR	0.	±0.3
	0.0	±0.25
	0.00	±0.20
SCALE	AS SHOWN	UNIT: mm
DRAWN	Willis	2013/12/24
CHECKED	Angel	2013/12/24
APPROVED	Ken	2013/12/24



www.attend.com.tw

DRAWN NAME:
M12 A- Code 5Pin Receptacle
Female Solder Type, Rear Fastened

PRODUCT NO. 216A-05FAR

FILE NAME 216A-05FAR_B_2

REV.	DESCRIPTION	DATE	REV.	DESCRIPTION	DATE	SIZE	REV.	FILE NAME
1	ECR1700027	2017/10/26				A4	1.0	216A-05FAR_B_2
2	INITIAL RELEASE	2013/12/24						