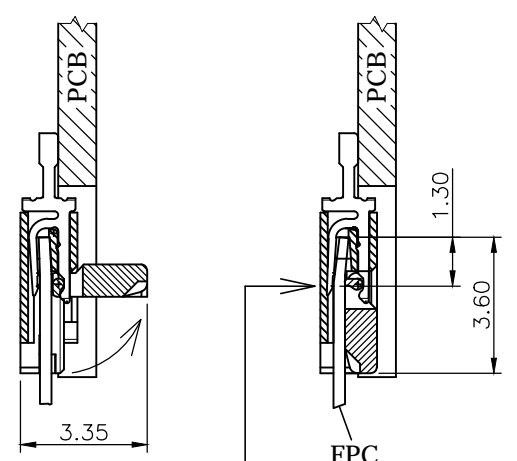
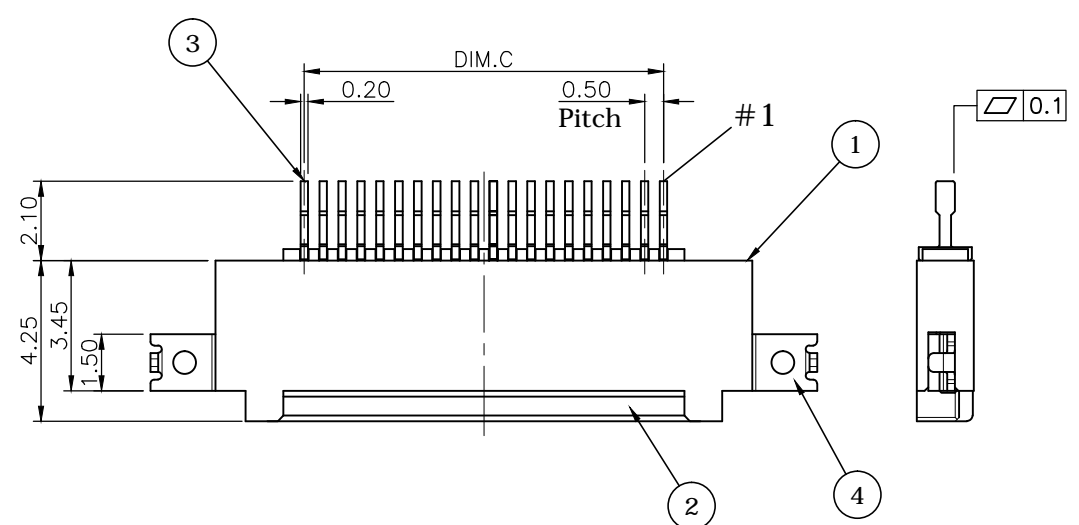
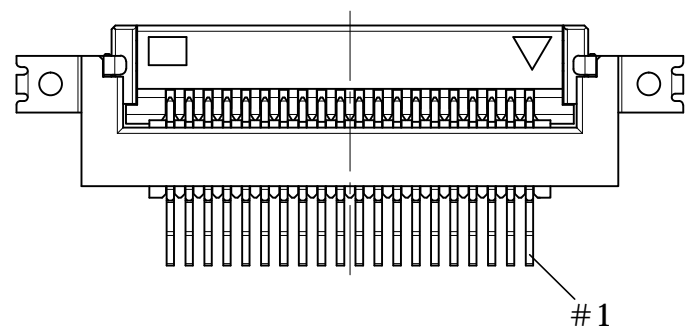
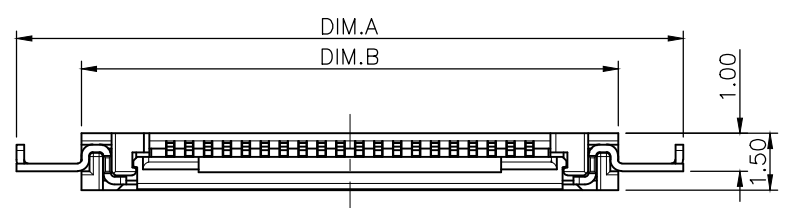


REV.	DESCRIPTION	DRAWN	DATE
1	INITIAL RELEASE	Willis	2012/08/03
2	Revised frame & list	Fros	2015/10/12
3	Revised list	Fros	2016/07/18



FPC Top contact



4	HOLD DOWN	BRASS C2680R-H, GOLD FLASH OVER 50~ 150u" NICKEL PLATING
3	CONTACT	PHOSPHOR BRONZE C5191R-H, SELECTIVE GOLD ON CONTACT AREA AND GOLD FLASH OVER 50u" MIN. NICKEL PLATING
2	SPACER	NYLON, UL94V-0, NATURAL
1	INSULATOR	LCP, UL94V-0, NATURAL
NO.	PART NAME	DESCRIPTION

UNLESS OTHERWISE SPECIFIED TOLERANCE

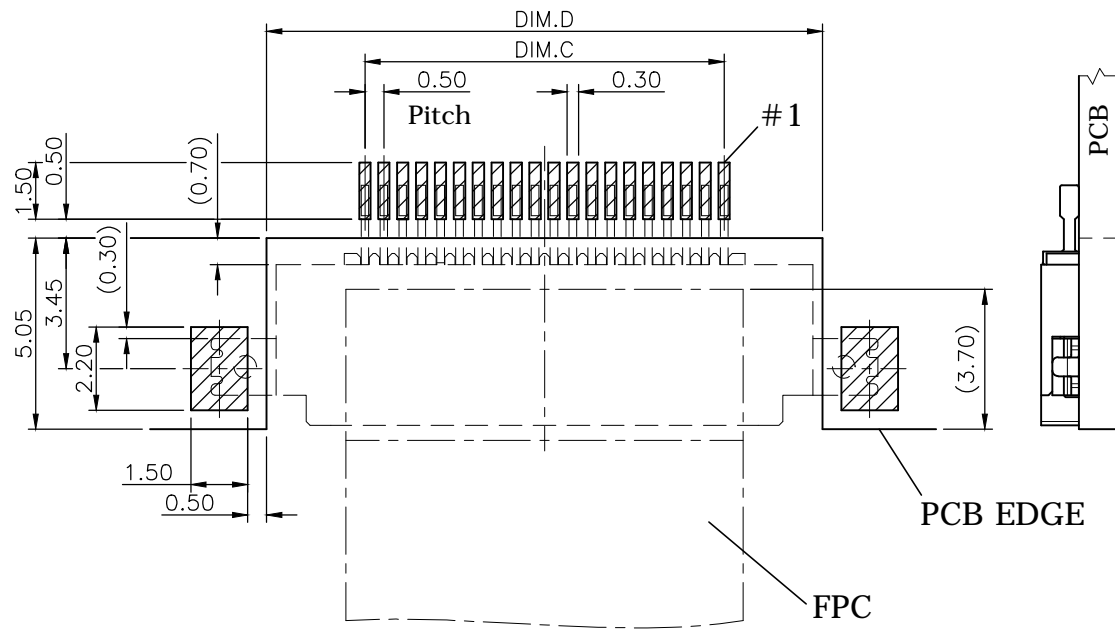
UNIT:	DECIMAL	LINEAR	ANGLES
mm	X.	±0.50	±5°
	X.X	±0.25	±3°
	X.XX	±0.12	±1°



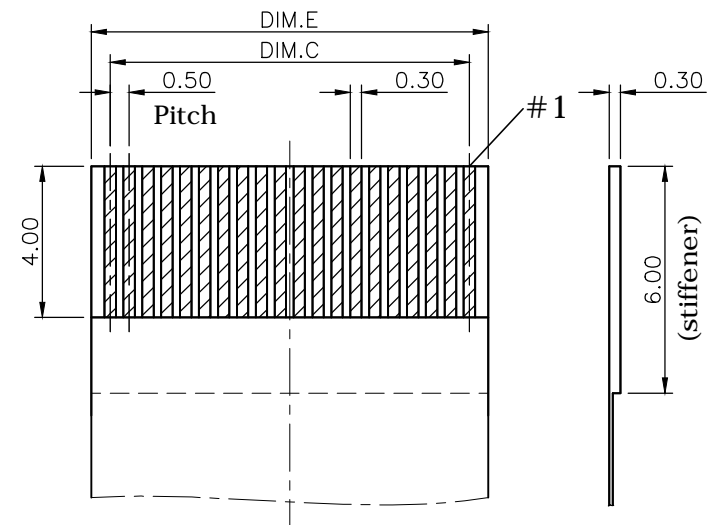
WWW.ATTEND.COM.TW

DRAWN	Fros	2012/08/03	DRAWN NAME:	FPC Connector, Middle Mount, Top Contact, Pitch 0.5, H1.5, Gold Flash	
CHECKED	Zola	2012/08/03	PRODUCT NO.	SEE SHEET 3, P/N TABLE	
APPROVED	Ken	2012/08/03	SCALE	5/1	
		SHEET	1/3	SIZE	A4
		FILE NAME	316B-XXXXA-R_B_3		


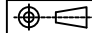
REV.	DESCRIPTION	DRAWN	DATE
	see sheet one		



**RECOMMENDED LAYOUT (TOP VIEW)**  
**GENERAL TOLERANCE: ±0.03mm**



**FPC LAYOUT**  
**GENERAL TOLERANCE: ±0.03mm**

UNLESS OTHERWISE SPECIFIED TOLERANCE				 WWW.ATTEND.COM.TW			
UNIT:	DECIMAL	LINEAR	ANGLES			DRAWN NAME: FPC Connector, Middle Mount, Top Contact, Pitch 0.5, H1.5, Gold Flash	
mm	X.	±0.50	±5°				PRODUCT NO. SEE SHEET 3, P/N TABLE
	X.X	±0.25	±3°				
	X.XX	±0.12	±1°				
DRAWN	Fros	2012/08/03	DRAWN NAME:				
CHECKED	Zola	2012/08/03	FPC Connector, Middle Mount, Top Contact, Pitch 0.5, H1.5, Gold Flash				
APPROVED	Ken	2012/08/03	PRODUCT NO. SEE SHEET 3, P/N TABLE				
 SCALE 5/1	SHEET 2/3	SIZE A4	FILE NAME	316B-XXAAA-R_B_3			

REV.	DESCRIPTION	DRAWN	DATE
	see sheet one		

POS.	DIM.A	DIM.B	DIM.C	DIM.D	DIM.E
5	10.13	6.70	2.00	7.20	3.00
6	10.63	7.20	2.50	7.70	3.50
7	11.13	7.70	3.00	8.20	4.00
△ 8	11.63	8.20	3.50	8.70	4.50
9	12.13	8.70	4.00	9.20	5.00
△ 10	12.63	9.20	4.50	9.70	5.50
11	13.19	9.70	5.00	10.20	6.00
12	13.63	10.20	5.50	10.70	6.50
13	14.13	10.70	6.00	11.20	7.00
△ 3 14	<del>14.63</del>	<del>11.20</del>	<del>6.50</del>	<del>11.70</del>	<del>7.50</del>
15	15.13	11.70	7.00	12.20	8.00
16	15.63	12.20	7.50	12.70	8.50
17	16.13	12.70	8.00	13.20	9.00
18	16.63	13.20	8.50	13.70	9.50
19	17.13	13.70	9.00	14.20	10.00
△ 20	17.63	14.20	9.50	14.70	10.50
21	18.13	14.70	10.00	15.20	11.00
22	18.63	15.20	10.50	15.70	11.50
23	19.13	15.70	11.00	16.20	12.00
24	19.63	16.20	11.50	16.70	12.50
25	20.13	16.70	12.00	17.20	13.00
26	20.63	17.20	12.50	17.70	13.50
27	21.13	17.70	13.00	18.20	14.00
28	21.63	18.20	13.50	18.70	14.50
29	22.13	18.70	14.00	19.20	15.00

POS.	DIM.A	DIM.B	DIM.C	DIM.D	DIM.E
△ 30	22.63	19.20	14.50	19.70	15.50
31	23.13	19.70	15.00	20.20	16.00
32	23.63	20.20	15.50	20.70	16.50
33	24.13	20.70	16.00	21.20	17.00
34	24.63	21.20	16.50	21.70	17.50
35	25.13	21.70	17.00	22.20	18.00
36	25.63	22.20	17.50	22.70	18.50
37	26.13	22.70	18.00	23.20	19.00
38	26.63	23.20	18.50	23.70	19.50
39	27.13	23.70	19.00	24.20	20.00
△ 40	27.63	24.20	19.50	24.70	20.50
41	28.13	24.70	20.00	25.20	21.00
42	28.63	25.20	20.50	25.70	21.50
43	29.13	25.70	21.00	26.20	22.00
44	29.63	26.20	21.50	26.70	22.50
45	30.13	26.70	22.00	27.20	23.00
46	30.63	27.20	22.50	27.70	23.50
47	31.13	27.70	23.00	28.20	24.00
48	31.63	28.20	23.50	28.70	24.50
49	32.13	28.70	24.00	29.20	25.00
△ 50	32.63	29.20	24.50	29.70	25.50
51	33.13	29.70	25.00	30.20	26.00
52	33.63	30.20	25.50	30.70	26.50
53	34.13	30.70	26.00	31.20	27.00
△ 54	34.63	31.20	26.50	31.70	27.50

P/N TABLE : 316B-X X A A A - R

Pin Count ————

316B-05AAA-R

↓

316B-54AAA-R


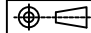
RoHS

Reel

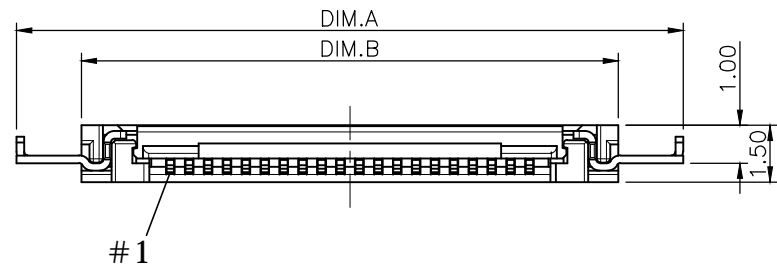
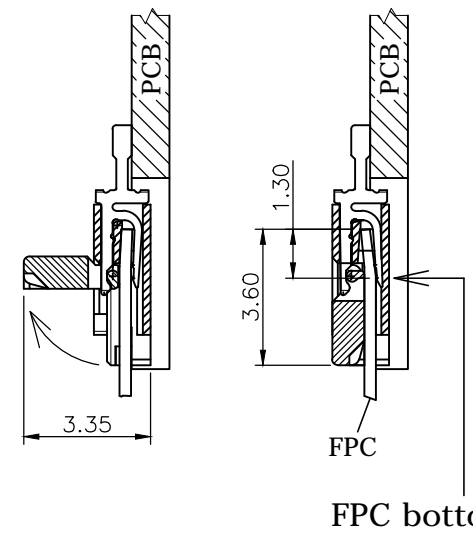
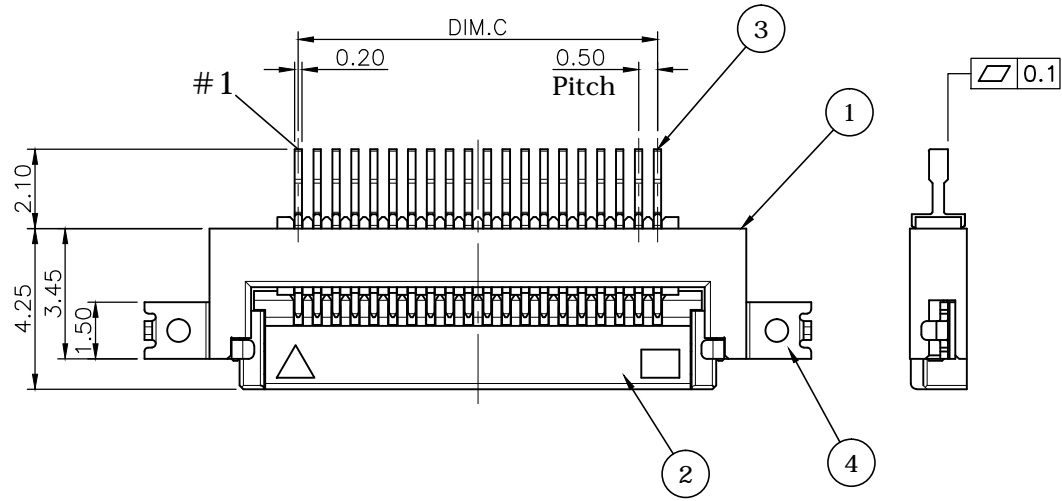
Gold Flash Plated

Top Contact

△ : the pins that are with mold and under mass production

UNLESS OTHERWISE SPECIFIED TOLERANCE				 WWW.ATTEND.COM.TW
UNIT:	DECIMAL	LINEAR	ANGLES	
mm	X.	±0.50	±5°	
	X.X	±0.25	±3°	
	X.XX	±0.12	±1°	
DRAWN	Fros	2012/08/03	DRAWN NAME: FPC Connector, Middle Mount, Top Contact, Pitch 0.5, H1.5, Gold Flash	
CHECKED	Zola	2012/08/03		
APPROVED	Ken	2012/08/03	PRODUCT NO. SEE TABLE	
	SCALE N/A	SHEET 3/3	SIZE A4	FILE NAME 316B-XXAAA-R_B_3

REV.	DESCRIPTION	DRAWN	DATE
1	INITIAL RELEASE	Willis	2012/08/03
2	Revised frame & list	Fros	2015/10/12
3	Revised list	Fros	2017/11/10




P/N TABLE :

316B-XX B A A - R

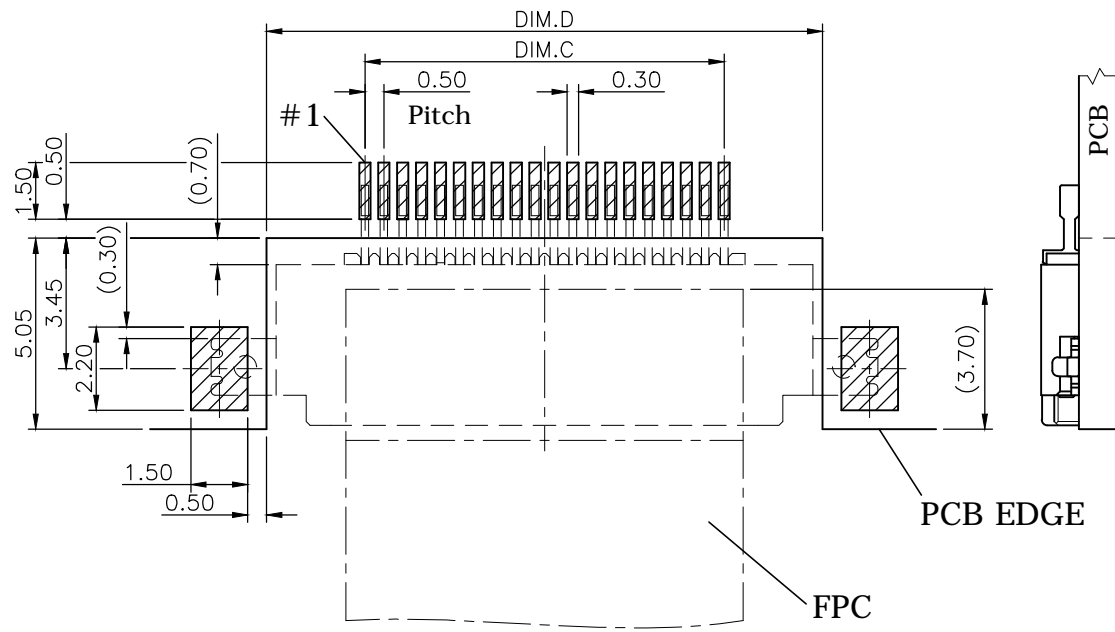
Pin Count (see sheet 3)

316B-05BAA-R

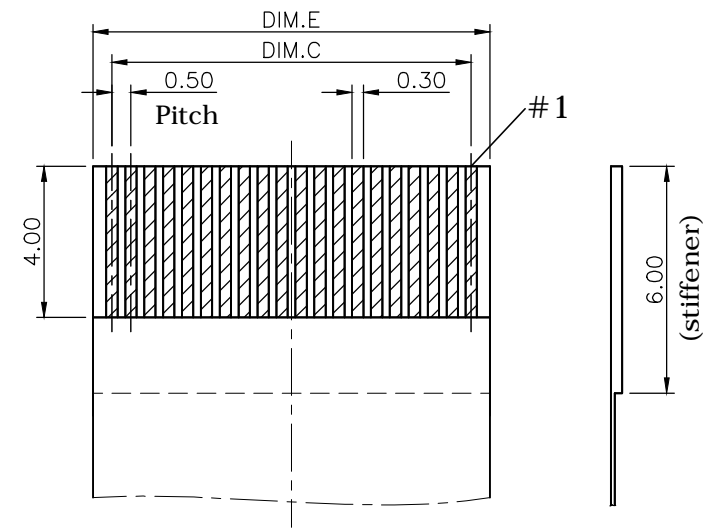
316B-54BAA-R

4	HOLD DOWN	BRASS C2680R-H, GOLD FLASH OVER 50~ 150u" NICKEL PLATING					
3	CONTACT	PHOSPHOR BRONZE C5191R-H, SELECTIVE GOLD ON CONTACT AREA AND GOLD FLASH OVER 50u" MIN. NICKEL PLATING					
2	SPACER	NYLON, UL94V-0, NATURAL					
1	INSULATOR	LCP, UL94V-0, NATURAL					
NO.	PART NAME	DESCRIPTION					
UNLESS OTHERWISE SPECIFIED TOLERANCE							
UNIT:	DECIMAL	LINEAR	ANGLES				
mm	X.	±0.50	±5°				
	X.X	±0.25	±3°				
	X.XX	±0.12	±1°				
 WWW.ATTEND.COM.TW							
DRAWN	Fros	2012/08/03	DRAWN NAME:				
CHECKED	Zola	2012/08/03	FPC Connector, Middle Mount, Bottom Contact, Pitch 0.5, H1.5, Gold Flash				
APPROVED	Ken	2012/08/03	PRODUCT NO. SEE TABLE				
SCALE	5/1	SHEET	1/3	SIZE	A4	FILE NAME	316B-XXBAA-R_B_2


REV.	DESCRIPTION	DRAWN	DATE
	see sheet one		



**RECOMMENDED LAYOUT (TOP VIEW)**  
**GENERAL TOLERANCE: ±0.03mm**



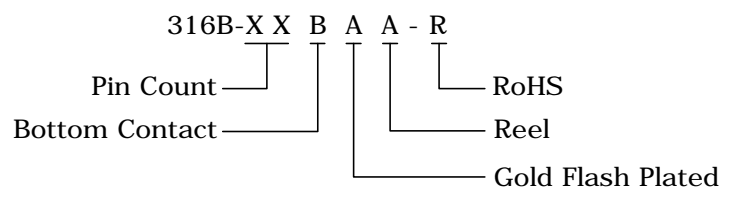
**FPC LAYOUT**  
**GENERAL TOLERANCE: ±0.03mm**

UNLESS OTHERWISE SPECIFIED TOLERANCE				 WWW.ATTEND.COM.TW		
UNIT:	DECIMAL	LINEAR	ANGLES			DRAWN NAME: FPC Connector, Middle Mount, Bottom Contact, Pitch 0.5, H1.5, Gold Flash
mm	X.	±0.50	±5°			
	X.X	±0.25	±3°			
	X.XX	±0.12	±1°			
DRAWN	Fros	2012/08/03	PRODUCT NO.	SEE TABLE		
CHECKED	Zola	2012/08/03	FILE NAME	316B-XXBAA-R_B_2		
APPROVED	Ken	2012/08/03	SCALE	5/1		
			SHEET	2/3		
			SIZE	A4		


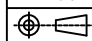
REV.	DESCRIPTION	DRAWN	DATE
	see sheet one		

POS.	DIM.A	DIM.B	DIM.C	DIM.D	DIM.E
5	10.13	6.70	2.00	7.20	3.00
6	10.63	7.20	2.50	7.70	3.50
7	11.13	7.70	3.00	8.20	4.00
△ 2 △ 8	11.63	8.20	3.50	8.70	4.50
9	12.13	8.70	4.00	9.20	5.00
△ 10	12.63	9.20	4.50	9.70	5.50
11	13.19	9.70	5.00	10.20	6.00
12	13.63	10.20	5.50	10.70	6.50
13	14.13	10.70	6.00	11.20	7.00
△ 3 △ 14	<del>14.63</del>	<del>11.20</del>	<del>6.50</del>	<del>11.70</del>	<del>7.50</del>
15	15.13	11.70	7.00	12.20	8.00
16	15.63	12.20	7.50	12.70	8.50
17	16.13	12.70	8.00	13.20	9.00
18	16.63	13.20	8.50	13.70	9.50
19	17.13	13.70	9.00	14.20	10.00
△ 20	17.63	14.20	9.50	14.70	10.50
21	18.13	14.70	10.00	15.20	11.00
22	18.63	15.20	10.50	15.70	11.50
23	19.13	15.70	11.00	16.20	12.00
24	19.63	16.20	11.50	16.70	12.50
25	20.13	16.70	12.00	17.20	13.00
26	20.63	17.20	12.50	17.70	13.50
27	21.13	17.70	13.00	18.20	14.00
28	21.63	18.20	13.50	18.70	14.50
29	22.13	18.70	14.00	19.20	15.00

POS.	DIM.A	DIM.B	DIM.C	DIM.D	DIM.E
△ 30	22.63	19.20	14.50	19.70	15.50
31	23.13	19.70	15.00	20.20	16.00
32	23.63	20.20	15.50	20.70	16.50
33	24.13	20.70	16.00	21.20	17.00
34	24.63	21.20	16.50	21.70	17.50
35	25.13	21.70	17.00	22.20	18.00
36	25.63	22.20	17.50	22.70	18.50
37	26.13	22.70	18.00	23.20	19.00
38	26.63	23.20	18.50	23.70	19.50
39	27.13	23.70	19.00	24.20	20.00
△ 40	27.63	24.20	19.50	24.70	20.50
41	28.13	24.70	20.00	25.20	21.00
42	28.63	25.20	20.50	25.70	21.50
43	29.13	25.70	21.00	26.20	22.00
44	29.63	26.20	21.50	26.70	22.50
45	30.13	26.70	22.00	27.20	23.00
46	30.63	27.20	22.50	27.70	23.50
47	31.13	27.70	23.00	28.20	24.00
48	31.63	28.20	23.50	28.70	24.50
49	32.13	28.70	24.00	29.20	25.00
△ 50	32.63	29.20	24.50	29.70	25.50
51	33.13	29.70	25.00	30.20	26.00
52	33.63	30.20	25.50	30.70	26.50
53	34.13	30.70	26.00	31.20	27.00
△ 54	34.63	31.20	26.50	31.70	27.50



△ : the pins that are with mold and under mass production

UNLESS OTHERWISE SPECIFIED TOLERANCE				 WWW.ATTEND.COM.TW	
UNIT:	DECIMAL	LINEAR	ANGLES		
mm	X.	±0.50	±5°		
	X.X	±0.25	±3°		
	X.XX	±0.12	±1°		
DRAWN	Fros	2012/08/03	DRAWN NAME:		
CHECKED	Zola	2012/08/03	FPC Connector, Middle Mount, Bottom Contact, Pitch 0.5, H1.5, Gold Flash		
APPROVED	Ken	2012/08/03	PRODUCT NO.	SEE TABLE	
 SCALE N/A		SHEET 3/3	SIZE A4	FILE NAME	316B-XXBAA-R_B_2