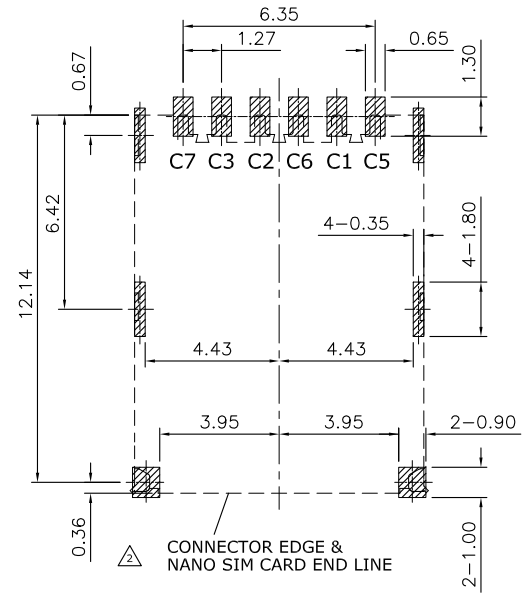
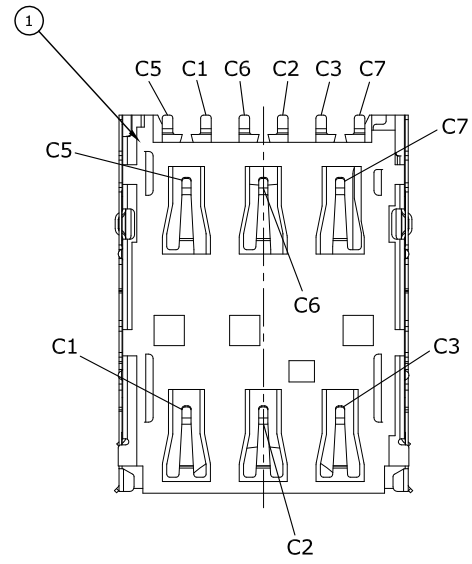
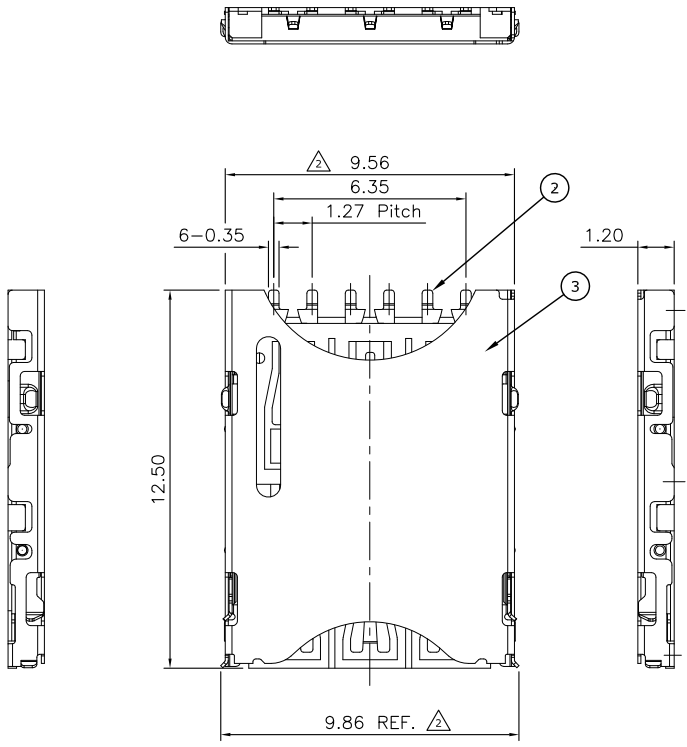


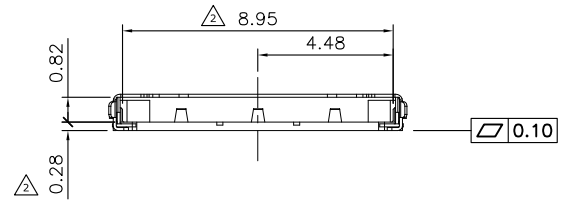
REV.	DESCRIPTION	DRAWN	DATE
1	INITIAL RELEASE	FROS	2015/01/30
2	REVISED SLOT DIMENSIONS	FROS	2015/03/10



SIM CARD PIN ASSIGNMENT

PIN	ASSIGNMENT
C1	Vcc
C2	RST
C3	CLK
C4	Reserved
C5	GND
C6	Vpp
C7	I/O
C8	Reserved

RECOMMENDED LAYOUT  
GENERAL TOLERANCE: ±0.05



3	SHELL	SUS304-H, 0.12T, Au/ Ni PLATING	
2	TERMINAL	C5210-EH, 0.12T, Au 5u" PLATING	
1	HOUSING	LCP GF30%, UL94V-0, BLACK	
NO.	PART NAME	DESCRIPTION	
UNLESS OTHERWISE SPECIFIED TOLERANCE			
UNIT:	DECIMAL	LINEAR	ANGLES
mm	X.	±0.50	±5°
	X.X	±0.25	±3°
	X.XX	±0.12	±1°
DRAWN: Fros 2015/01/30			
DRAWN NAME: 6P Nano SIM Socket, Push-Pull Type, 1.2H			
CHECKED	Ron	2015/01/30	
APPROVED	Albert	2015/01/30	
SCALE	SHEET	SIZE	FILE NAME
4/1	1/1	A4	NSIM001-A_B_2



WWW.ATTEND.COM.TW