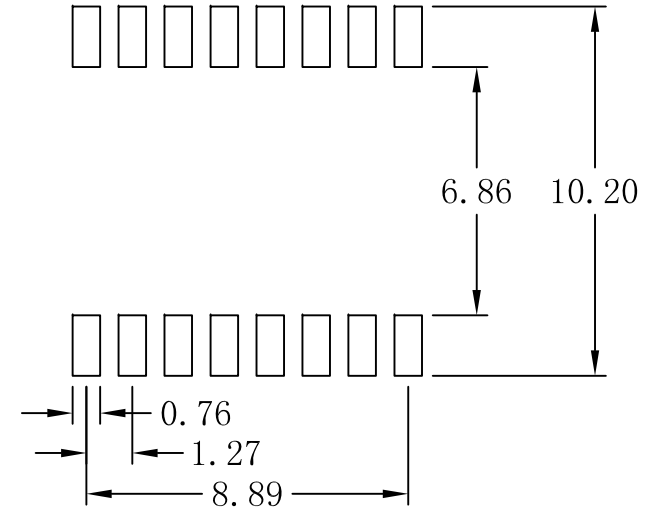
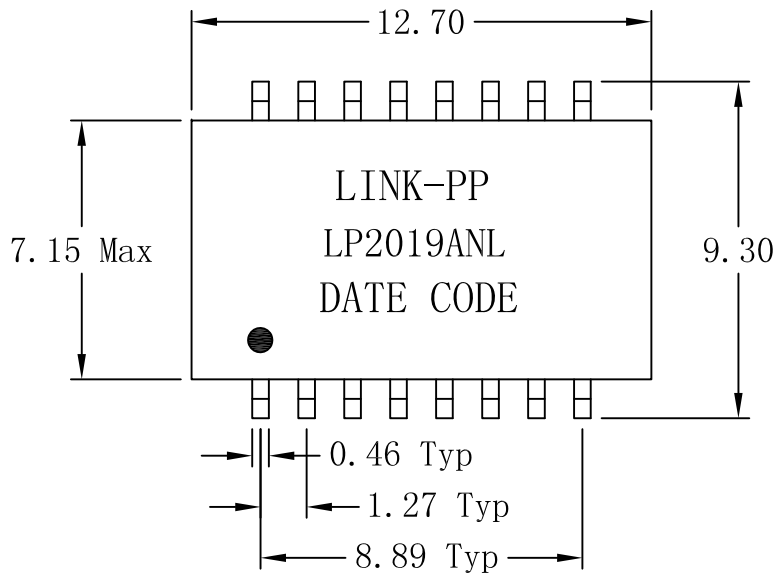
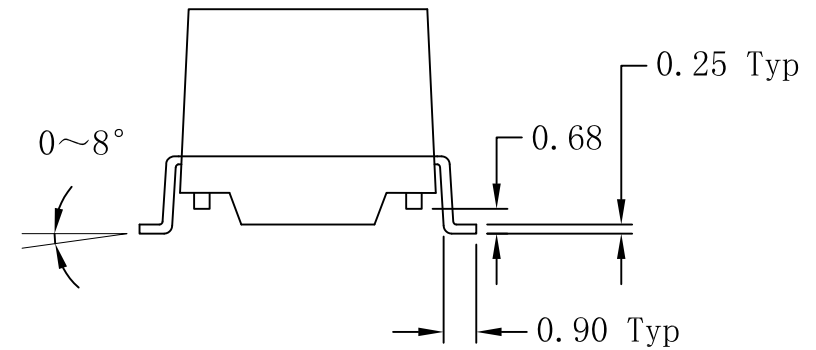
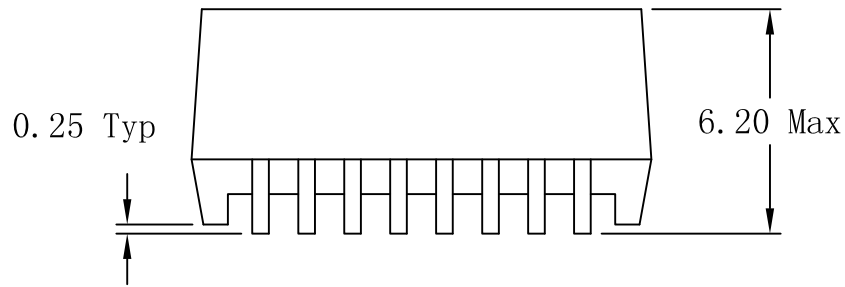


Mechanical :

| REV. | ECN NO. | DESCRIPTION | DATE | APPD |
|------|---------|-------------|------------|------|
| A | REL | | 05/06/2009 | |



SUGGESTED PAD LAYOUT



NOTES:

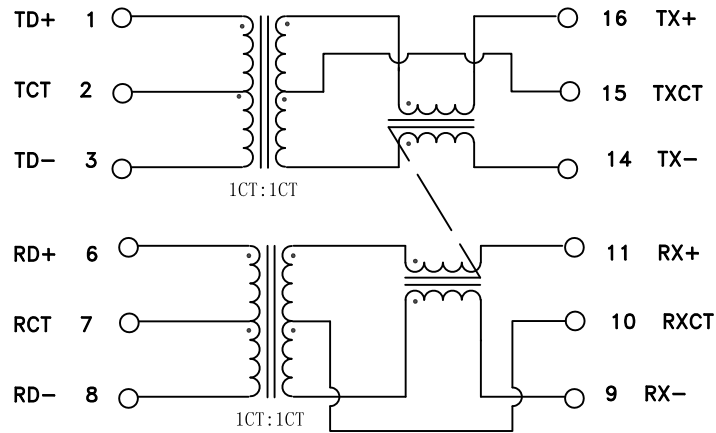
1. Designed to support application, such as SOHO (ADSL modems), LAN-on-Motherboard (LOM), hub and Switches.
2. Power over Ethernet (PoE) Magnetics
3. PoE applications current capability: 600mA.
4. With various Turns Ratios.
5. RoHS "NL" peak solder rating 250°C.

Dimensions: mm

Unless otherwise specified, all tolerances are ± 0.25

| | | | | |
|----------------------|------------|---|--------|----------------------|
| X:X | APPD: | LINK-PP INT'L TECHNOLOGY CO., LIMITED | | |
| X:XX | CHKD: | TITLE: 10/100Base-TX VoIP Magnetics Modules & POWER over ETHERNET (PoE) | | |
| X:XXX | DR: TOM | PART NO.: LP2019ANL | | |
| ANGLES $\pm 1^\circ$ | UNIT: mm | | | |
| | SCALE: 2/1 | SHEET: 2/2 | REV: A | DWG NO.: TRC09060503 |

Schematic:



| REV. | ECN NO. | DESCRIPTION | DATE | APPD |
|------|---------|-------------|------------|------|
| A | REL | | 05/06/2009 | |

Electrical Specification @25°C

- Turns Ratio:
TX=1CT:1CT RX=1CT:1CT
- Insertion Loss:
0. 1-100MHz:-1.0dB MAX
- Return Loss:
0. 1-30MHz:-18dB MIN
30-60MHz: -13dB MIN
60-80MHz:-12dB MIN
- Crosstalk:
0. 1-100MHz:-35dB MIN
- DCMR:
30MHz:-42dB MIN
60MHz:-36dB MIN
100MHz:-33dB MIN
- CMRR:
1-100MHz: -40dB TYP
- L: 1-3, 6-8:
350uH MIN 100KHz 0.1V 8mADC
- DCR: 1-3, 6-8: 0.9 OHM MAX
- LK:
1-3(Tie:16+14):0.5uH MAX 100KHz 0.1V
6-8(Tie:11+9): 0.5uH MAX 100KHz 0.1V
- Cw/w:
(1-3), (16-14):28pF MAX 100KHz 0.1V
(6-8), (11-9): 28pF MAX 100KHz 0.1V
- Isolation Voltage: 1500Vrms
- Operating Temperature: -40°C ~+85°C.



| | | | | |
|------------|------------|---|--------|--|
| X:X | APPD: | LINK-PP INT'L TECHNOLOGY CO., LIMITED | | |
| X:XX | CHKD: | TITLE: 10/100Base-TX VoIP Magnetics Modules & POWER over ETHERNET (PoE) | | |
| X:XXX | DR: TOM | PART NO.: LP2019ANL | | |
| ANGLES ±1° | UNIT: mm | DWG NO.: TRC09060503 | | |
| | SCALE: 2/1 | SHEET: 1/2 | REV: A | |