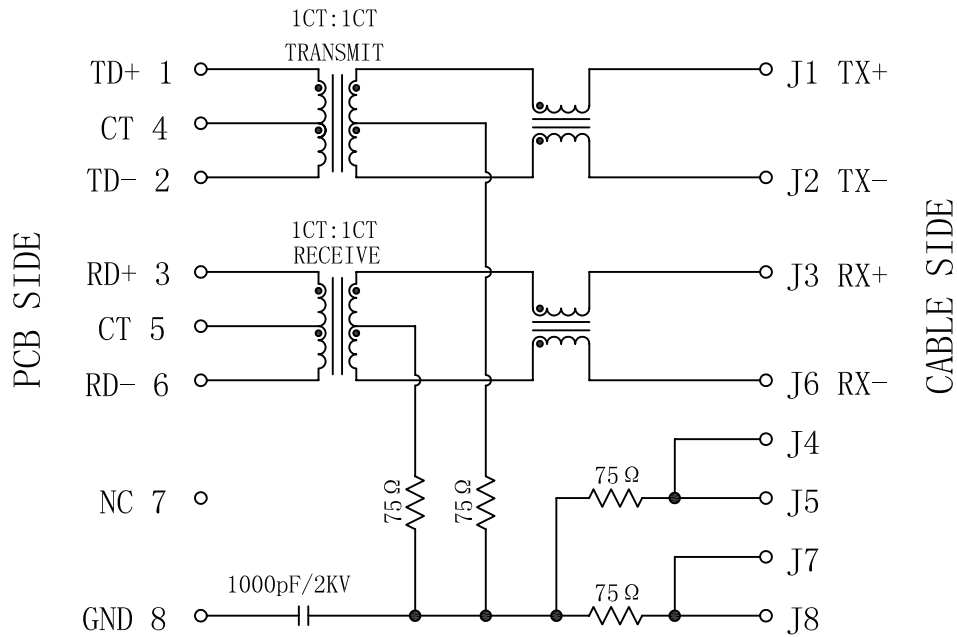


Schematic:

| REV. | ECN NO. | DESCRIPTION | DATE | APPD |
|------|---------|-------------|------------|------|
| A | REL | | 30/11/2007 | |



ELECTRICAL SPECIFICATIONS @25°C

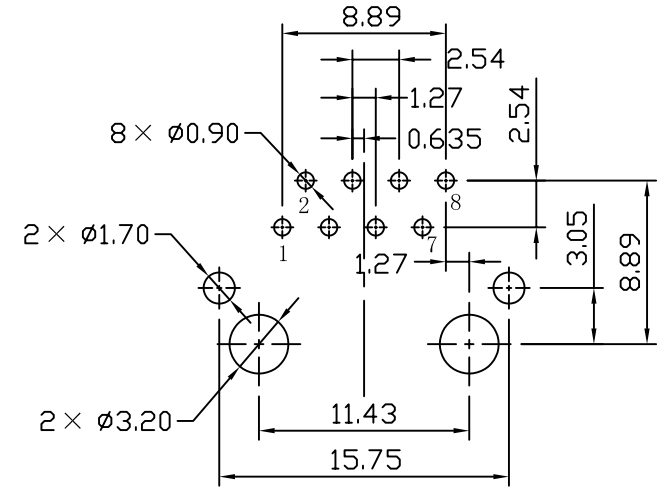
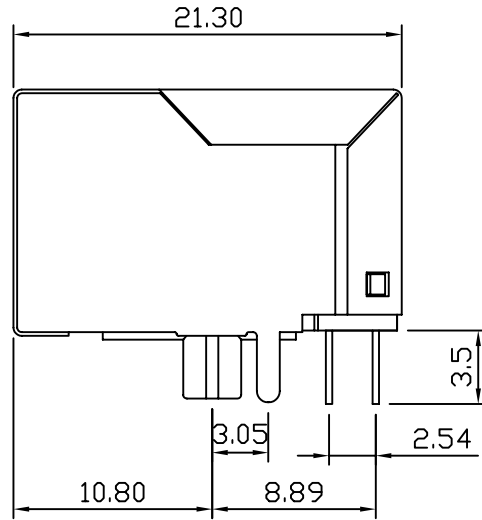
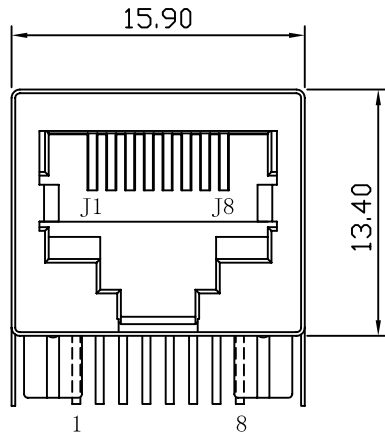
- Turn Ratio($\pm 2\%$):
TX=1CT:1CT RX=1CT:1CT
- Inductance OCL:
350uH MIN@100KHz/0.1V, 8mA DC Bias
- Insertion Loss:
-1.0dB MAX @ 1.0-65MHz
- Return Loss:
-20dB MIN @ 1-10MHz
-16dB MIN @ 10-30MHz
-12dB MIN @ 30-60MHz
-10dB MIN @ 60-100MHz
- Cross talk:
-40dB MIN @ 1-30MHz
-35dB MIN @ 30-60MHz
-30dB MIN @ 60-100MHz
- Common Mode Rejection:
-30dB MIN @ 1-50MHz
-20dB MIN @ 50-150MHz
- Hipot Test:1500Vrms MIN
- Operating Temperature Range:0°C TO 70°C



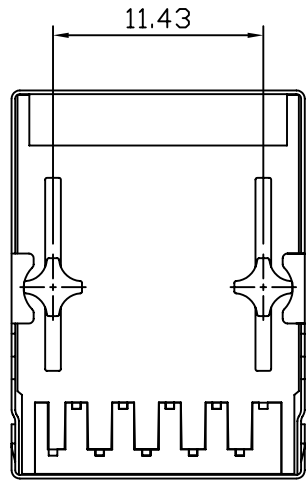
| | | | | |
|-------------|------------|---|--------|----------------------|
| X:X ±0.30 | APPD: | LINK-PP INT'L TECHNOLOGY CO., LIMITED | | |
| X:XX ±0.20 | CHKD: | TITLE: RJ45 Connector with 10/100 Base-T Integrated Magnetics | | |
| X:XXX ±0.05 | DR: TOM | PART NO. : LPJ0011DNL | | |
| ANGLES ±1° | UNIT: mm | | | |
| | SCALE: 2/1 | SHEET: 1/2 | REV: A | DWG NO. : LP07113006 |

Mechanical:

| REV. | ECN NO. | DESCRIPTION | DATE | APPD |
|------|---------|-------------|------------|------|
| A | REL | | 30/11/2007 | |



SUGGESTED PCB LAYOUT (TOP VIEW)



NOTES:

1. Designed to support application, such as SOHO (ADSL modems), LAN-on-Motherboard (LOM), hub and Switches.
2. Meets IEEE 802.3 specification
3. Connector Materials:
 Housing: Thermoplastic UL94V-0
 Contact/Shield: Copper alloy
 Shield plating: Nickel
 Contact plating: Gold 6 micro-inches min. In contact area.
4. Wave solder tip temperature: 265°C Max
 Wave solder tip temperature time: 5 Sec Max



| | | |
|-------------|------------|---|
| X:X ±0.30 | APPD: | LINK-PP INT'L TECHNOLOGY CO., LIMITED |
| X:XX ±0.20 | CHKD: | |
| X:XXX ±0.05 | DR: TOM | |
| ANGLES ±1° | UNIT: mm | TITLE: RJ45 Connector with 10/100 Base-T Integrated Magnetics |
| | | PART NO.: LPJ0011DNL |
| | SCALE: 2/1 | SHEET: 2/2 |
| | REV: A | DWG NO.: LP07113006 |