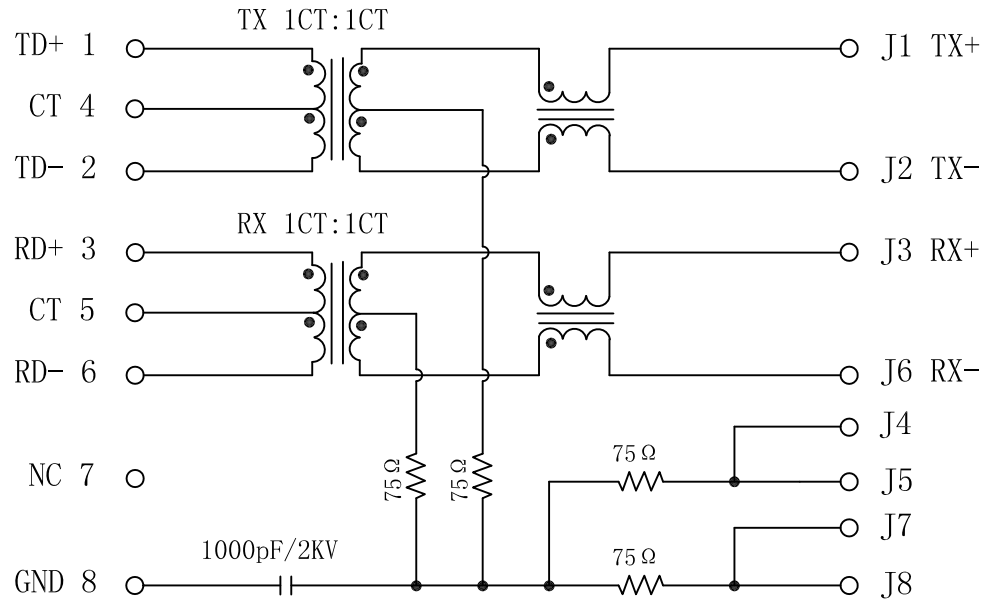


# Schematic:

REV.	ECN NO.	DESCRIPTION	DATE	APPD
A	REL		2010/07/02	



## Electrical Specification @25°C

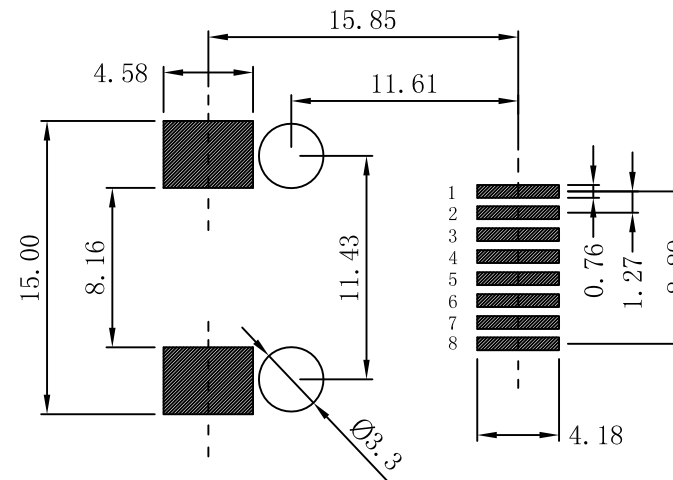
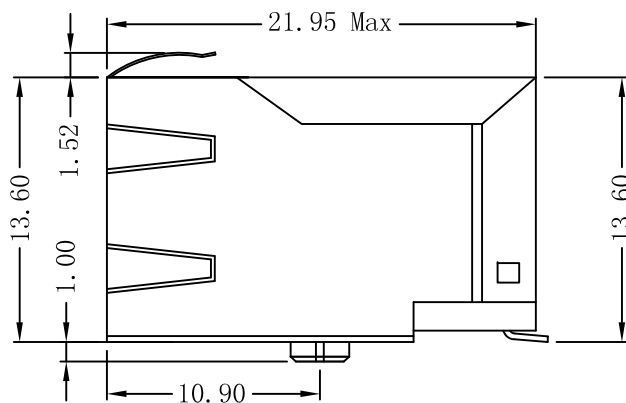
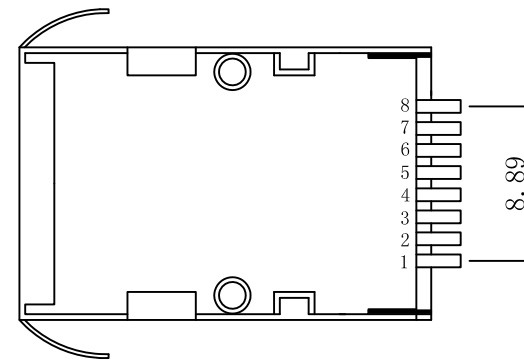
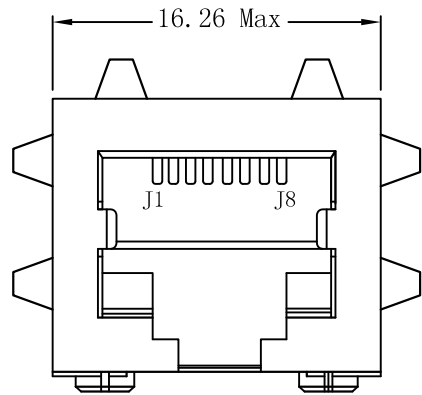
- Turns Ratio ( $\pm 2\%$ ):  
TX=1CT:1CT      RX=1CT:1CT
- OCL: 350uH Min  
@100KHz, 100mV, 8mADC
- Insertion Loss:  
1-65MHz:-1.0dB Max
- Return Loss(dB Min):  
1-10MHz:-18      30MHz:-14  
60-100MHz:-10
- Crosstalk(dB Min):  
1-60MHz:-35      60-100MHz:-30
- Common Mode Rejection:  
1-130MHz:-20dB Min
- Isolation Voltage: 1500Vrms
- Operating Temperature: 0°C~70°C.



X:X	$\pm 0.30$	APPD:	LINK-PP INT'L TECHNOLOGY CO., LIMITED	
X:XX	$\pm 0.25$	CHKD:	TITLE: Surface Mount 1x1 Tab-Down Jack with 10/100 Magnetic SMT	
X:XXX	$\pm 0.05$	DR: TOM	PART NO.: LPJ19111CNL	
ANGLES	$\pm 1^\circ$	UNIT: mm		
	SCALE: 2/1	SHEET: 1/2	REV: A	DWG NO.: LP10101506

# Mechanical :

REV.	ECN NO.	DESCRIPTION	DATE	APPD
A	REL		2010/07/02	



SUGGESTED PCB LAYOUT (TOP VIEW)

## NOTES:

1. Designed to support application, such as SOHO (ADSL modems), LAN-on-Motherboard (LOM), hub and Switches.
2. Meets IEEE 802.3 specification
3. Connector Materials:  
Housing: Thermoplastic UL94V-0  
Contact/Shield: Copper alloy  
Shield plating: Nickel  
Contact plating: Gold 6 micro-inches min. In contact area.
4. Wave solder tip temperature: 265°C Max  
Wave solder tip temperature time: 5 Sec Max



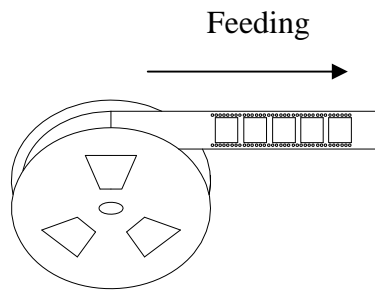
X:X	±0.30	APPD:	LINK-PP INT'L TECHNOLOGY CO., LIMITED
X:XX	±0.25	CHKD:	
X:XXX	±0.05	DR: TOM	TITLE: Surface Mount 1×1 Tab-Down Jack with 10/100 Magnetic SMT
ANGLES	±1°	UNIT: mm	PART NO.: LPJ19111CNL
	SCALE: 2/1	SHEET: 2/2	REV: A DWG NO.: LP10101506

# LINK-PP INT'L TECHNOLOGY CO.,LIMITED

## PACKAGING SPEC

Customer:	Customer P/N:	Date:	<b>2014-12-23</b>
Quantity:	LINK-PP P/N:	LPJ19111CNL	REV: <b>A</b>

### 1.Feeding direction:



L: 4100mm

### 2.Packing method and quantity:

1. Part number and Quantity should be marked on the reel
2. 120 pcs/reel , part number and quantity should be marked on the reel.
3. 6 reel (720 pcs)/box,part number and quantity should be marked on the box.

3.Measures of carton: L/W/H (cm) 38×38×38

### 4.Weight:

Net weight: 10KG

Gross weight: 11KG

MSL: level 3