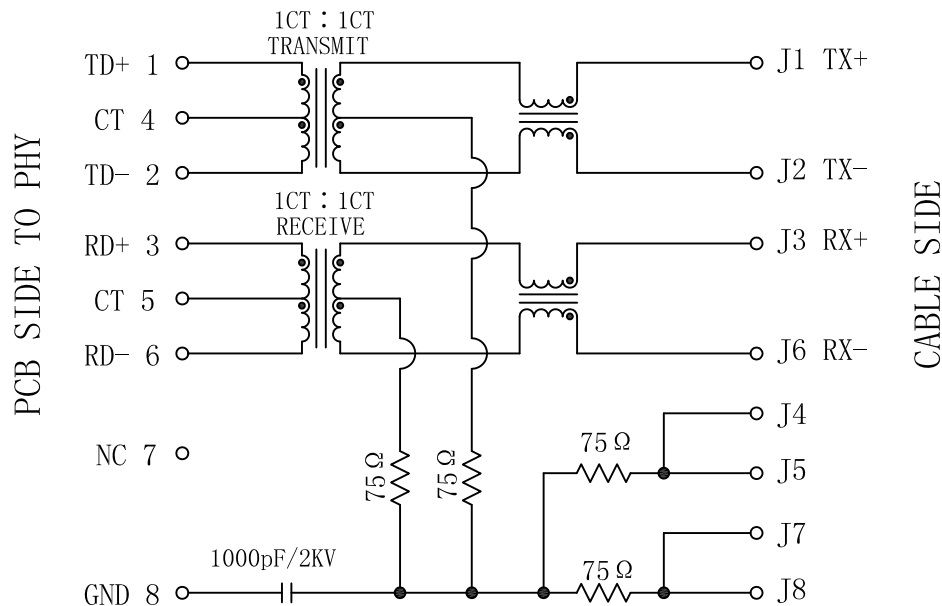


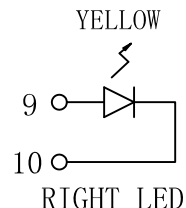
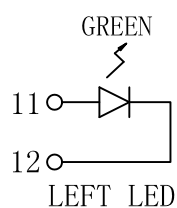
# Schematic:

REV.	ECN NO.	DESCRIPTION	DATE	APPD
A	REL		2011/01/24	



## ELECTRICAL SPECIFICATIONS @25°C

- Turn Ratio ( $\pm 2\%$ ):  
TX=1CT : 1CT      RX=1CT : 1CT
- Inductance OCL: 350uH MIN  
@100KHz, 0.1V, 8mA DC Bias
- Insertion Loss:  
-1.1dB MAX @ 0.1~100MHz
- Return Loss:  
-18dB MIN @ 0.5~30MHz  
-15.5dB MIN @ 40MHz  
-13.6dB MIN @ 50MHz  
-12dB MIN @ 60~80MHz
- Cross talk:  
-40dB TYP @ 0.1~100MHz
- Common Mode Rejection:  
-50dB TYP @ 0.1~30MHz  
-40dB TYP @ 30~60MHz  
-35dB TYP @ 60~100MHz
- Hipot Test: 1500Vrms MIN
- Operating Temperature: 0°C~70°C.

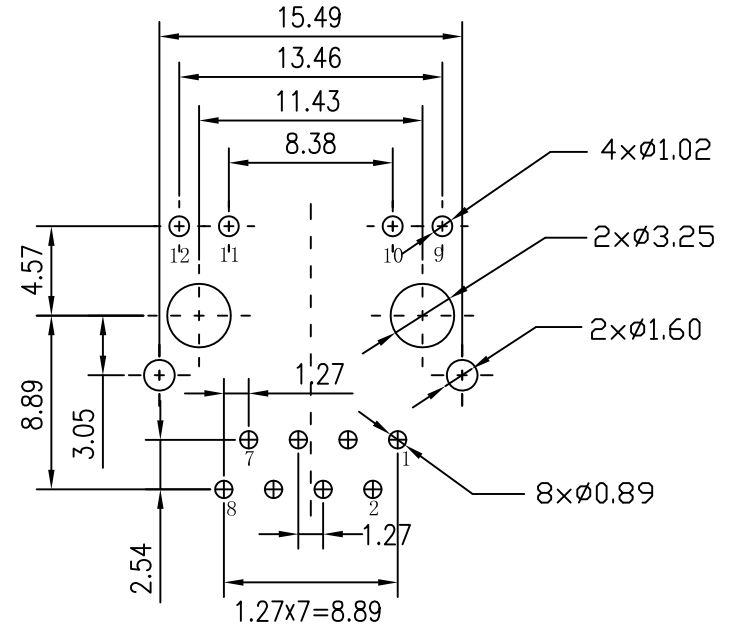
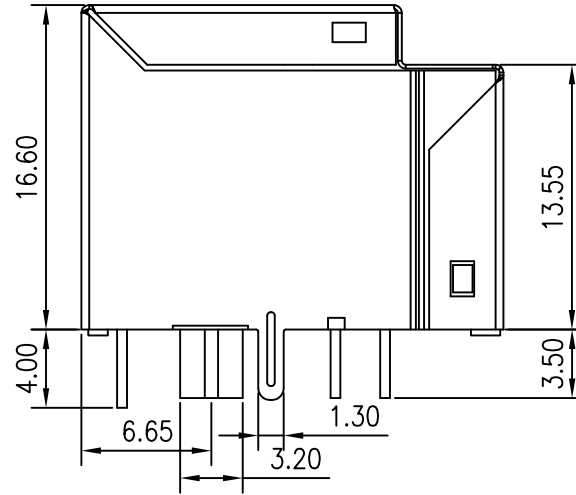
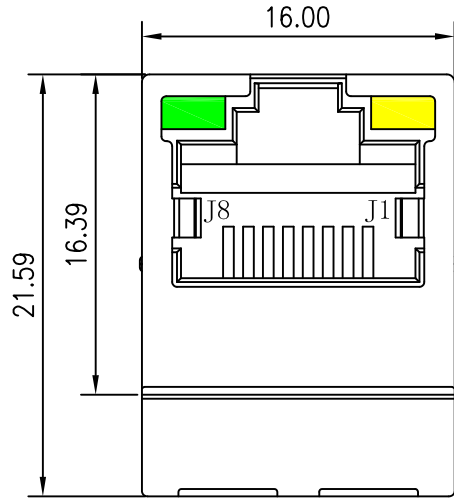


Emitting Color	$\lambda_p$ (nm)	V <sub>F</sub> @I <sub>F</sub> =20mA	I <sub>R</sub> @V <sub>R</sub> =5V
GREEN	565	1.8~2.6V	10 $\mu$ A max
YELLOW	585	1.8~2.6V	10 $\mu$ A max

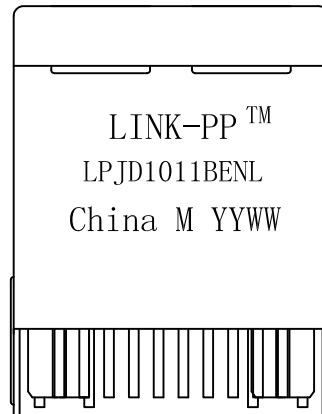
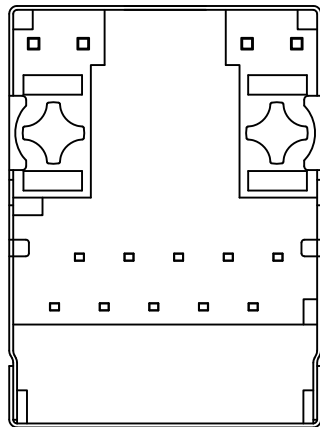


X:X	$\pm 0.30$	APPD:	LINK-PP INT'L TECHNOLOGY CO., LIMITED	
X:XX	$\pm 0.25$	CHKD:	Title: Vertical RJ45 Connector With 10/100 Magnetic	
X:XXX	$\pm 0.05$	DR: TOM	PART NO.: LPJD1011BENL	
ANGLES	$\pm 1^\circ$	UNIT: mm		
	SCALE: 2/1	SHEET: 1/2	REV: A	LP11012408

# Mechanical :



SUGGESTED PCB LAYOUT (TOP VIEW)



## NOTES:

1. Designed to support application, such as SOHO (ADSL modems), LAN-on Motherboard (LOM), hub and Switches.
2. Meets IEEE 802.3 specification
3. Connector Materials:  
 Housing Material: Thermoplastic PBT+30%G. F UL94V-0  
 Contact Material: Phosphor Bronze C5210R-EH Thickness=0.35mm  
 Pins: Brass C2680R-H Thickness=0.35mm  
 Shield: Copper alloy Brass H65Y Thickness=0.2mm  
 Contact plating: Gold 6 micro-inches Min. In contact area.
4. Wave solder tip temperature: 265°C Max, 5 Sec Max

X:X	±0.30	APPD:	LINK-PP INT'L TECHNOLOGY CO., LIMITED
X:XX	±0.25	CHKD:	
X:XXX	±0.05	DR: C. H. Y	TITLE: Vertical RJ45 Connector With 10/100 Magnetic
ANGLES	±1°	UNIT: mm	PART NO.: LPJD1011BENL
	SCALE: 2/1	SHEET: 1/2	REV: A DWG NO.: LP11012408