



### ■ ELECTRICAL SPECIFICATION

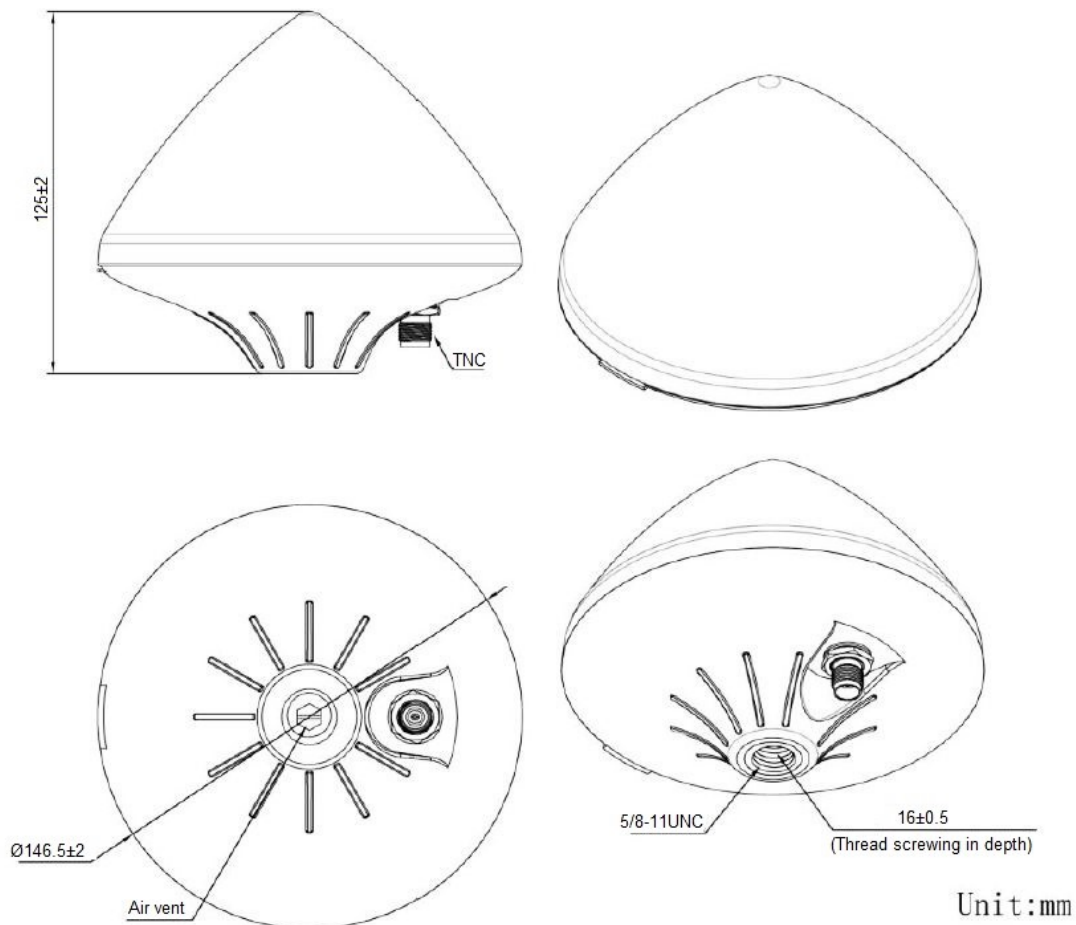
#### ANTENNA

PARAMETERS	VALUE	UNIT
Frequency Range	<b>GPS:</b> L1/L2/L5/L-Band	
	<b>GLONASS:</b> G1/G2/G3	
	<b>COMPASS:</b> B1/B2/B3	
	<b>Galileo:</b> E1/L1/E2/E5a/E5b/E6	
Polarization	RHCP	-
Axial Ratio, max	3	dB
VSWR, max	1.5	-
Peak Gain, min	5.5	dBi
Impedance	50	$\Omega$
Phase Center Error	$\pm 2$	mm
Horizontal Coverage Angle	360	$^{\circ}$
Connector	TNC-K	-
Radome Material	ABS	
Mounting Method	Screw	
Operating Temperature Range	-40 ~ +85	$^{\circ}\text{C}$
Relative Humidity, max	95	%
Ingress Protection (Exclude Air vent in screw hole)	IP67	-
Environmentally Friendly	RoHS Compliant	-

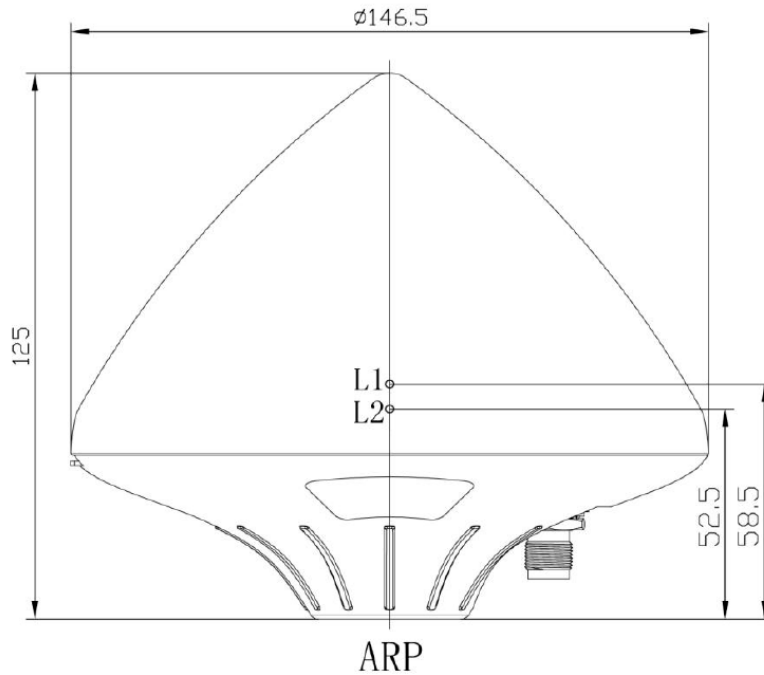
#### LNA

PARAMETERS	VALUE	UNIT
Gain	$40 \pm 2$	dB
Noise Figure, max	1.5	dB
Passband Fluctuation	$\pm 1.5$	dB
Supply Voltage	3 ~ 12	VDC
Current Consumption, max	50	mA
VSWR, max	2.0	-

### MECHANICAL SPECIFICATION



■ ANTENNA REFERENCE POINT & PHASE CENTER



Mechanical Offsets Units in “mm”

■ APPROVAL

RALTRON	
DRAWN BY:	AR, July 03, 2019
APPROVED BY:	CP, July 03, 2019
REVISION:	A, Initial Release

Raltron Electronics / RAMI Technology USA, LLC, including its affiliates, employees, agents and other persons acting on its behalf (collectively Raltron/RAMI Tech), disclaim any and all liability for any errors or inaccuracies contained in this data sheet. While Raltron/RAMI Tech has made every reasonable effort ensure the accuracy of all product information, specifications and data contained herein, Raltron/RAMI Tech does not guarantee that the information is accurate, reliable or current. The product information is provided only for reference purposes only and is subject to change, correction or revision, at any time without notice. Raltron/RAMI Tech does not assume any liability arising out of an application or use of any product described herein and disclaims any warranties expressed or implied. The user of products in such applications shall assume all risks of such use and will agree to hold Raltron/RAMI Tech, harmless against all damages.

Copyright © 2016, Raltron Electronics / RAMI Technology USA, LLC. All rights reserved. No part of this document may be reproduced in any form without the prior written permission of Raltron Electronics / RAMI Technology USA, LLC.