



Solutions

Conventional Energy

Conventional Energy

Solutions for



Power plants and substations

Generator sets

Large and heavy industries

Commercial buildings

Residential buildings

ABOUT CARLO GAVAZZI

Carlo Gavazzi Automation is a multinational electronics group active in the design, manufacture and marketing of electronic equipment targeted at the global markets of industrial and building automation.

Our history is full of firsts and our products are installed in a huge number of applications all over the world. With more than 80 years of successful operation, our experience is unparalleled.

We have our headquarters in Europe and numerous offices around the world.

Our R&D competence centres and production sites are located in Denmark, Italy, Lithuania, Malta and the People's Republic of China.

We operate worldwide through 22 of our own sales companies and also selected representatives in more than 65 countries, from the United States in the West to the Pacific Rim in the East.

Our core competence in automation spans three product lines: Sensors, Switches and Controls.

Our wide range of products includes sensors, monitoring relays, timers, energy management systems, solid state relays, safety devices and fieldbus systems.

We focus our expertise on offering state-of-the-art product solutions in selected market segments.

Our customers include original equipment manufacturers of packaging machines, plastic-injection moulding machines, food and beverage production machines, conveying and materials handling equipment, door and entrance control systems, lifts and escalators, as well as heating, ventilation and air-conditioning devices.



DESIGNED TO MEET MARKET REQUIREMENTS

Energy has always been a crucial element of human life, economic growth and technological progress. Until recently, its reserves have seemed endless. Today this is no longer the case. To achieve the objectives of better provision and use of energy it is fundamental to meet the needs of today, optimising them without compromising the ability of future generations to satisfy their own needs.

More and more the best use of resources, power control and reduction and optimization of consumption are playing a decisive role in contemporary geopolitics and industrial development.

Therefore a well considered use of energy from different sources is not only possible, but absolutely necessary.

Carlo Gavazzi is one of the first companies to deal with this, providing a complete series of meters to measure and analyse the power distributed across the network and to predict and calculate the related energy consumption. We provide comprehensive solutions for energy monitoring, metering and management, utilising many years of experience and multinational expertise.

Carlo Gavazzi's products for applications in the conventional energy market comprise energy meters, power quality and energy analyzers, current-voltage-frequency monitoring relays, digital panel meters, timers and current

transformers. The range is completed with energy monitoring systems. The accurate measurement of energy consumption (by MID certified energy meters) provides billing information for operators who are sub-billing the energy. The energy analyzers help the operators to identify consumption trends and take corrective action. The power quality analysis improves on-site efficiency and eases negotiation with utility companies.

Without doubt Carlo Gavazzi makes a major contribution to optimising energy use in residential and commercial buildings and in all kinds of industries and infrastructures, improving efficiency, saving costs and reducing CO₂ emissions.

Conventional Energy

Power plants and substations



Power analyzers

WM15

Power transducers

CPT-DIN

Power quality analyzers

**WM40
WM30
WM20**

Web servers

UWP 3.0

Carlo Gavazzi offers solutions for any size of power plant. In the case of mini- or micro-hydroelectric systems, a full control solution is available using our wide power analyzer range, while the mechanical variables can be monitored by relays and digital panel meters. The most basic plants are equipped with a

monitoring relay, such as the DPD02, which controls both the voltage and the frequency levels at the same time. The more advanced plants add the monitoring of the alternator temperature by means of the DTA72 or DTA04 and of the reservoir water level by means of the DLA71, which can control the water

acting on the pumps or on the motors of the floodgates, to empty them or fill them to the right level. The water flow or any other process variables, can also be monitored and displayed, correctly scaled in the original engineering unit, by means of the UDM40, belonging to the Digital Panel Meters family.

When the plant is privately owned, production needs to be measured by a certified meter, in order to be correctly paid by the public grid authorities.

The WM15 with MID certification is the right solution and can be connected to the same serial bus of the above-mentioned control devices in order to allow complete remote-plant supervision. Medium and large power





Web servers

Current transformers

Monitoring relays

Timers

Digital panel meters

Em²-Server

**CTD
TADK**

**DLA71
DTA/PI-DIN
DPC02/DPC72**

**DAA
DMB
HAA**

**UDM40
USC**

plants (hydro, thermal, nuclear), as well as substations, are controlled by sophisticated DCSs, whose electrical input data (relevant to the different systems composing the whole plant) can be provided by Carlo Gavazzi's power quality analyzers, such as the WM20, WM30 or WM40 via the serial port, by using the Modbus RTU or TCP protocol, or through an OPC server. If communication is interrupted for any reason, the WM40 can, if required, be equipped with a datalogger module, allowing the system to recover the missing information.

The flexible and comprehensive ability of these meters to manage the information and convert it into alarms or warnings -

thanks to their PLC-like AND/OR logic - allows money and space to be saved, as all the features of any additional components are implemented in our hardware. When dealing with single distribution-gear, control-gear or switch-gear (present not only in generation facilities but also in production sites

and other infrastructures), whereas in the past 3 analogue ammeters and a voltmeter (whose input was selected by a rotary switch) were used, the target is to replace these with a single multifunction meter or more high-performing digital meters. This results in the saving of both space and money.



Conventional Energy

Generator sets



**Energy
analyzers**

**EM210
EM210 MV**

**Power
analyzers**

WM15

**Power/energy
transducers**

**ET340/ET330
ET112
CPT-DIN**

**Power
quality
analyzers**

**WM20
WM30
WM40**

**Web
servers**

**UWP 3.0
Em²-Server**

**Monitoring
relays**

**DPD02/DTA
DPC72/PI-DIN**

**DC
UPS**

**SPUBC
SPUC**

Generator sets must offer reliability, low maintenance and long life wherever they are installed: construction sites, infrastructures, industries, agriculture. In generator sets it is necessary to measure, display and control all the main variables relevant to the power produced, including harmonic distortion.

The "Advanced" version of the 3-phase power analyzer WM14-DIN and of the correspondent transducer model CPT-DIN, are the optimum for this application. The PLC-type alarm control on 16 variables allows the anomalies to be divided into two groups: critical problems (phase loss, under-voltage, frequency, with OR logic) can

automatically lead to the disconnection of the generator set, with a horn or lamp warning; non-priority anomalies can be transmitted to the supervisor system via the serial port.

The WM14 and CPT "Advanced" give the possibility of counting the generation hours and to monitor different parameters (from the current to harmonic distortion), also storing the peak and trough values. The most critical gen-set applications need an even more sophisticated control system: the modular power quality analyzers carry out this task perfectly, also with data-logging capabilities in the case of the WM40.

When all the control functions are carried out by the supervisory system, the ET energy transducers are the ideal solution to retransmit via Modbus all the electrical variables and energy data.

The frequency and/or voltage of the simplest generators can be monitored with the precise and NFC programmable DPD02 relays. Generator temperature can be monitored with the DTA series, whilst co-generation systems, which feed the public grid need "Interface Protection". DPC72 and PI-DIN0126 are approved according to specific National Grid standards and can be used for interface protection.

Large and heavy industries



Energy analyzers	Analyzers and power transducers	Power quality analyzers	Web servers	Monitoring relays	Timers	Contactless power analyzers
------------------	---------------------------------	-------------------------	-------------	-------------------	--------	-----------------------------

EM24 DUPLINE®	WM15 CPT-DIN	WM40 WM30 WM20	UWP 3.0 Em²-Server	DPA51 DPB52 DIA/DIB	DMB/DAA FMB/FAA	CPA050 CPA300
----------------------	-------------------------	-------------------------------	--	------------------------------------	----------------------------	--------------------------

In the large and heavy industry markets, as well as in airports, or other large installations, it is important to have effective control of the mains, since medium voltage systems and high currents are involved. Because of the type of loads, a low level of harmonics is crucial to allow the installation to work in a correct and reliable way. The solution proposed by Carlo Gavazzi involves two modular series of power quality analyzers, which can be tailored according to requirements, offering many I/O combinations with PLC-like AND/OR logic, serial, Ethernet, or optical ports, different protocols (such as Modbus, BACnet, Profibus or Ethernet/IP), integrated data logger, harmonic

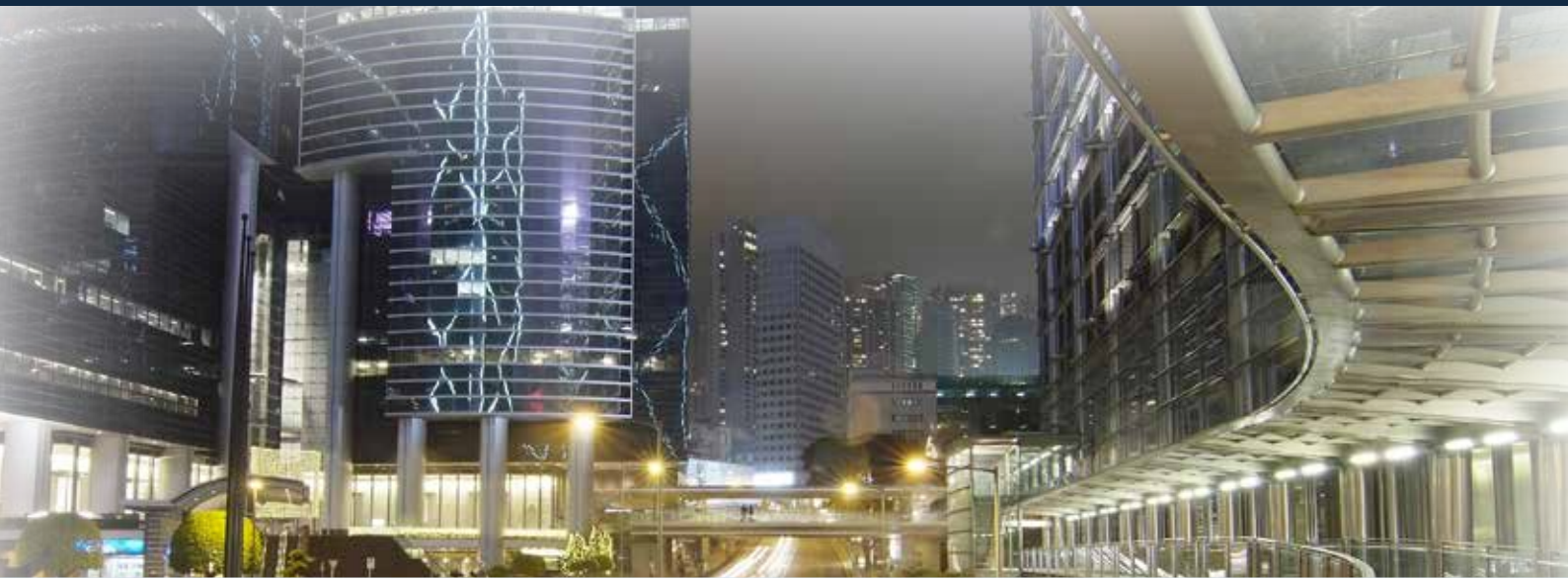
analysis and multi-tariff management. All this can be integrated into any SCADA or BMS system or managed by our monitoring solution, UWP 3.0: it allows all the installation parameters to be monitored and controlled by a local or remote (via e-mail or SMS) warning to the maintenance staff. By means of its logging and analysis functions, the operator is able to program regular maintenance or to introduce additional maintenance. Nowadays all manufacturing companies need to have a cost control system in their production sites. Efficient cost allocation can be achieved by using power analyzers such as the WM15, which provides all the data from each department.

Cost and consumption forecasts are also available, in a user-friendly way, even in the case of multi-site applications, by using the UWP 3.0, which pushes the data to a Em²-Server, able to aggregate and centralise all the information in the main control area.

Carlo Gavazzi meters and analyzers can be used in combination with the Dupline® fieldbus, achieving the ideal solution in very noisy industrial plants, by exploiting the robustness of the Dupline® bus when compared with the traditional serial communication buses. The CPA family is the ideal solution to be used in industrial processes in order to monitor AC or DC variables.

Conventional Energy

Commercial buildings



Energy meters / analyzers	Power analyzers	MID energy analyzers	Quick-fit energy analyzers	Web servers	MBUS concentrators/ pulse counter	DC UPS
---------------------------	-----------------	----------------------	----------------------------	-------------	-----------------------------------	--------

**EM340/EM330
EM110/EM111
EM112
EM210 MV**

WM15

**EM24
EM24 DUPLINE®
EM26**

**EM280
EM270/EM271
TCD**

**UWP 3.0
Em²-Server**

**SIU-MBM-01
SIU-MBM-02
SIU-MBC-XX**

**SPUBC
SPUC**

Deregulation in the energy market and the constant increase in electrical energy costs have led to a fast growing demand for fiscal metering.

A flat rate of energy consumption for each shop in a shopping mall, or for each tenant in a residential building, has become unacceptable: either the provider or the user could lose money, so both of them require a "certified" value of energy used. In 2006 the European Union released a Measuring Instrument Directive (called MID, revised in 2014), involving a number of metering issues.

The scope of this directive was to guarantee users a high level of safety and reliability in the measuring instruments, protected against data corruption,

whilst at the same time ensuring the free circulation of certified measuring instruments within the EU.

For years Carlo Gavazzi has been providing a whole range of MID-certified energy meters, for all requirements in any 1-phase or 3-phase application, either by direct current measurement or by current transformers. These range from the simple, compact single phase EM110 and EM111 up to the advanced EM24 and WM15 for 3-phase systems. Carlo Gavazzi is one of the first energy meter manufacturers to have an internal MID-approved Test Laboratory, from which the meters are supplied, certified and sealed, ready for installation.

Thanks to the SIU-MBM gateways, it is now possible to put together measured data from MBUS meters, wireless MBUS meters and environmental sensors.

Via wireless MBUS the SIU-MBC pulse counter transmits the result of the totalized pulse inputs from indoor and outdoor utility meters, while EM24_W1 is the first meter on the market having an embedded antenna for wireless M-bus data retransmission, with MID certification.

All the data can be aggregated and therefore analysed and shared among the tenants using the new web-server solutions for energy management: UWP 3.0 and Em²-Server.

Residential buildings



Retrofit energy analyzer

EM210 MV

MID energy meters

**EM330/EM340
EM110/EM111
EM112**

MID energy analyzers

**EM24 DUPLINE®
EM26**

Split-core CTs

CTA

Quick-fit energy analyzers

**EM280
EM270/EM271
TCD**

Web servers

**UWP 3.0
Em²-Server**

**MBUS concentrators/
pulse counter**

**SIU-MBC-XX
SIU-MBM-01
SIU-MBM-02**

In new constructions, it is absolutely essential to achieve maximum energy efficiency and to avoid situations where a load (a fan, a light or a heating system) is working whenever is not needed. This is also the goal of building automation systems. Carlo Gavazzi offers its energy management products, connected to the Dupline® field- and installation-bus, together with its home automation system, as a unique control solution capable of transmitting multiple digital and analogue signals over long distances via the Dupline® 2-wire bus. The controller connects to Carlo Gavazzi energy meters via Modbus RS485, and Dupline® pulse count input modules are also available as a general solution for interfacing with

meters measuring consumption of energy, water, gas, heat etc.

However, it is a different situation when dealing with old buildings which are completely lacking in building automation or in monitoring systems.

In this case the best and cheapest solution is retrofitting the various switch gears with the implementation of a specifically developed energy measuring system, like the EM210 MV and EM271 "Retrofit" versions.

CTA are split core current transformers, allowing to easily retrofit any installation by any meter with 5A inputs.

By using these energy meters, it is possible to obtain the current measurement simply by installing the split-core current sensors onto the wires, without disconnecting them

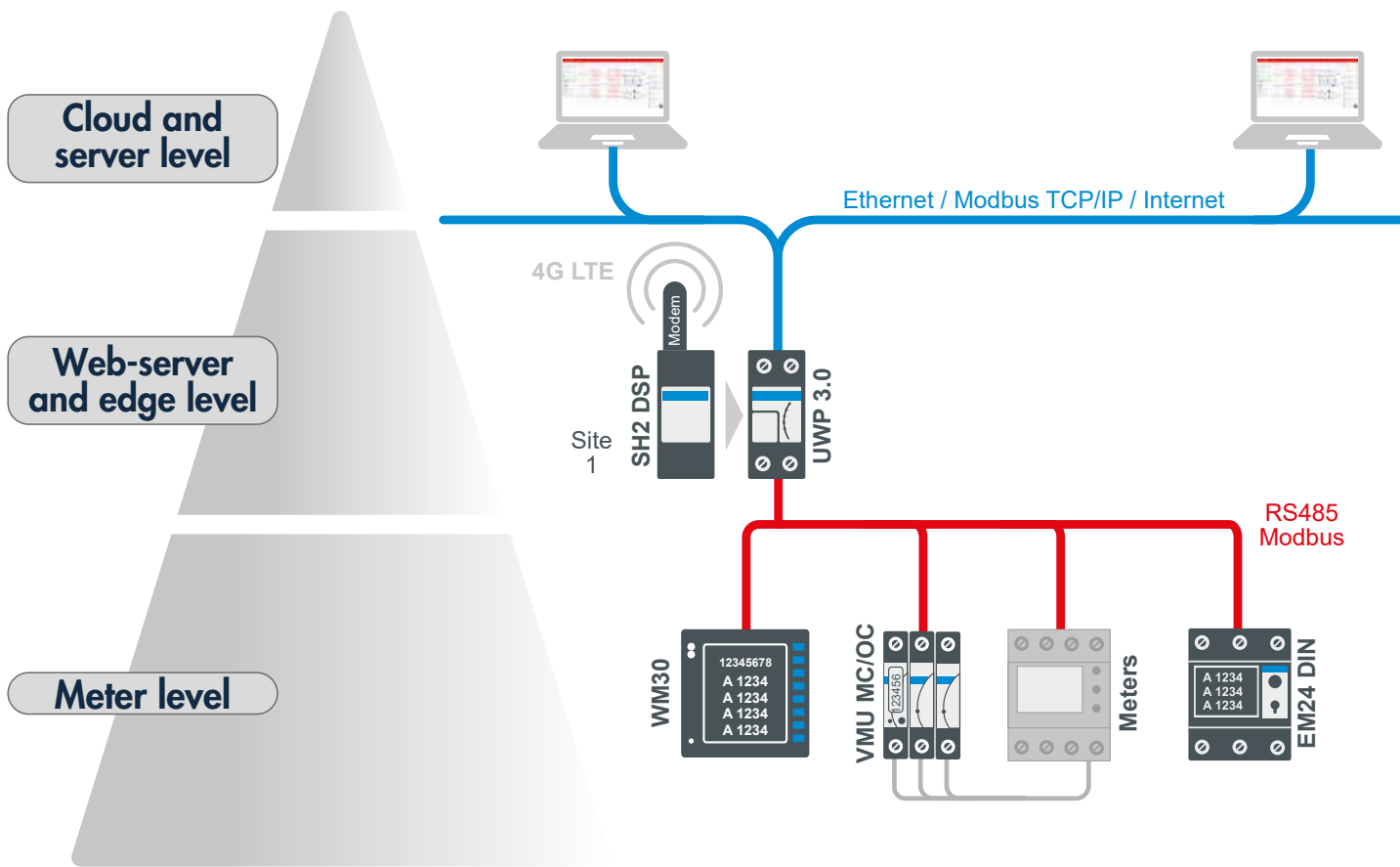
or switching off the mains.

The meter can be mounted in any type of panel frame, being extremely compact and suitable both for panel mounting (72x72 mm) and for DIN-rail mounting (only 4-DIN modules).

When several loads are to be controlled, the EM270 and the EM280 energy meters provide a complete monitoring solution, which is very compact and easily installed, saving 90% of the installation time when compared to a traditional monitoring system.

In new installations, the EM100/300 series provides different metering solutions, both 1- and 3-phase, and different communication capability on-board, including Modbus and M-bus protocols.

Conventional Energy Diagrams



UWP 3.0 in an Energy Monitoring structure

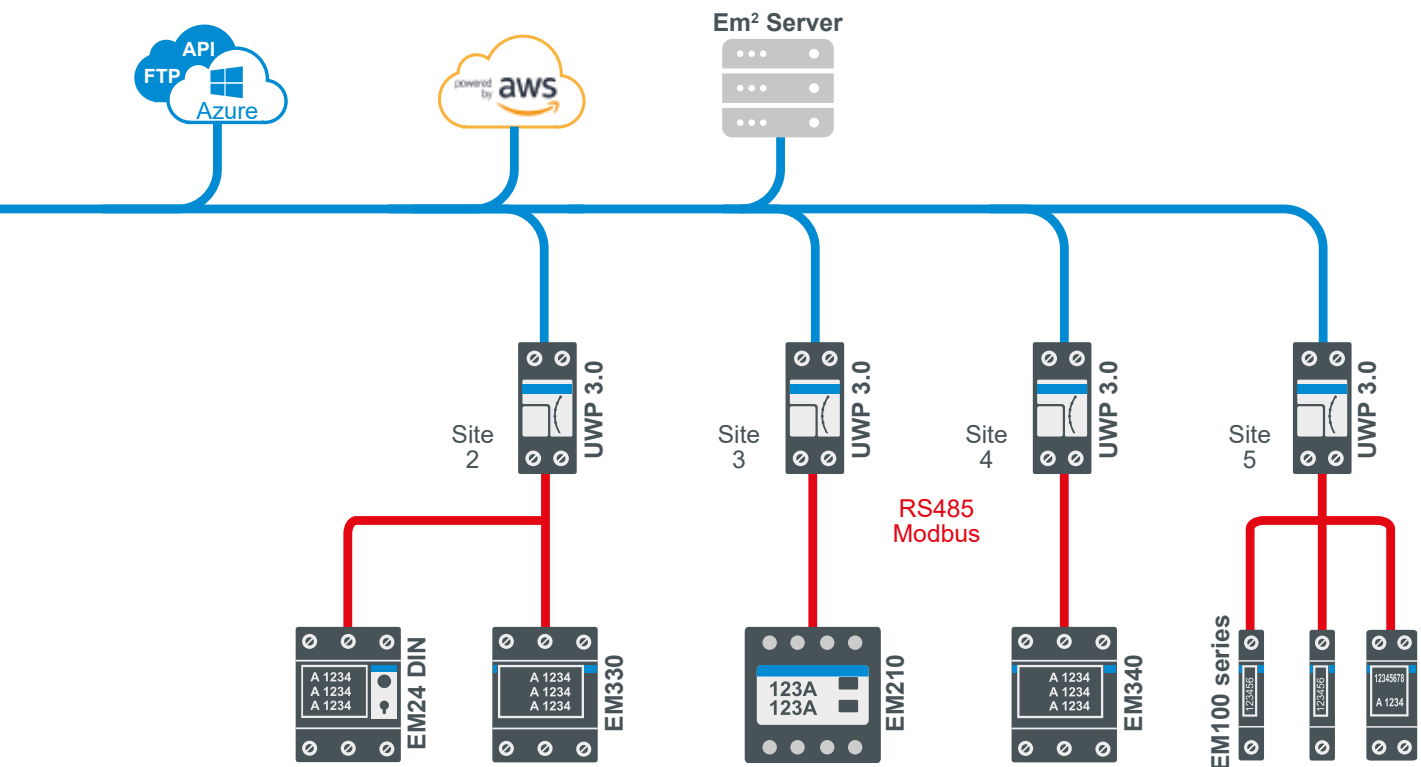
The UWP 3.0 is the core solution for effective Energy Monitoring in applications of all sizes. It collects measurements from energy meters through the fieldbus; it stores information (variables and alarms) in its local database and displays it through its web-based graphical user interface.

The system is set-up by the UWP 3.0 Tool and the operation is possible via the UWP 3.0 web interface, without any external software.

The UWP 3.0 can exchange data with other systems by means of FTP, MQTT, Rest-API, BACNet or Modbus/TCP communication. Multi-site applications can be managed by adding either the Em²-Server or the UWP 3.0 powered installations.



- Compact monitoring gateway and controller
- Improved IT security
- Application-focused software embedded inside industrial grade hardware: no need for a dedicated PC for monitoring
- On-site database
- Data concentrator via multiple fieldbuses, data-logger, local and remote gateway, Web-Server, Building Automation Controller, Car Park Guidance System
- Modular solution for additional inputs/outputs
- Optional modular modem for Mobile connections
- Scalability to multi-site applications by means of Em²-Server



Em²-Server multi-site solution

- Multi-site management software based on Virtual Machine concept
- Flexible operation and set-up
- Reliable data communication with UWP 3.0.
- Up to 100 geographically different sites can be managed with a single unit
- A single supplier for energy meters, gateways and data management solutions
- Scalable solution up to 3200 meters



M2M integration and user interaction

- Multi-site management software embedded in compact hardware
- Local SCADA and BMS compatibility via BACNet and Modbus/TCP
- Rest-API, FTP, SFTP,FTPS for remote server integration
- UWP 3.0 is Microsoft Azure Certified for IoT
- UWP 3.0 is compatible with Amazon AWS IoT
- Online or scheduled reporting in XLSX or CSV format
- Customizable web interface

Conventional Energy

Our product range

Monitoring gateway and controller



UWP 3.0

- Micro PC with embedded Web-Server
- Data and event logging from Modbus, Modbus/TCP and Dupline® devices
- Local gateway functions (to BACNet and Modbus/TCP)
- Remote gateway functions (FTP,SFTP,FTPS,Rest-API)
- Microsoft Azure Certified for IoT
- Compatible with Amazon AWS IoT
- Flexible control functions
- Huge ecosystem of compatible meters, sensors,actuators

MAIN FEATURES

- Energy efficiency monitoring
- Building automation control
- Car parking guidance

Long range wireless gateways



UWP A

- 2-DIN module
- Long range wireless, LoRaWAN®
- 868 MHz ISM Band (Europe)
- Power supply 24 VDC, 115-240 VAC
- CE, LoRaWAN Certified^{cm}

MAIN FEATURES

- Converts RS485 meters into IoT devices
- Compatible with most Carlo Gavazzi meters and analyzers
- Plug and play commissioning via UCS Software

Long range wireless gateways



UWP M

- 2-DIN module
- Long range wireless
- 868 MHz ISM Band (Europe)
- Power supply 24 VDC, 115-240 VAC
- CE

MAIN FEATURES

- Works in combination with the UWP 3.0 monitoring controller
- Compatible with UWP A
- Up to 50 UWP A each UWP M

USB dongle connection modules



SH2DSP24

- USB port to supply dongle modems
- Support for Wi-Fi USB key
- Watchdog features to prevent common mobile network glitches

MAIN FEATURES

- Dimensions: 2-DIN modules
- 24 VDC supplied

Multi-site aggregation server



Em²-Server

- Software for energy data management
- Multi-site monitoring management
- Flexible and scalable architecture
- VMware® technology compatibility
- Cloud or On-site installation

MAIN FEATURES

- Load profile management
- Data analysis and benchmark
- Data and event logging
- Customizable graphical synoptic
- All data exported in format compatible with Excel or other spread sheets
- Tariffs and multi contract management
- Alarms management
- Database replication from up to 100 UWP 3.0

Pulse counter with wireless MBUS output



SIU-MBC-XX

- Dimensions 105 x 27 x 60 mm DIN-rail housing
- Pulse counter (2 pulse inputs)
- Wireless MBUS output
- Battery power supply
- Indoor or outdoor installation (IP67)

MAIN FEATURES

- 12 years battery lifetime
- Compatible with SIU-MBM-02 concentrator
- Wireless MBUS T1 mode, 868 MHz

Our product range

MBUS and wireless MBUS concentrator



SIU-MBM-01 / SIU-MBM-02

- Dimensions 95 x 71 x 60 mm DIN-rail housing
- MBUS input
- SIU-MBM-01: MBUS input
SIU-MBM-02: MBUS and wireless MBUS input
SIU-MBM-01-160: up to 160 MBUS connectable devices
- MODBUS TCP/IP output
- Power supply from 15 to 21 VAC, from 18 to 35 VDC
- Ethernet port

MAIN FEATURES

- SIU-MBM-01: up to 20 MBUS connectable devices
SIU-MBM-02: up to 20 MBUS connectable devices and 32 wireless MBUS devices
- MBUS and wireless MBUS network scan feature
- Set-up by UCS software
- SIU-MBM-01-160: up to 160 MBUS connectable devices

3-phase multifunction meters



WM12 / WM14

- 6-DIN rail module housings
- 3-phase multifunction indicator (WM12) or analyzer (WM14)
- Accuracy 0.5 % (voltage, current)

MAIN FEATURES

- Available models from as a simple indicator up to an advanced analyzer
- Allows the serial re-transmission of the main parameters to a PLC for full control of the system

3-phase energy analyzers



EM24 / EM24 DUPLINE®

- 4-DIN rail module housings
- 3-phase energy meter with direct connection
- Direct connection up to 65 A
- Class B (EN50470)
- Optional serial port (Modbus RS485 or TCP, M-bus wired or wireless and Dupline®), digital input and outputs

MAIN FEATURES

- Direct measurement in compact housing to save space
- On request, MID annex D certification available
- Allows integration of energy management in the Dupline® fieldbus system
- Dupline® port for energy and inst. variable retransmission (optional)

1-phase energy meters up to 45A



EM110

- 1 DIN module
- Electromechanical totalizer
- Bi-directional energy metering, 7 digits cl. B (EN50470)
- Measuring inputs: 115/230 VAC, 32 A (max 45 A)
- CE, MID (PFB)

MAIN FEATURES

- Self-powered
- Pulse output
- Sealable terminal covers

1-phase energy analyzers up to 45A



EM111

- 1 DIN module
- Backlit touch LCD
- Measurement of voltage, current, power, power factor and frequency
- Bi-directional energy metering, 7 digits cl. B (EN50470)
- Measuring inputs: 115/230 VAC, 32 A (max 45 A)
- CE, MID (PFA and PFB), cULus (only 115V)

MAIN FEATURES

- Self-powered
- Dual tariff management
- Pulse output or RS485 Modbus or M-Bus port
- Sealable terminal covers

1-phase energy analyzers



EM112

- 2 DIN size; DIN-rail mounting
- Backlit touch LCD
- Measurement of voltage, current, power, power factor and frequency
- Bi-directional energy metering, 8 digits, cl. B (EN50470)
- Measuring inputs: 115/230 VAC, 100 A
- CE, MID (PFA and PFB), cULus (only 115V)

MAIN FEATURES

- Self-powered
- Pulse output or as an alternative: RS485 Modbus, M-Bus
- Sealable terminal covers

Conventional Energy

Our product range

3-phase energy analyzers for 5A or 0.333mV CTs



EM210 / EM210 MV

- 4 DIN modules or 72 x 72 mm
- LCD with two installation options
- Measurement of voltage, current, power, power factor and frequency
- Bi-directional energy metering, 3 x 3-digit or 8-digit readout, cl. B (EN50470)
- Voltage inputs: 3x230(400) VAC; Current inputs: 5 A CT (AV version) or 0.333mV from CTV-xX sensors (MV version)
- CE, cULus, MID (only 5A, aux power supply version)

MAIN FEATURES

- Self-power supply (230-400V aux power supply in MID version)
- Pulse output and optionally: RS485 Modbus RTU, high speed (up to 115 kbps)
- Sealable terminal covers

Quick-fit 3-phase energy analyzers



EM270 / EM271 + TCD X / TCD M

- 4-DIN rail module or 72 x 72 mm housing
- Two 3-phase energy analyzers with sum function
- Current measurement by triple CT, solid core (EM270), split-core (EM271) with RJ plug
- Equivalent to class 1 (kWh)
- Two pulse open collectors and serial RS485 outputs

MAIN FEATURES

- Save 90% of the installation time
- Voltage and serial bus daisy chain connection
- Fast and error-proof CT connection with CT ratio self-recognition

Quick-fit 3-phase energy analyzers



EM280 + TCD06BX/BS

- 4 DIN modules or 72 x 72 mm
- 6-channel energy meter
- Current measurement by 6-channel CT blocks with RJ plugs: solid core (TCD06BX), split core (TCD06BS)
- Equivalent to class 1 (kWh)
- Two pulse open collectors and serial RS485 outputs

MAIN FEATURES

- Branch monitoring in new and retrofit applications, saving 90% of the installation time
- Voltage and serial bus daisy chain installation
- Multichannel retrofit up to 6 x 32 A
- Fast and error-proof CT connection with CT ratio self-recognition

3-phase energy analyzers for direct current up to 65A



EM340

- 3 DIN modules
- Backlit touch LCD
- Measurement of voltage, current, power, power factor and frequency
- Bi-directional energy metering, 3x 8-digit, cl. B (EN50470)
- Measuring inputs: 230 to 400 V_{L-L} AC, 65 A
- CE, MID (PFA and PFB)

MAIN FEATURES

- Self-powered
- Dual tariff management
- Pulse output or RS485 Modbus or M-Bus port
- Sealable terminal covers

3-phase energy analyzers



EM330

- 3 DIN modules
- Backlit touch LCD
- Measurement of voltage, current, power, power factor and frequency
- Bi-directional energy metering, 3x 8-digit, cl. B (EN50470)
- Measuring inputs: 230 to 480 V_{L-L} AC, 5 A
- CE, MID (PFA and PFB), cULus

MAIN FEATURES

- Self-powered
- Dual tariff management
- Pulse output or RS485 Modbus or M-Bus port
- Sealable terminal covers

3-phase power analyzers



WM15 96

- 96 x 96 mm housing, only 45 mm behind the panel
- 3-phase energy meters with CT connection
- Primary current input: 5 A
- Class B (kWh) acc. to EN50470
- Pulse/alarm output
- Modbus communication port
- Optical port
- CE, MID, cULus

MAIN FEATURES

- Power analyzer in a very compact housing to save space
- Suitable to measure generated and consumed energy, with relevant hourmeter
- Easy and guided programming with error-proof features
- Fast commissioning in few minutes thanks to the freeware UCS software or Android App

Our product range

3-phase power analyzers



WM20

- 96 x 96 mm panel mounting housing
- Accuracy 0.2 % (voltage, current)
- Class 0.5S (kWh)
- Universal power supply
- Front protection degree IP65, NEMA4X, NEMA12
- cULus

MAIN FEATURES

- Provides installation data to a SCADA to manage the whole system
- Modular housing to build the instrument according to the real application needs
- Modbus, Ethernet, Profibus, BACnet (IP and MS/TP) communication ports

3-phase power quality analyzers



WM30

- 96 x 96 mm panel mounting housing
- Accuracy 0.2 % (voltage, current)
- Class 0.5S (kWh)
- Universal power supply
- Front protection degree IP65, NEMA4X, NEMA12
- Optional analogue and digital outputs
- cULus

MAIN FEATURES

- Modular housing to build the instrument according to the real application needs
- Modbus and BACnet (both RS485 or Ethernet), Profibus DPVO, and EtherNet/IP communication port available

3-phase power quality analyzers



WM40

- 96 x 96 mm panel mounting housing
- Accuracy 0.2 % (voltage, current)
- Class 0.5S (kWh)
- Universal power supply
- Front protection degree IP65, NEMA4X, NEMA12
- Optional analogue and digital outputs
- Optional analogue and digital inputs
- cULus

MAIN FEATURES

- Built-in datalogger for instantaneous variables, dmd profiles and events
- Modular housing to build the instrument according to the real application needs
- Modbus and BACnet (both RS485 or Ethernet), Profibus DPVO, and EtherNet/IP communication port available

3-phase power transducers



CPT-DIN

- 83.5 x 45 x 98.5 mm DIN-rail housing
- Accuracy 0.5 % (voltage, current)
- Measurement by CT and VT
- Front protection degree IP20
- Analogue, digital, pulse or serial outputs available

MAIN FEATURES

- Compact size power transducer
- Provides electrical variables set to a PLC to manage compressors and other loads
- Suitable for on-board panel installation

1-phase energy transducers



ET112

- 2 DIN size; DIN-rail mounting
- Measurement of voltage, current, power, power factor and frequency
- Bi-directional energy metering, 2 tariffs, cl. 1 (EN62053-1)
- Measuring inputs: 115/230 VAC, 100 A
- CE

MAIN FEATURES

- Self-powered
- RS485 Modbus port (screw, 2x RJ45)
- Optical port
- Sealable terminal covers

3-phase energy transducers



ET330 / ET340

- 3 DIN size; DIN-rail mounting
- Measurement of voltage, current, power, power factor, frequency
- Bi-directional energy metering, 2 tariffs, cl. 1 (EN62053-1)
- Measuring inputs: 480 V_L AC, 5 A (ET330) 208 to 400 V_L AC, 65 A (ET340)
- CE, cULus (ET330)

MAIN FEATURES

- Self-powered
- RS485 Modbus port (screw, 2x RJ45)
- Optical port
- Sealable terminal covers

Conventional Energy

Our product range

Contactless power analyzers



CPA050

- 63 x 46 x 25 mm (without connectors); DIN rail and panel mounting
- Power analyzer
- 1-phase AC (from 1 to 400 Hz) or DC
- Power supply from 9 to 30 VDC

MAIN FEATURES

- Contactless Hall effect sensing for current (15 mm hole diameter)
- True RMS AC and DC monitoring
- Voltage range: 800 VAC, 1000 VDC
- Current range: 50 AAC, 50 ADC

Contactless power analyzers



CPA300

- 99 x 89 x 30 mm (without connectors); DIN rail and panel mounting
- Power analyzer
- 1-phase AC (from 1 to 400 Hz) or DC
- Power supply from 9 to 30 VDC

MAIN FEATURES

- Contactless Hall effect sensing for current (33 mm hole diameter)
- True RMS AC and DC monitoring
- Voltage range: 800 VAC, 1000 VDC
- Current range: 300 AAC, 400 ADC

Current transformers



CTD / TADK

- CTD: currents from 40 to 4000 A TADK2: 1-250 A
- Removable panel fixing clips
- DIN-rail and panel mounting facility (TAD...)
- Double screw terminals (CTD)
- Sealable covers
- Case: ABS, self-extinguishing level UL 94 V-0
- Accuracy class: 0.5
- CE, cULus

MAIN FEATURES

- Wound primary / solid core or split-core
- Compliance with IEC 60185, VDE 0414-1 regulations
- Removable DIN-rail mounting holder

Current transformers



CTA

- Split-core current transformer
- Primary currents: 100 to 600 A
- Secondary output: 5 AAC
- Accuracy class: 1 or 3
- CE, cURus

MAIN FEATURES

- Compact split-core transformers ideal for retrofit applications
- Suitable for use with all the energy meter and power analyzers with standard 5A input

Current sensors



CTV

- Split-core current sensors
- Primary currents: 60 to 800 A
- Secondary output: 0.333 VAC
- Accuracy class: 1
- CE, cURus

MAIN FEATURES

- Very compact split-core sensors ideal for retrofit applications
- Suitable for use with EM210 MV energy meter

3-phase monitoring relays



DPA51 / DPA52

- 81 x 17.5 x 67.2 mm; DIN-rail housing
- Phase sequence and phase loss, regenerated voltage detection
- 3 phase AC (own power supply)
- Power supply 208 - 480 VAC
- CE, UL, CSA and CCC

MAIN FEATURES

- Motors protection from reverse running and phase loss
- 1 DIN module width. Suitable for NORM panels
- No setup needed (plug&play)

Our product range

3-phase monitoring relays



DPA53

- 81 x 17,5 x 67,2 mm; DIN-rail housing
- Phase sequence, loss and undervoltage relay
- 3 phase AC (own power supply)
- Power supply from 208 to 480 VAC (2 models)
- CE, UL, CSA and CCC

MAIN FEATURES

- Motor protection from reverse running and wrong phase voltage
- 17.5 mm width: the smallest in the market
- Plug and play: only undervoltage threshold to be set

3-phase monitoring relays



DPB52

- 81 x 17.5 x 67.2 mm DIN-rail housing
- Phase sequence and phase loss, regenerated V detection
- 3 phase AC (own power supply)
- Power supply 208 - 480 VAC
- CE, cULus and CCC

MAIN FEATURES

- Overvoltage / undervoltage setting with Alarm ON delay
- 1 DIN module width. Suitable for NORM panels
- Switching power supply 2.5 VA

3-phase fully programmable monitoring relays



DPD02

- 80 x 22.5 x 99.5 mm; DIN-rail housing
- 208 to 480VAC mains voltages
- Voltage and frequency monitoring
- 2 SPDT 8 A relay outputs
- NFC configuration and values reading
- CE, cULus and CCC

MAIN FEATURES

- Up to 10 configurable set points
- Apps for Android and Windows PC

Monitoring relays



DPC02 / DPC72

- DIN-rail mounting 45 mm (DPC02); 4 DIN Modules (DPC72)
- 208 to 690 VAC, 50 Hz or 60 Hz mains monitoring
- Output, 1 programmable DPDT or 2 SPDT (DPC02); 1 x DPDT (DPC72)
- Serial Port RS485 Modbus, JBUS protocol on DPC72
- CE, UL and CSA

MAIN FEATURES

- 1-phase or 3-phase voltage and frequency monitoring
- Output is active when voltage/ frequency are within the Set windows
- Programming: DPC02 by means of DIP switch, DPC72 directly on the display or via serial line

3-phase interface protection relays



PI-DIN0126

- 90 x 71.6 x 66.3 mm; DIN-rail housing
- 1 and 3-phase interface protection relay
- Auxiliary power supply 230 VAC or 24 VDC
- 2 digital inputs, 2 relay outputs
- Approved according VDE V 0126-1 Norm

MAIN FEATURES

- Energy production plants protection (VDE V 0126-1 Norm)
- Data logger with events logging
- RS485 communication
- Dual passive and anti islanding detection

Current monitoring relays



DIA / DIB

- 80 x 22.5 x 99.5 mm; DIN-rail housing
- Over or under current relay
- 1 phase AC or DC
- Power supply from 24 to 48 VAC/DC or 115/230 VAC
- CE, UL and CSA

MAIN FEATURES

- Detect any variation of the desired current level
- Direct connection, by CT or by external shunt
- Latch and inhibit functions, TRMS measurement (DIB)
- Time delay to avoid undesired nuisance tripping (DIB)

Conventional Energy

Our product range

3-phase monitoring relays



DWA01

- 80 x 22.5 x 99.5 mm; DIN-rail housing
- Cos ϕ monitoring relays
- 1 phase and 3 phase AC (own power supply)
- Power supply from 208 to 240 VAC or from 380 to 480 VAC
- CE, UL and CSA

MAIN FEATURES

- Detects any potentially dangerous change of the cos ϕ
- Direct current connection or by CT
- Easy setup

1-phase monitoring relays



DFB / DFC

- 80 x 22.5 x 99.5 mm; DIN-rail housing (DFB01); 80 x 45 x 99.5 mm (DFC01)
- Over or under frequency relay
- 1 phase, 50 or 60 Hz
- Measuring range from 24 to 240 VAC
- CE, UL and CSA

MAIN FEATURES

- Detects any variation of the frequency
- 2 Hz or 10 Hz selectable alarm window
- 2 independent delays and SPDT out (DFC01)

Motor thermistor relays



DTA04

- 80 x 22.5 x 99.5 mm; DIN-rail housing
- Motor thermistor relay
- 2 NO relay outputs
- Universal power supply from 24 V to 240 VAC/DC
- CE, UL and CE

MAIN FEATURES

- Multicolour LED with alarm discrimination
- Auto or manual, local or remote reset, test function
- Ready for reset function

Motor thermistor relays



DTA71 / DTA72

- 81 x 35,5 x 67,2 mm; DIN-rail housing
- Motor thermistor relay
- 1 (DTA71) or 2 (DTA72) relay outputs
- Universal power supply from 24 V to 240 VAC/DC
- UL and CE

MAIN FEATURES

- Multicolour LED with alarm discrimination
- Auto or manual, local or remote reset, test function (DTA72)
- Ready for reset function (DTA72)

Monitoring relays



DLA71

- 81 x 35,5 x 67,2 mm; DIN-rail housing
- Pump alternating relay for 2 or 3 pumps
- Galvanically separated power supply, 24/48 VAC or 115/230 VAC
- 2x or 3x 5 A SPST output
- CE, UL and CSA

MAIN FEATURES

- Built-in function for automatic rotation of the pumps
- Built-in delay for the second or third pump in case of simultaneous activation is required
- Built-in function for automatic rotation of the pumps

Timers



DAA51 / DMB51

- 81 x 17,5 x 67,2 mm; DIN-rail housing
- Delay on operate function (DAA), multifunction (DMB)
- Combined AC and DC power supply
- Repeatability: < 0.2%
- CE, UL, CSA, RINA

MAIN FEATURES

- Delay on operate/release; interval (manual/automatic start)
- Double interval; symmetrical recycler (ON or OFF first)
- Timing range from 0.1 s to 100 h

Our product range

Timers



DBA52

- 81 x 17,5 x 67,2 mm; DIN-rail housing
- Delay on release function
- Power supply 24 VDC or from 24 to 240 VAC
- Repeatability: < 0.2%
- CE, UL and CSA

MAIN FEATURES

- Extended delay-on-release time, selectable from 0.1 s to 100 h
- 5 A SPDT relay

Timers



HAA08 / HAA14

- 21.5 x 28 mm housing for 8-pin or 14-pin blade socket
- Multifunction timer with 4 functions
- DPDT or 4PDT output
- Universal power supply
- CE, cUR and CSA

MAIN FEATURES

- Front dial adjustable time setting
- Selectable time ranges from 0.1 s to 100 h
- Delay on operate, symmetrical recycle, ON or OFF first interval timing functions

Dupline® decentral analog I/O modules



SHPINxxx / SHPOUTxxx

- Dupline® analog I/O modules
- Pt1000/Ni1000/10K3 Thermistor/10K potentiometer, 4-20 mA, 0-10 VDC inputs, 0-10 VDC outputs
- Small dimension housing for decentral installation in wall boxes
- Bus-powered or 15-30 VDC (various types)

MAIN FEATURES

- Interface for standard temp/CO₂/humidity/pressure sensors and heating valves/damper actuators
- Flexible decentral installation
- Easy and fast multi-drop installation of bus-cable from module to module

Dupline® decentral counter modules



SHPINCNTxx4

- Pulse counter module with 4 count inputs
- Built-in counters for local pulse counting on each input
- Count values are stored in non-volatile memory
- Counts up to 99999999 with automatic roll-over
- Count frequency up to 100 Hz

MAIN FEATURES

- Bus-powered
- Small-dimension for easy integration in existing installations
- Each input can be used for counting or as input

Dupline® decentral I/O modules



BDA-RE13A-U

- Dupline® relay module
- 1 x 16 A relay output
- Inrush current: Up to 130 A
- Bus-powered
- Small dimension housing for de-central installation in wall-boxes etc.

MAIN FEATURES

- De-central relay for installation at the position of the load
- Easy and fast installation with Dupline® 2-wire bus
- High inrush current suitable for lighting loads
- Cost effective

Dupline® decentral I/O modules



BDx-INCONx-U

- Dupline® input module
- 4 or 8 x contact inputs
- Bus-powered
- Small dimension housing for de-central installation in wall-boxes etc.

MAIN FEATURES

- De-central interface for light switches
- De-central interface for doors and windows contacts
- Easy and fast installation with Dupline® 2-wire bus
- Cost effective

Conventional Energy

Our product range

Dupline® environmental sensors



SHSUxxxx

- Bus-powered Temperature / CO₂ / Humidity sensors for wall mounting
- Available in different combinations with optional display or traffic light LED
- Temperature measuring range: -20°C to +50°C (-4 to 122°F)
- CO₂ measuring range: 0 to 2000 ppm
- Humidity measuring range: 0 to 100 %RH

MAIN FEATURES

- Bus communication and power on the same two wires
- Easy and fast installation with bus-cable multi-dropped from module to module
- High flexibility for changes and enhancements of an installation

360° PIR sensors



SHQP360L7Mxx / SBQP360L24Mxx

- Passive infrared detector (PIR) and luxmeter
- Operating distance: 14 m (SHQP360L7Mxx)
- Large operating distance: 24 m (SBQP360L24Mxx)
- Detects movement and presence
- Indoor and outdoor installation
- Operating angle: 360°

MAIN FEATURES

- Bus powered
- Programmable sensitivity
- Programmable detection area (SBQP360L24Mxx)

Digital panel meters



USC

- 48 x 96 mm DIN-rail Mounting (no display)
- Multi Input Modular Controller
- AC/DC current and voltage, C & F temperature, resistance, frequency measurement
- Serial Port RS485 / RS232 Modbus, JBUS protocol
- CE, UL and CSA

MAIN FEATURES

- Particularly indicated for process control
- Up to 4 independent alarms and set points
- Linearization of V, A inputs up to 16 points.

Digital panel meters



UDM40

- Panel mounting 48 x 96 mm
- Multi Input Modular 4DGT LED Meter & Controller
- AC/DC current and voltage, C & F temperature, resistance, frequency measurement
- Serial Port RS485/RS232 Modbus, JBUS protocol
- CE, UL and CSA

MAIN FEATURES

- Particularly indicated for process control
- Up to 4 independent alarms and set points
- Linearization of V, A and Hz inputs up to 16 points.

DC UPS controllers



SPUC

- Up to 30 A UPS controller
- 12 V and 24 V versions
- Outputs for Device OK, Battery OK and Battery Low
- DIN rail battery accessory available up to 7.2 A/h
- CE, cULus, cURus, TÜV

MAIN FEATURES

- To be used in addition to 12 or 24 V power supply
- Front 30 A replaceable fuse
- Plug and play: no settings needed

DC UPS battery charger



SPUBC

- Power supply, UPS and battery charger "All in one"
- 24 VDC 5A output
- Power boost up to 2 times rated output, permanent
- Built in battery diagnosis
- CE, cURus

MAIN FEATURES

- Power supply independent from charger
- Remote indication for battery operation and battery low
- "Start from battery" and "Empty battery charging" features

Our product range

Low profile DIN battery charger



SPM5BC

- 12 V or 24 V output
- Universal 90 Vac to 264 Vac
- Short circuit and battery polarity protection
- From -25°C to +60°C operation w/out derating
- CE

MAIN FEATURES

- Particularly indicated for process control
- Up to 4 independent alarms and set points
- Linearization of inputs up to 16 points

DIN rail switch mode power supplies



SPD

- DIN rail housing
- 1-phase (5-480 W), 2-phase (100 W), 3-phase (120-960 W)
- PFC >100 W
- Rated input voltage: 85-264 VAC (1-phase), 380-575 VAC (2-phase), 340-575 VAC / 480-820 VDC (3-phase)
- CE, cULus, CURus, UL1310 Class 2 (up to 90W), ISA 12.12.1 Class I Div2, TÜV and CCC

MAIN FEATURES

- Power Factor Correction (PFC)
- Parallel connection
- DC OK output

Mini DIN power supplies



SPM

- Mini DIN housing
- Universal input 90-264 VAC / 120-370 VDC
- Output powers from 7.5 W to 100 W
- Short circuit, overload protection
- CE, cULus, cURus, UL1310 Class 2 (up to 91.2 W), ISA 12.12.1 Class I Div2 and TÜV

MAIN FEATURES

- Operating temperature w/o derating -25° to +60°C
- Short circuit and Overload protection
- High efficiency (up to 89%)

Switch mode power supplies



SPDM Plastic

- Output from 24W to 72W
- Low consumption
- Compact dimension
- Universal input voltage AC and DC
- CE, cULus, UL1310 Class 2 (up to 72 W, for 72 W only for 24 VDC models)

MAIN FEATURES

- Screw or spring loaded terminals
- DC OK LED indication
- Short circuit, overload and overvoltage protection

DIN rail power supplies



SPDC 120W

- 12 or 24 VDC, 120 W Output
- 32 mm width, high compactness
- Very high efficiency
- Universal input 90 VAC ~ 264 VAC / 127 VDC ~ 370 VDC
- CE, cULus and cURus

MAIN FEATURES

- DC OK relay output and LED indication
- PFC
- Parallel connection selection switch

DIN rail power supplies



SPDC 240W

- 24 VDC, 240 W output
- 45 mm width, high compactness
- 94% maximum efficiency
- Universal input 90 VAC ~ 264 VAC / 127 VDC ~ 370 VDC
- CE, cULus and cURus

MAIN FEATURES

- DC OK relay output and LED indication
- PFC > 0.95
- Parallel connection selection switch

OUR SALES NETWORK IN EUROPE

AUSTRIA

Carlo Gavazzi GmbH
Ketzergasse 374,
A-1230 Wien
Tel: +43 1 888 4112
Fax: +43 1 889 10 53
office@carlogavazzi.at

BELGIUM

Carlo Gavazzi NV/SA
Mechelsesteenweg 311,
B-1800 Vilvoorde
Tel: +32 2 257 4120
Fax: +32 2 257 41 25
sales@carlogavazzi.be

DENMARK

Carlo Gavazzi Handel A/S
Over Hadstenvej 40,
DK-8370 Hadsten
Tel: +45 89 60 6100
Fax: +45 86 98 15 30
handel@gavazzi.dk

FINLAND

Carlo Gavazzi OY AB
Ahventie, 4 B
FI-02170 Espoo
Tel: +358 9 756 2000
myynti@gavazzi.fi

FRANCE

Carlo Gavazzi Sarl
Zac de Paris Nord II, 69, rue de la Belle Etoile,
F-95956 Roissy CDG Cedex
Tel: +33 1 49 38 98 60
Fax: +33 1 48 63 27 43
french.team@carlogavazzi.fr

GERMANY

Carlo Gavazzi GmbH
Pfnorstr. 10-14
D-64293 Darmstadt
Tel: +49 6151 81000
Fax: +49 6151 81 00 40
info@gavazzi.de

GREAT BRITAIN

Carlo Gavazzi UK Ltd
4.4 Frimley Business Park,
Frimley, Camberley, Surrey GU16 7SG
Tel: +44 1 276 854 110
Fax: +44 1 276 682 140
sales@carlogavazzi.co.uk

ITALY

Carlo Gavazzi SpA
Via Milano 13,
I-20020 Lainate
Tel: +39 02 931 761
Fax: +39 02 931 763 01
info@gavazziacbu.it

NETHERLANDS

Carlo Gavazzi BV
Wijkermeerweg 23,
NL-1948 NT Beverwijk
Tel: +31 251 22 9345
Fax: +31 251 22 60 55
info@carlogavazzi.nl

NORWAY

Carlo Gavazzi AS
Melkeveien 13,
N-3919 Porsgrunn
Tel: +47 35 93 0800
Fax: +47 35 93 08 01
post@gavazzi.no

PORTUGAL

Carlo Gavazzi Lda
Rua dos Jerónimos 38-B,
P-1400-212 Lisboa
Tel: +351 21 361 7060
Fax: +351 21 362 13 73
carlogavazzi@carlogavazzi.pt

SPAIN

Carlo Gavazzi SA
Avda. Iparraguirre, 80-82,
E-48940 Leioa (Bizkaia)
Tel: +34 94 480 4037
Fax: +34 94 431 6081
gavazzi@gavazzi.es

SWEDEN

Carlo Gavazzi AB
V:a Kyrkogatan 1,
S-652 24 Karlstad
Tel: +46 54 85 1125
Fax: +46 54 85 11 77
info@carlogavazzi.se

SWITZERLAND

Carlo Gavazzi AG
Verkauf Schweiz/Vente Suisse
Sumpfstrasse 3,
CH-6312 Steinhausen
Tel: +41 41 747 4535
Fax: +41 41 740 45 40
info@carlogavazzi.ch

OUR SALES NETWORK IN THE AMERICAS

USA

Carlo Gavazzi Inc.
750 Hastings Lane,
Buffalo Grove, IL 60089, USA
Tel: +1 847 465 6100
Fax: +1 847 465 7373
sales@carlogavazzi.com

CANADA

Carlo Gavazzi Inc.
2660 Meadowvale Boulevard,
Mississauga, ON L5N 6M6, Canada
Tel: +1 905 542 0979
Fax: +1 905 542 22 48
gavazzi@carlogavazzi.com

MEXICO

Carlo Gavazzi Mexico S.A. de C.V.
Circuito Puericultores 22, Ciudad Satelite
Naucalpan de Juarez, Edo Mex. CP 53100
Mexico
T +52 55 5373 7042
F +52 55 5373 7042
mexicosales@carlogavazzi.com

BRAZIL

Carlo Gavazzi Automação Ltda.
Av. Francisco Matarazzo, 1752
Conj 2108 - Barra Funda - São Paulo/SP
Tel: +55 11 3052 0832
Fax: +55 11 3057 1753
info@carlogavazzi.com.br

OUR SALES NETWORK IN ASIA AND PACIFIC

SINGAPORE

Carlo Gavazzi Automation Singapore Pte. Ltd.
61 Tai Seng Avenue #05-06
Print Media Hub @ Paya Lebar iPark
Singapore 534167
Tel: +65 67 466 990
Fax: +65 67 461 980
info@carlogavazzi.com.sg

MALAYSIA

Carlo Gavazzi Automation (M) SDN. BHD.
D12-06-G, Block D12,
Pusat Perdagangan Dana 1,
Jalan PJU 1A/46, 47301 Petaling Jaya,
Selangor, Malaysia.
Tel: +60 3 7842 7299
Fax: +60 3 7842 7399
sales@gavazzi-asia.com

CHINA

Carlo Gavazzi Automation
(China) Co. Ltd.
Unit 2308, 23/F.,
News Building, Block 1, 1002
Middle Shennan Zhong Road,
Shenzhen, China
Tel: +86 755 83699500
Fax: +86 755 83699300
sales@carlogavazzi.cn

HONG KONG

Carlo Gavazzi Automation
Hong Kong Ltd.
Unit 3 12/F Crown Industrial Bldg.,
106 How Ming St., Kwun Tong,
Kowloon, Hong Kong
Tel: +852 23041228
Fax: +852 23443689

OUR COMPETENCE CENTRES AND PRODUCTION SITES

DENMARK

Carlo Gavazzi Industri A/S
Hadsten

MALTA

Carlo Gavazzi Ltd
Zejtun

ITALY

Carlo Gavazzi Controls SpA
Belluno

LITHUANIA

Uab Carlo Gavazzi Industri Kaunas
Kaunas

CHINA

Carlo Gavazzi Automation (Kunshan) Co., Ltd.
Kunshan

HEADQUARTERS

Carlo Gavazzi Automation SpA
Via Milano, 13
I-20020 - Lainate (MI) - ITALY
Tel: +39 02 931 761
info@gavazziautomation.com



CARLO GAVAZZI
Automation Components

Energy to Components!

www.gavazziautomation.com

