

Élan™SC520 Microcontroller

Integrated 32-Bit Microcontroller with PC/AT-Compatible Peripherals, PCI Host Bridge, and Synchronous DRAM Controller

DISTINCTIVE CHARACTERISTICS

- **Industry-standard Am5_x86® CPU with floating point unit (FPU) and 16-Kbyte write-back cache**
 - 100-MHz and 133-MHz operating frequencies
 - Low-voltage operation (core $V_{CC} = 2.5\text{ V}$)
 - 5-V tolerant I/O (3.3-V output levels)
- **E86™ family of x86 embedded processors**
 - Part of a software-compatible family of microprocessors and microcontrollers well supported by a wide variety of development tools
- **Integrated PCI host bridge controller leverages standard peripherals and software**
 - 33 MHz, 32-bit PCI bus Revision 2.2-compliant
 - High-throughput 132-Mbyte/s peak transfer
 - Supports up to five external PCI masters
 - Integrated write-posting and read-buffering for high-throughput applications
- **Synchronous DRAM (SDRAM) controller**
 - Supports 16-, 64-, 128-, and 256-Mbit SDRAM
 - Supports 4 banks for a total of 256 Mbytes
 - Error Correction Code provides system reliability
 - Buffers improve read and write performance
- **AMDebug™ technology offers a low-cost solution for the advanced debugging capabilities required by embedded designers**
 - Allows instruction tracing during execution from the Am5_x86 CPU's internal cache
 - Uses an enhanced JTAG port for low-cost debugging
 - Parallel debug port for high-speed data exchange during in-circuit emulation
- **General-Purpose (GP) bus with programmable timing for 8- and 16-bit devices provides good performance at low cost**
- **ROM/Flash controller for 8-, 16-, and 32-bit devices**
- **Enhanced PC/AT-compatible peripherals provide improved performance**
 - Enhanced programmable interrupt controller (PIC) prioritizes 22 interrupt levels (up to 15 external sources) with flexible routing
 - Enhanced DMA controller includes double buffer chaining, extended address and transfer counts, and flexible channel routing
 - Two 16550-compatible UARTs operate at baud rates up to 1.15 Mbit/s with optional DMA interface
- **Standard PC/AT-compatible peripherals**
 - Programmable interval timer (PIT)
 - Real-time clock (RTC) with battery backup capability and 114 bytes of RAM
- **Additional integrated peripherals**
 - Three general-purpose 16-bit timers provide flexible cascading for 32-bit operation
 - Watchdog timer guards against runaway software
 - Software timer
 - Synchronous serial interface (SSI) offers full-duplex or half-duplex operation
 - Flexible address decoding for programmable memory and I/O mapping and system addressing configuration
- **32 programmable input/output (PIO) pins**
- **Native support for pSOS, QNX, RTX, VxWorks, and Windows® CE operating systems**
- **Industry-standard BIOS support**
- **Plastic Ball Grid Array (PBGA388) package**

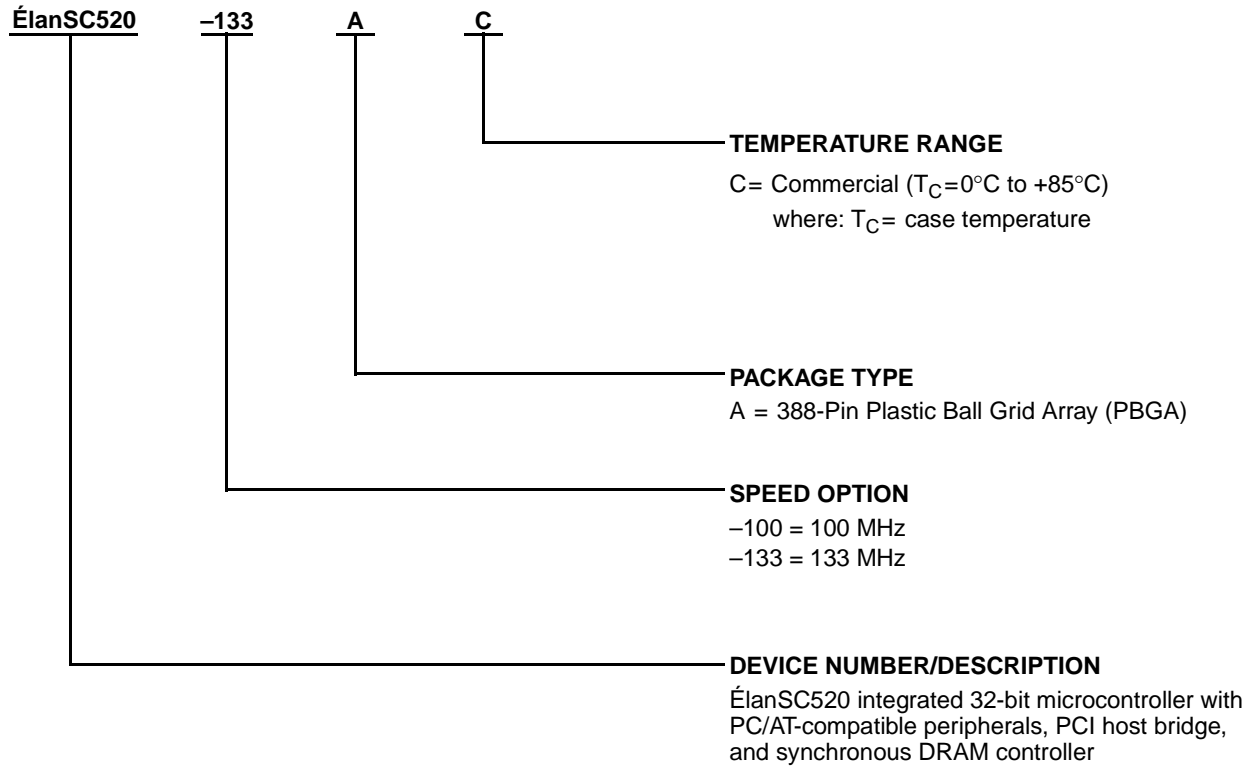
GENERAL DESCRIPTION

The Élan™SC520 microcontroller is a full-featured microcontroller developed for the general embedded market. The ÉlanSC520 microcontroller combines a 32-bit, low-voltage Am5_x86 CPU with a set of integrated peripherals suitable for both real-time and PC/AT-compatible embedded applications.

An integrated PCI host bridge, SDRAM controller, enhanced PC/AT-compatible peripherals, and advanced debugging features provide the system designer with a wide range of on-chip resources, allowing support for legacy devices as well as new devices available in the current PC marketplace.

Designed for medium- to high-performance applications in the telecommunications, data communications, and information appliance markets, the ÉlanSC520 microcontroller is particularly well suited for applications requiring high throughput combined with low latency. The compact Plastic Ball Grid Array (PBGA) package provides a high degree of functionality in a very small form factor, making it cost-effective for many applications. A 0.25-micron CMOS manufacturing process allows for low power consumption along with high performance.

ORDERING INFORMATION



Valid Combinations	
ÉlanSC520-100	AC
ÉlanSC520-133	

Valid Combinations

Valid combinations list configurations planned to be supported in volume for this device. Consult the local AMD sales office to confirm availability of specific valid combinations and to check on newly released combinations.

TABLE OF CONTENTS

Distinctive Characteristics	1
General Description	1
Ordering Information	2
Logic Diagram by Interface	6
Logic Diagram by Default Pin Function	7
Connection Diagram	8
Pin Designations	10
Pin Designations (Pin Number)	11
Pin Designations (Pin Name)	13
Signal Descriptions	16
Architectural Overview	28
Industry-Standard x86 Architecture	30
AMDebug™ Technology for Advanced Debugging	30
Industry-Standard PCI Bus Interface	30
High-Performance SDRAM Controller	30
ROM/Flash Controller	30
Flexible Address-Mapping Hardware	31
Easy-to-Use GP Bus Interface	31
Clock Generation	31
Integrated Peripherals	31
JTAG Boundary Scan Test Interface	32
System Test and Debug Features	32
Applications	33
Clock Generation and Control	38
Internal Clocks	39
Clock Specifications	40
Clock Pin Loading	40
Selecting a Crystal	41
32.768-kHz Crystal Selection	41
33-MHz Crystal Selection	42
Third Overtone Crystal Component Selection	42
Running the Élan™SC520 Microcontroller at 33.333 MHz	43
Bypassing Internal Oscillators	44
RTC Voltage Monitor	45
Backup Battery Considerations	46
Using an External RTC Backup Battery	46
Not Using an External RTC Backup Battery	46
Absolute Maximum Ratings	48
Operating Ranges at Commercial Temperatures	48
Voltage Levels for Non-PCI Interface Pins	49
Voltage Levels for PCI Interface Pins	49
DC Characteristics Over Commercial Operating Ranges	50
Capacitance	51
Non-PCI Interface Pin Capacitance	51
PCI Interface Pin Capacitance	51
Crystal Capacitance	51
Derating Curves	51
Power Characteristics	56
Thermal Characteristics	56
388-Pin PBGA Package	56
Switching Characteristics and Waveforms	58
Key to Switching Waveforms	58

AC Switching Test Waveforms	58
Non-PCI Bus Interface Pins	58
PCI Bus Interface Pins	58
Switching Characteristics over Commercial Operating Ranges	59
Power-On Reset Timing	59
Reset Timing with Power Applied	61
ROM Timing	63
PCI Bus Timing	65
SDRAM Timing	66
SDRAM Clock Timing	68
GP Bus Timing	69
GP Bus DMA Read Cycle Timing	71
GP Bus DMA Write Cycle Timing	72
SSI Timing	73
JTAG Timing	74
Appendix A: Pin Tables	A-1
Pin List Summary Table Column Definitions	A-6
Appendix B: Physical Dimensions	B-1
388-Pin Plastic BGA (PBGA) Package	B-1
Top View	B-1
Bottom View	B-2
Circuit Board Layout Considerations	B-3
Appendix C: Customer Support	C-1
Related Documents	C-2
Additional Information	C-2
Customer Development Platform	C-2
Third-Party Development Support Products	C-2
Customer Service	C-3
Hotline and World Wide Web Support.....	C-3
Corporate Applications Hotline.....	C-3
World Wide Web Home Page	C-3
Documentation and Literature	C-3
Literature Ordering	C-3
Index	Index-1

LIST OF FIGURES

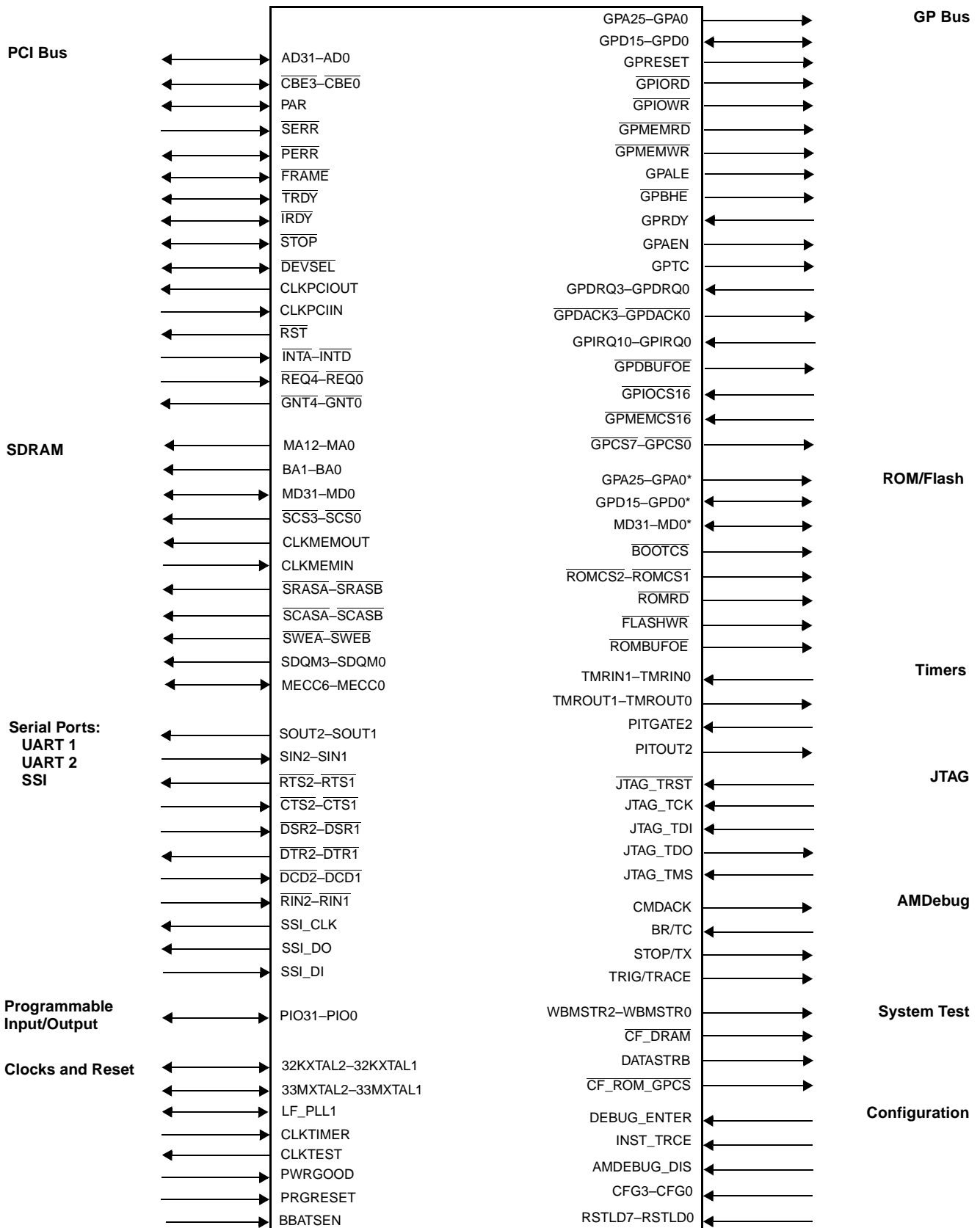
Figure 1. Élan™SC520 Microcontroller Block Diagram	29
Figure 2. Élan™SC520 Microcontroller-Based Smart Residential Gateway Reference Design	34
Figure 3. Élan™SC520 Microcontroller-Based Thin Client Reference Design	35
Figure 4. Élan™SC520 Microcontroller-Based Digital Set Top Box Reference Design	36
Figure 5. Élan™SC520 Microcontroller-Based Telephone Line Concentrator Reference Design	37
Figure 6. System Clock Distribution Block Diagram	38
Figure 7. Clock Source Block Diagram	39
Figure 8. 32.768-kHz Crystal Circuit	41
Figure 9. 33.333-MHz Third Overtone Crystal Implementation	43
Figure 10. Bypassing the 32.768-kHz Oscillator	44
Figure 11. Bypassing the 33-MHz Oscillator	44
Figure 12. RTC Voltage Monitor Block Diagram	45
Figure 13. Circuit with Backup Battery	47
Figure 14. Circuit without Backup Battery	47
Figure 15. I/O Drive 6-mA Rise Time	52

Figure 16.	I/O Drive 6-mA Fall Time	52
Figure 17.	I/O Drive 12-mA Rise Time	53
Figure 18.	I/O Drive 12-mA Fall Time	53
Figure 19.	I/O Drive 24-mA Rise Time	54
Figure 20.	I/O Drive 24-mA Fall Time	54
Figure 21.	PCI Pads Rise Time with 1-ns Rise/Fall	55
Figure 22.	PCI Pads Fall Time with 1-ns Rise/Fall	55
Figure 23.	Thermal Resistance (°C/Watt)	56
Figure 24.	Thermal Characteristics Equations	57
Figure 25.	AC Switching Test Waveforms	58
Figure 26.	Power-Up Timing Sequence	60
Figure 27.	PWRGOOD Timing for RTC Standalone Mode	60
Figure 28.	External System Reset Timing with Power Applied	61
Figure 29.	PRGRESET Timing	62
Figure 30.	Internal System Reset Timing	62
Figure 31.	Non-Burst ROM Read Cycle Timing	64
Figure 32.	Page-Mode ROM Read Cycle Timing	64
Figure 33.	Flash Write Cycle Timing	65
Figure 34.	SDRAM Write and Read Timing	67
Figure 35.	SDRAM Clock Timing	68
Figure 36.	GP Bus Non-DMA Cycle Timing	70
Figure 37.	GP-DMA Read Cycle Timing	71
Figure 38.	GP-DMA Write Cycle Timing	72
Figure 39.	SSI Timing	73
Figure 40.	JTAG Boundary Scan Timing	74
Figure 41.	BGA Ball Pad Layout	B-3

LIST OF TABLES

Table 1.	Signal Descriptions Table Definitions.....	16
Table 2.	Signal Descriptions	17
Table 3.	Clock Jitter Specifications	40
Table 4.	Clock Startup and Lock Times	40
Table 5.	Oscillator Input Specifications	40
Table 6.	Analog VCC (VCC_ANLG) Specifications	40
Table 7.	PLL1 Loop Filter Components	41
Table 8.	Timing Error as It Translates to Clock Accuracy	41
Table 9.	32.768-kHz Crystal Specifications	42
Table 10.	33-MHz Crystal Specifications	42
Table 11.	RTC Voltage Monitor Component Specifications	46
Table 12.	Device Power Dissipation	56
Table 13.	VCC_ANLG and VCC_RTC Power Dissipation	56
Table 14.	Thermal Resistance (°C/W) θ_{JC} and θ_{JA} for BGA Package with 6-Layer Board ...	57
Table 15.	Maximum T_A for Plastic BGA Package with 6-Layer Board with $T_{CASE} = 85^\circ\text{C}$	57
Table 16.	Multiplexed Signal Trade-Offs	A-2
Table 17.	PIOs Sorted by PIO Number	A-4
Table 18.	PIOs Sorted by Signal Name	A-5
Table 19.	Pin List Summary Table Abbreviations	A-6
Table 20.	Pin List Summary	A-7
Table 21.	Related AMD Products—E86™ Family Devices	C-1

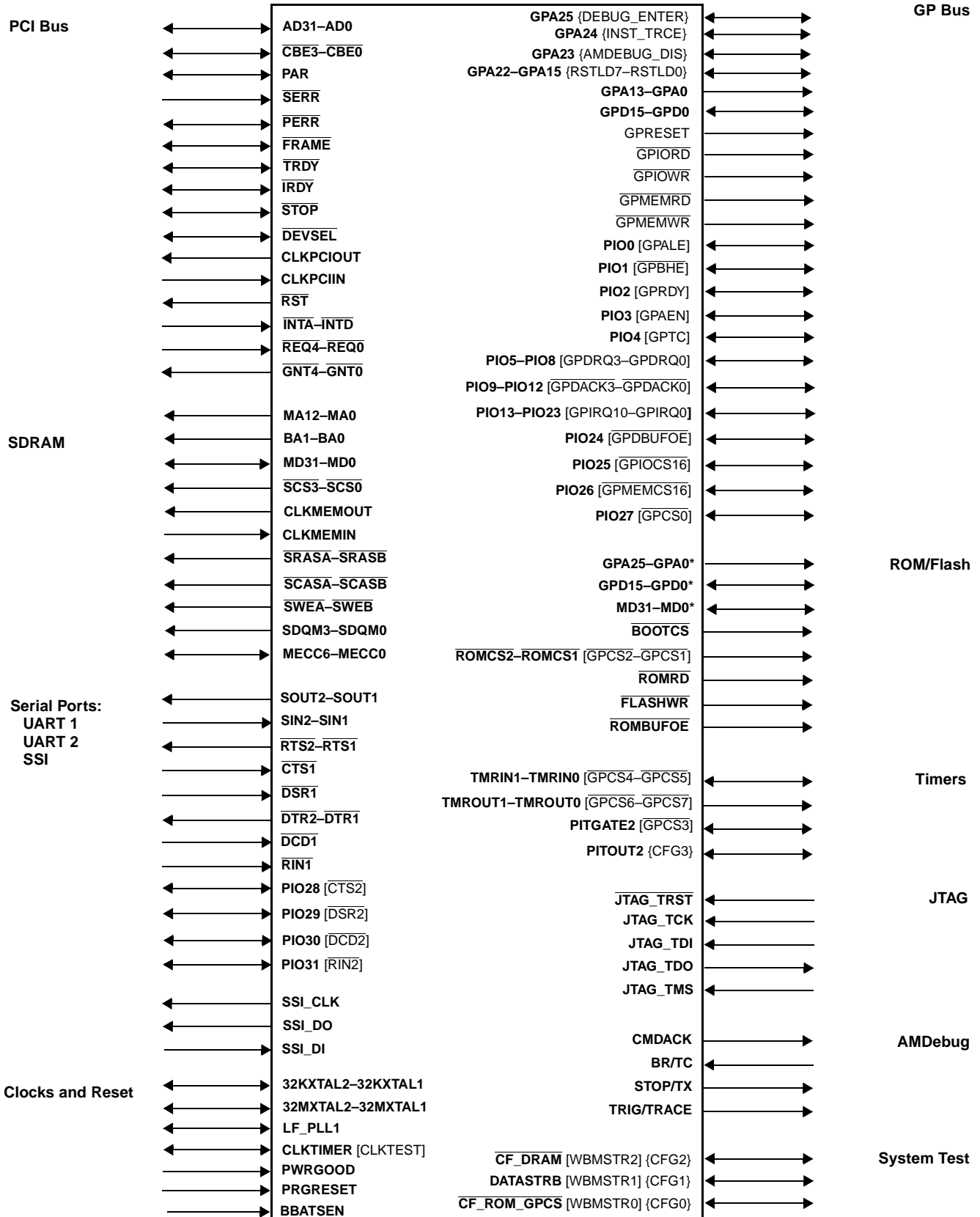
LOGIC DIAGRAM BY INTERFACE¹



Notes:

1. Pins noted with asterisks are duplicated in this diagram to clarify which signals are used for each interface.

LOGIC DIAGRAM BY DEFAULT PIN FUNCTION¹



Notes:

1. Pin names in **bold** indicate the default pin function. Brackets, [], indicate alternate, multiplexed functions. Braces, { }, indicate pinstrap pins. Pins noted with asterisks are duplicated in this diagram to clarify which signals are used for each interface.

CONNECTION DIAGRAM
388-Pin Plastic BGA Package
Top View

	1	2	3	4	5	6	7	8	9	10	11	12	13										
A	AD30	AD31	NC	CLKMEMIN	RST	CLK-PCIOUT	CLKTIMER [CLKTEST]	MD1	MD17	MD3	MD19	MD5	MD21	A									
B	AD29	AD28	NC	NC	GPD1	NC	MD0	MD16	MD2	MD18	MD4	MD20	MD6	B									
C	GPA6	GPA9	GPA25 {DEBUG_ENTER}	GPD0	NC	NC	GPD2	GPD3	GPD4	GPD7	GPD8	GPD9	GPD10	C									
D	AD26	AD27	GPA23 {AMDEBUG_DIS}	GPA24 {INST_TRCE}	VCC_I/O	VCC_I/O	VCC_I/O	VCC_I/O	GPD5	GPD6	VCC_CORE	VCC_CORE	GPD11	D									
E	AD25	AD24	NC	VCC_CORE										E									
F	AD23	CBE3	GPA22 {RSTLD7}	VCC_CORE										F									
G	AD22	AD21	CLKPCIIIN	GPA1										G									
H	AD19	AD20	INTC	INTD										H									
J	AD18	AD17	INTB	VCC_I/O										J									
K	CBE2	AD16	INTA	VCC_I/O										K									
L	FRAME	IRDY	REQ0	VCC_I/O										GND	GND	GND	L						
M	DEVSEL	TRDY	GNT0	VCC_I/O										GND	GND	GND	M						
N	STOP	PERR	REQ1	GNT1										GND	GND	GND	N						
P	PAR	SERR	GNT2	REQ2										GND	GND	GND	P						
R	CBE1	AD15	REQ3	VCC_CORE	GND	GND	GND	R															
T	AD13	AD14	GNT3	VCC_CORE	GND	GND	GND	T															
U	AD12	AD11	REQ4	GNT4										U									
V	AD9	AD10	CTS1	DCD1										V									
W	AD8	CBE0	DTR1	RTS1										W									
Y	AD6	AD7	DSR1	VCC_I/O										Y									
AA	AD5	AD4	RIN1	VCC_I/O										AA									
AB	AD2	AD3	NC	NC										AB									
AC	AD1	AD0	NC	PIO25 [GPIOC516]										VCC_CORE	VCC_CORE	VCC_CORE	PIO12 [GPDACK0]	PIO11 [GPDACK1]	VCC_I/O	VCC_I/O	NC	TRIG/TRACE	AC
AD	NC	NC	PIO31 [RIN2]	PIO26 [GPMEM-CS16]										PIO24 [GPDBU-FOE]	PIO19 [GPIRQ4]	PIO18 [GPIRQ5]	PIO13 [GPIRQ10]	PIO10 [GPDACK2]	PIO5 [GPDRQ3]	PIO4 [GPTC]	NC	NC	AD
AE	NC	SIN1	PIO30 [DCD2]	PIO27 [GPCS0]										PIO23 [GPIRQ0]	PIO20 [GPIRQ3]	PIO17 [GPIRQ6]	PIO14 [GPIRQ9]	PIO9 [GPDACK3]	PIO6 [GPDRQ2]	PIO3 [GPAEN]	PIO0 [GPALE]	NC	AE
AF	NC	SOUT1	PIO29 [DSR2]	PIO28 [CTS2]										PIO22 [GPIRQ1]	PIO21 [GPIRQ2]	PIO16 [GPIRQ7]	PIO15 [GPIRQ8]	PIO8 [GPDRQ0]	PIO7 [GPDRQ1]	PIO2 [GPRDY]	PIO1 [GPBHE]	NC	AF

CONNECTION DIAGRAM (Continued)

388-Pin Plastic BGA Package

Top View

	14	15	16	17	18	19	20	21	22	23	24	25	26		
A	MD7	MD23	MD9	MD25	MD11	MD27	MD28	MD13	MD14	MD30	MD31	GND_ANLG	VCC_RTC	A	
B	MD22	MD8	MD24	MD10	MD26	CLK-MEMOUT	MD12	MD29	GPA18 {RSTLD3}	MD15	ROMCS1 {GPCS1}	BBATSEN	VCC_ANLG	B	
C	GPA20 {RSTLD5}	GPD13	GPIOWR	GPD14	GPMEMWR	GPA21 {RSTLD6}	PWRGOOD	GPA19 {RSTLD4}	NC	ROMCS2 {GPCS2}	GPA15 {RSTLD0}	MECC0	MECC4	C	
D	GPD12	VCC_I/O	VCC_I/O	GPD15	VCC_CORE	VCC_CORE	PRGRESET	VCC_I/O	VCC_I/O	NC	GPA16 {RSTLD1}	MECC5	MECC1	D	
E										NC	GPA17 {RSTLD2}	SWEB	SWEA	E	
F										GPA7	GPMEMRD	SCASA	SCASB	F	
G										VCC_CORE	GPIORD	SDQM0	SDQM2	G	
H										VCC_CORE	GPA5	SDQM3	SDQM1	H	
J										GPA3	GPA0	SCS2	SCS3	J	
K										VCC_I/O	GPA2	SRASA	SRASB	K	
L	GND	GND	GND								VCC_I/O	GPA4	MA0	MA1	L
M	GND	GND	GND								GPA10	GPA8	MA3	MA2	M
N	GND	GND	GND								GPA11	GPA12	MA4	MA5	N
P	GND	GND	GND								VCC_CORE	GPA13	MA7	MA6	P
R	GND	GND	GND								VCC_CORE	GPA14	MA8	MA9	R
T	GND	GND	GND								NC	NC	BA0	MA10	T
U										SOUT2	CMDACK	BA1	MA11	U	
V										VCC_I/O	SIN2	SCS0	MA12	V	
W										VCC_I/O	CF_DRAM [WBMSTR2] {CFG2}	SCS1	MECC2	W	
Y										VCC_I/O	PITOUT2 {CFG3}	MECC3	MECC6	Y	
AA										VCC_I/O	TMRIN1 [GPCS4]	ROMBUOE	NC	AA	
AB										ROMRD	FLASHWR	BOOTCS	33MX TAL1	AB	
AC	VCC_CORE	VCC_CORE	NC	NC	VCC_I/O	VCC_I/O	TMRIN0 [GPCS5]	PITGATE2 [GPCS3]	GPRESET	TMROUT1 [GPCS6]	DATASTRB [WBMSTR1] {CFG1}	NC	33MX TAL2	AC	
AD	NC	NC	NC	NC	NC	SSI_CLK	CF_ROM_GPCS [WBMSTR0] {CFG0}	JTAG_TCK	RTS2	TMROUT0 [GPCS7]	BR/TC	NC	NC	AD	
AE	NC	NC	NC	NC	NC	SSI_DI	NC	JTAG_TMS	JTAG_TRST	DTR2	NC	NC	32KXTAL2	AE	
AF	NC	NC	NC	STOP/TX	NC	SSI_DO	NC	JTAG_TDI	JTAG_TDO	NC	LF_PLL1	NC	32KXTAL1	AF	

PIN DESIGNATIONS

This section identifies the pins of the ÉlanSC520 microcontroller and lists the signals associated with each pin.

In all tables the brackets, [], indicate alternate, multiplexed functions, and braces, { }, indicate reset configuration pins (pinstraps). The line over a pin name indicates an active Low signal. The word pin refers to the physical wire; the word signal refers to the electrical signal that flows through it.

- Pin designations are listed in the “Pin Designations (Pin Number)” table on page 11 and the Pin Designations (Pin Name) table on page 13.
- Table 2, “Signal Descriptions” on page 17 contains a description of the microcontroller signals organized alphabetically by functional group. Table 1 on page 16 defines terms used in Table 2.

The table includes columns listing the multiplexed functions and I/O type.

Refer to Appendix A, “Pin Tables,” on page A-1 for an additional group of tables with the following information:

- Multiplexed signal tradeoffs—Table 16 on page A-2.
- Programmable I/O pins ordered by 1) PIO pin number and 2) multiplexed signal name, respectively, including pin numbers, multiplexed functions, and pin configuration following system reset—Table 17 on page A-4 and Table 18 on page A-5.
- Comprehensive pin and signal summary showing signal name and alternate function, pin number, I/O type, maximum load values, power-on reset default function, reset state, power-on reset default operation, hold state, and voltage—Table 20 on page A-7.

Pin Designations (Pin Number¹)

Pin #	Signal Name	Pin #	Signal Name	Pin #	Signal Name	Pin #	Signal Name	Pin #	Signal Name
A1	AD30	B19	CLKMEMOUT	D11	VCC_CORE	H23	VCC_CORE	M23	GPA10
A2	AD31	B20	MD12	D12	VCC_CORE	H24	GPA5	M24	GPA8
A3	NC	B21	MD29	D13	GPD11	H25	SDQM3	M25	MA3
A4	CLKMEMIN	B22	GPA18{RSTLD3}	D14	GPD12	H26	SDQM1	M26	MA2
A5	RST	B23	MD15	D15	VCC_I/O	J1	AD18	N1	STOP
A6	CLKPCIOUT	B24	ROMCS1{GPCS1}	D16	VCC_I/O	J2	AD17	N2	PERR
A7	CLKTIMER [CLKTEST]	B25	BBATSEN	D17	GPD15	J3	INTB	N3	REQ1
A8	MD1	B26	VCC_ANLG	D18	VCC_CORE	J4	VCC_I/O	N4	GNT1
A9	MD17	C1	GPA6	D19	VCC_CORE	J23	GPA3	N11	GND
A10	MD3	C2	GPA9	D20	PRGRESET	J24	GPA0	N12	GND
A11	MD19	C3	GPA25 {DEBUG_ENTER}	D21	VCC_I/O	J25	SCS2	N13	GND
A12	MD5	C4	GPD0	D22	VCC_I/O	J26	SCS3	N14	GND
A13	MD21	C5	NC	D23	NC	K1	CBE2	N15	GND
A14	MD7	C6	NC	D24	GPA16{RSTLD1}	K2	AD16	N16	GND
A15	MD23	C7	GPD2	D25	MECC5	K3	INTA	N23	GPA11
A16	MD9	C8	GPD3	D26	MECC1	K4	VCC_I/O	N24	GPA12
A17	MD25	C9	GPD4	E1	AD25	K23	VCC_I/O	N25	MA4
A18	MD11	C10	GPD7	E2	AD24	K24	GPA2	N26	MA5
A19	MD27	C11	GPD8	E3	NC	K25	SRASA	P1	PAR
A20	MD28	C12	GPD9	E4	VCC_CORE	K26	SRASB	P2	SERR
A21	MD13	C13	GPD10	E23	NC	L1	FRAME	P3	GNT2
A22	MD14	C14	GPA20{RSTLD5}	E24	GPA17{RSTLD2}	L2	IRDY	P4	REQ2
A23	MD30	C15	GPD13	E25	SWEB	L3	REQ0	P11	GND
A24	MD31	C16	GPIOWR	E26	SWEA	L4	VCC_I/O	P12	GND
A25	GND_ANLG	C17	GPD14	F1	AD23	L11	GND	P13	GND
A26	VCC_RTC	C18	GPMEMWR	F2	CBE3	L12	GND	P14	GND
B1	AD29	C19	GPA21{RSTLD6}	F3	GPA22{RSTLD7}	L13	GND	P15	GND
B2	AD28	C20	PWRGOOD	F4	VCC_CORE	L14	GND	P16	GND
B3	NC	C21	GPA19{RSTLD4}	F23	GPA7	L15	GND	P23	VCC_CORE
B4	NC	C22	NC	F24	GPMEMRD	L16	GND	P24	GPA13
B5	GPD1	C23	ROMCS2{GPCS2}	F25	SCASA	L23	VCC_I/O	P25	MA7
B6	NC	C24	GPA15{RSTLD0}	F26	SCASB	L24	GPA4	P26	MA6
B7	MD0	C25	MECC0	G1	AD22	L25	MA0	R1	CBE1
B8	MD16	C26	MECC4	G2	AD21	L26	MA1	R2	AD15
B9	MD2	D1	AD26	G3	CLKPCIIN	M1	DEVSEL	R3	REQ3
B10	MD18	D2	AD27	G4	GPA1	M2	TRDY	R4	VCC_CORE
B11	MD4	D3	GPA23 {AMDEBUG_DIS}	G23	VCC_CORE	M3	GNT0	R11	GND
B12	MD20	D4	GPA24 {INST_TRCE}	G24	GPIORD	M4	VCC_I/O	R12	GND
B13	MD6	D5	VCC_I/O	G25	SDQM0	M11	GND	R13	GND
B14	MD22	D6	VCC_I/O	G26	SDQM2	M12	GND	R14	GND
B15	MD8	D7	VCC_I/O	H1	AD19	M13	GND	R15	GND
B16	MD24	D8	VCC_I/O	H2	AD20	M14	GND	R16	GND
B17	MD10	D9	GPD5	H3	INTC	M15	GND	R23	VCC_CORE
B18	MD26	D10	GPD6	H4	INTD	M16	GND	R24	GPA14

Pin Designations (Pin Number¹) (Continued)

Pin #	Signal Name	Pin #	Signal Name	Pin #	Signal Name	Pin #	Signal Name	Pin #	Signal Name
R25	MA8	W3	DTR1	AC5	VCC_CORE	AD13	NC	AE21	JTAG_TMS
R26	MA9	W4	RTS1	AC6	VCC_CORE	AD14	NC	AE22	JTAG_TRST
T1	AD13	W23	VCC_I/O	AC7	VCC_CORE	AD15	NC	AE23	DTR2
T2	AD14	W24	CF_DRAM [WBMSTR2][CFG2]	AC8	PIO12 [GPDACK0]	AD16	NC	AE24	NC
T3	GNT3	W25	SCS1	AC9	PIO11[GPDACK1]	AD17	NC	AE25	NC
T4	VCC_CORE	W26	MECC2	AC10	VCC_I/O	AD18	NC	AE26	32KXTAL2
T11	GND	Y1	AD6	AC11	VCC_I/O	AD19	SSI_CLK	AF1	NC
T12	GND	Y2	AD7	AC12	NC	AD20	CF_ROM_GPCS [WBMSTRO][CFG0]	AF2	SOUT1
T13	GND	Y3	DSR1	AC13	TRIG/TRACE	AD21	JTAG_TCK	AF3	PIO29[DSR2]
T14	GND	Y4	VCC_I/O	AC14	VCC_CORE	AD22	RTS2	AF4	PIO28[CTS2]
T15	GND	Y23	VCC_I/O	AC15	VCC_CORE	AD23	TMROUT0 [GPCS7]	AF5	PIO22[GPIRQ1]
T16	GND	Y24	PITOUT2[CFG3]	AC16	NC	AD24	BR/TC	AF6	PIO21[GPIRQ2]
T23	NC	Y25	MECC3	AC17	NC	AD25	NC	AF7	PIO16[GPIRQ7]
T24	NC	Y26	MECC6	AC18	VCC_I/O	AD26	NC	AF8	PIO15[GPIRQ8]
T25	BA0	AA1	AD5	AC19	VCC_I/O	AE1	NC	AF9	PIO8[GPDRQ0]
T26	MA10	AA2	AD4	AC20	TMRIN0[GPCS5]	AE2	SIN1	AF10	PIO7[GPDRQ1]
U1	AD12	AA3	RIN1	AC21	PITGATE2[GPCS3]	AE3	PIO30[DCD2]	AF11	PIO2[GPRDY]
U2	AD11	AA4	VCC_I/O	AC22	GPRESET	AE4	PIO27[GPCS0]	AF12	PIO1[GPBHE]
U3	REQ4	AA23	VCC_I/O	AC23	TMROUT1[GPCS6]	AE5	PIO23[GPIRQ0]	AF13	NC
U4	GNT4	AA24	TMRIN1[GPCS4]	AC24	DATASTRB [WBMSTR1][CFG1]	AE6	PIO20[GPIRQ3]	AF14	NC
U23	SOUT2	AA25	ROMBUFOE	AC25	NC	AE7	PIO17[GPIRQ6]	AF15	NC
U24	CMDACK	AA26	NC	AC26	33MXTAL2	AE8	PIO14[GPIRQ9]	AF16	NC
U25	BA1	AB1	AD2	AD1	NC	AE9	PIO9[GPDACK3]	AF17	STOP/TX
U26	MA11	AB2	AD3	AD2	NC	AE10	PIO6[GPDRQ2]	AF18	NC
V1	AD9	AB3	NC	AD3	PIO31[RIN2]	AE11	PIO3[GPAEN]	AF19	SSI_DO
V2	AD10	AB4	NC	AD4	PIO26 [GPMEMCS16]	AE12	PIO0[GPALE]	AF20	NC
V3	CTS1	AB23	ROMRD	AD5	PIO24[GPDBUFOE]	AE13	NC	AF21	JTAG_TDI
V4	DCD1	AB24	FLASHWR	AD6	PIO19[GPIRQ4]	AE14	NC	AF22	JTAG_TDO
V23	VCC_I/O	AB25	BOOTCS	AD7	PIO18[GPIRQ5]	AE15	NC	AF23	NC
V24	SIN2	AB26	33MXTAL1	AD8	PIO13[GPIRQ10]	AE16	NC	AF24	LF_PLL1
V25	SCS0	AC1	AD1	AD9	PIO10[GPDACK2]	AE17	NC	AF25	NC
V26	MA12	AC2	AD0	AD10	PIO5[GPDRQ3]	AE18	NC	AF26	32KXTAL1
W1	AD8	AC3	NC	AD11	PIO4[GPTC]	AE19	SSI_DI		
W2	CBE0	AC4	PIO25[GPIOCS16]	AD12	NC	AE20	NC		

Notes:

1. See Table 17 on page A-4 for PIOs sorted by pin number.

Pin Designations (Pin Name¹)

Signal Name	Pin #	Signal Name	Pin #	Signal Name	Pin #	Signal Name	Pin #	Signal Name	Pin #
32KXTAL1	AF26	{AMDEBUG_DIS} GPA23	D3	GND	L11	GND_ANLG	A25	[GPCS1]ROMCS1	B24
32KXTAL2	AE26	BA0	T25	GND	L12	GNT0	M3	[GPCS2]ROMCS2	C23
33MXTAL1	AB26	BA1	U25	GND	L13	GNT1	N4	[GPCS3]PITGATE2	AC21
33MXTAL2	AC26	BBATSEN	B25	GND	L14	GNT2	P3	[GPCS4]TMRIN1	AA24
AD0	AC2	BOOTCS	AB25	GND	L15	GNT3	T3	[GPCS5]TMRIN0	AC20
AD1	AC1	BR/TC	AD24	GND	L16	GNT4	U4	[GPCS6]TMR0UT1	AC23
AD2	AB1	CBE0	W2	GND	M11	GPA0	J24	[GPCS7]TMR0UT0	AD23
AD3	AB2	CBE1	R1	GND	M12	GPA1	G4	GPD0	C4
AD4	AA2	CBE2	K1	GND	M13	GPA2	K24	GPD1	B5
AD5	AA1	CBE3	F2	GND	M14	GPA3	J23	GPD2	C7
AD6	Y1	CF_DRAM [WBMSTR2]{CFG2}	W24	GND	M15	GPA4	L24	GPD3	C8
AD7	Y2	CF_ROM_GPCS [WBMSTR0]{CFG0}	AD20	GND	M16	GPA5	H24	GPD4	C9
AD8	W1	{CFG0} CF_ROM_GPCS [WBMSTR0]	AD20	GND	N11	GPA6	C1	GPD5	D9
AD9	V1	{CFG1}DATASTRB [WBMSTR1]	AC24	GND	N12	GPA7	F23	GPD6	D10
AD10	V2	{CFG2}CF_DRAM [WBMSTR2]	W24	GND	N13	GPA8	M24	GPD7	C10
AD11	U2	{CFG3}PITOUT2	Y24	GND	N14	GPA9	C2	GPD8	C11
AD12	U1	CLKMEMIN	A4	GND	N15	GPA10	M23	GPD9	C12
AD13	T1	CLKMEMOUT	B19	GND	N16	GPA11	N23	GPD10	C13
AD14	T2	CLKPCIIN	G3	GND	P11	GPA12	N24	GPD11	D13
AD15	R2	CLKPCIOUT	A6	GND	P12	GPA13	P24	GPD12	D14
AD16	K2	CLKTEST [CLKTIMER]	A7	GND	P13	GPA14	R24	GPD13	C15
AD17	J2	[CLKTIMER] CLKTEST	A7	GND	P14	GPA15{RSTLD0}	C24	GPD14	C17
AD18	J1	CMDACK	U24	GND	P15	GPA16{RSTLD1}	D24	GPD15	D17
AD19	H1	CTS1	V3	GND	P16	GPA17{RSTLD2}	E24	[GPDACK0]PIO12	AC8
AD20	H2	[CTS2]PIO28	AF4	GND	R11	GPA18{RSTLD3}	B22	[GPDACK1]PIO11	AC9
AD21	G2	DATASTRB [WBMSTR1]{CFG1}	AC24	GND	R12	GPA19{RSTLD4}	C21	[GPDACK2]PIO10	AD9
AD22	G1	DCD1	V4	GND	R13	GPA20{RSTLD5}	C14	[GPDACK3]PIO9	AE9
AD23	F1	[DCD2]PIO30	AE3	GND	R14	GPA21{RSTLD6}	C19	[GPDBUFOE] PIO24	AD5
AD24	E2	{DEBUG_ENTER} GPA25	C3	GND	R15	GPA22{RSTLD7}	F3	[GPDRQ0]PIO8	AF9
AD25	E1	DEVSEL	M1	GND	R16	GPA23 {AMDEBUG_DIS}	D3	[GPDRQ1]PIO7	AF10
AD26	D1	DSR1	Y3	GND	T11	GPA24 {INST_TRCE}	D4	[GPDRQ2]PIO6	AE10
AD27	D2	[DSR2]PIO29	AF3	GND	T12	GPA25 {DEBUG_ENTER}	C3	[GPDRQ3]PIO5	AD10
AD28	B2	DTR1	W3	GND	T13	[GPAEN]PIO3	AE11	[GPIOCS16]PIO25	AC4
AD29	B1	DTR2	AE23	GND	T14	[GPALE]PIO0	AE12	GPIO RD	G24
AD30	A1	FLASHWR	AB24	GND	T15	[GPBHE]PIO1	AF12	GPIO WR	C16
AD31	A2	FRAME	L1	GND	T16	[GPCS0]PIO27	AE4	[GPIRQ0]PIO23	AE5

Pin Designations (Pin Name¹) (Continued)

Signal Name	Pin #	Signal Name	Pin #	Signal Name	Pin #	Signal Name	Pin #	Signal Name	Pin #
[GPIRQ1]PIO22	AF5	MA8	R25	MD31	A24	NC	AE24	PIO12[GPDACK0]	AC8
[GPIRQ2]PIO21	AF6	MA9	R26	MECC0	C25	NC	AE25	PIO13[GPIRQ10]	AD8
[GPIRQ3]PIO20	AE6	MA10	T26	MECC1	D26	NC	AF1	PIO14[GPIRQ9]	AE8
[GPIRQ4]PIO19	AD6	MA11	U26	MECC2	W26	NC	AF13	PIO15[GPIRQ8]	AF8
[GPIRQ5]PIO18	AD7	MA12	V26	MECC3	Y25	NC	AF14	PIO16[GPIRQ7]	AF7
[GPIRQ6]PIO17	AE7	MD0	B7	MECC4	C26	NC	AF15	PIO17[GPIRQ6]	AE7
[GPIRQ7]PIO16	AF7	MD1	A8	MECC5	D25	NC	AF16	PIO18[GPIRQ5]	AD7
[GPIRQ8]PIO15	AF8	MD2	B9	MECC6	Y26	NC	AF18	PIO19[GPIRQ4]	AD6
[GPIRQ9]PIO14	AE8	MD3	A10	NC	A3	NC	AF20	PIO20[GPIRQ3]	AE6
[GPIRQ10]PIO13	AD8	MD4	B11	NC	AA26	NC	AF23	PIO21[GPIRQ2]	AF6
[GPMEMCS16] PIO26	AD4	MD5	A12	NC	AB3	NC	AF25	PIO22[GPIRQ1]	AF5
GPMEMRD	F24	MD6	B13	NC	AB4	NC	B3	PIO23[GPIRQ0]	AE5
GPMEMWR	C18	MD7	A14	NC	AC3	NC	B4	PIO24 [GPDBUFOE]	AD5
[GPRDY]PIO2	AF11	MD8	B15	NC	AC12	NC	B6	PIO25 [GPIOCS16]	AC4
GPRESET	AC22	MD9	A16	NC	AC16	NC	C5	PIO26 [GPMEMCS16]	AD4
[GPTC]PIO4	AD11	MD10	B17	NC	AC17	NC	C6	PIO27[GPCS0]	AE4
{INST_TRCE} GPA24	D4	MD11	A18	NC	AC25	NC	C22	PIO28[CTS2]	AF4
INTA	K3	MD12	B20	NC	AD1	NC	D23	PIO29[DSR2]	AF3
INTB	J3	MD13	A21	NC	AD2	NC	E3	PIO30[DCD2]	AE3
INTC	H3	MD14	A22	NC	AD12	NC	E23	PIO31[RIN2]	AD3
INTD	H4	MD15	B23	NC	AD13	NC	T23	PITGATE2 [GPCS3]	AC21
IRDY	L2	MD16	B8	NC	AD14	NC	T24	PITOUT2{CFG3}	Y24
JTAG_TCK	AD21	MD17	A9	NC	AD15	PAR	P1	PRGRESET	D20
JTAG_TDI	AF21	MD18	B10	NC	AD16	PERR	N2	PWRGOOD	C20
JTAG_TDO	AF22	MD19	A11	NC	AD17	PIO0[GPALE]	AE12	REQ0	L3
JTAG_TMS	AE21	MD20	B12	NC	AD18	PIO1[GPBHE]	AF12	REQ1	N3
JTAG_TRST	AE22	MD21	A13	NC	AD25	PIO2[GPRDY]	AF11	REQ2	P4
LF_PLL1	AF24	MD22	B14	NC	AD26	PIO3[GPAEN]	AE11	REQ3	R3
MA0	L25	MD23	A15	NC	AE1	PIO4[GPTC]	AD11	REQ4	U3
MA1	L26	MD24	B16	NC	AE13	PIO5[GPDRQ3]	AD10	RIN1	AA3
MA2	M26	MD25	A17	NC	AE14	PIO6[GPDRQ2]	AE10	[RIN2]PIO31	AD3
MA3	M25	MD26	B18	NC	AE15	PIO7[GPDRQ1]	AF10	ROMBUFOE	AA25
MA4	N25	MD27	A19	NC	AE16	PIO8[GPDRQ0]	AF9	ROMCS1[GPCS1]	B24
MA5	N26	MD28	A20	NC	AE17	PIO9[GPDACK3]	AE9	ROMCS2 [GPCS2]	C23
MA6	P26	MD29	B21	NC	AE18	PIO10[GPDACK2]	AD9	ROMRD	AB23
MA7	P25	MD30	A23	NC	AE20	PIO11[GPDACK1]	AC9	RST	A5

Pin Designations (Pin Name¹) (Continued)

Signal Name	Pin #	Signal Name	Pin #	Signal Name	Pin #	Signal Name	Pin #	Signal Name	Pin #
{RSTLD0}GPA15	C24	SDQM1	H26	TMRIN0[GPCS5]	AC20	VCC_CORE	F4	VCC_I/O	D15
{RSTLD1}GPA16	D24	SDQM2	G26	TMRIN1[GPCS4]	AA24	VCC_CORE	G23	VCC_I/O	D16
{RSTLD2}GPA17	E24	SDQM3	H25	TMROUT0 [GPCS7]	AD23	VCC_CORE	H23	VCC_I/O	D21
{RSTLD3}GPA18	B22	$\overline{\text{SERR}}$	P2	TMROUT1 [GPCS6]	AC23	VCC_CORE	P23	VCC_I/O	D22
{RSTLD4}GPA19	C21	SIN1	AE2	TRDY	M2	VCC_CORE	R23	VCC_I/O	J4
{RSTLD5}GPA20	C14	SIN2	V24	TRIG/TRACE	AC13	VCC_CORE	R4	VCC_I/O	K23
{RSTLD6}GPA21	C19	SOUT1	AF2	VCC_ANLG	B26	VCC_CORE	T4	VCC_I/O	K4
{RSTLD7}GPA22	F3	SOUT2	U23	VCC_CORE	AC5	VCC_I/O	AA23	VCC_I/O	L4
$\overline{\text{RTS1}}$	W4	$\overline{\text{SRASA}}$	K25	VCC_CORE	AC6	VCC_I/O	AA4	VCC_I/O	L23
$\overline{\text{RTS2}}$	AD22	$\overline{\text{SRASB}}$	K26	VCC_CORE	AC7	VCC_I/O	AC10	VCC_I/O	M4
$\overline{\text{SCASA}}$	F25	SSI_CLK	AD19	VCC_CORE	AC14	VCC_I/O	AC11	VCC_I/O	V23
$\overline{\text{SCASB}}$	F26	SSI_DI	AE19	VCC_CORE	AC15	VCC_I/O	AC18	VCC_I/O	W23
$\overline{\text{SCS0}}$	V25	SSI_DO	AF19	VCC_CORE	D11	VCC_I/O	AC19	VCC_I/O	Y4
$\overline{\text{SCS1}}$	W25	$\overline{\text{STOP}}$	N1	VCC_CORE	D12	VCC_I/O	D5	VCC_I/O	Y23
$\overline{\text{SCS2}}$	J25	STOP/TX	AF17	VCC_CORE	D18	VCC_I/O	D6	VCC_RTC	A26
$\overline{\text{SCS3}}$	J26	$\overline{\text{SWEA}}$	E26	VCC_CORE	D19	VCC_I/O	D7	{VBMSTR0}{CFG0} CF_ROM_GPCS	AD20
SDQM0	G25	$\overline{\text{SWEB}}$	E25	VCC_CORE	E4	VCC_I/O	D8	{VBMSTR1}{CFG1} DATASTRB	AC24
								{VBMSTR2}{CFG2} CF_DRAM	W24

Notes:

1. See Table 17 on page A-4 for PIOs sorted by pin number.

SIGNAL DESCRIPTIONS

Table 2, “Signal Descriptions” on page 17 contains a description of the ÉlanSC520 microcontroller signals. The microcontroller contains 258 signal pins in addition to power and ground pins in a Plastic Ball Grid Array (PBGA) package.

Table 1 describes the terms used in the signal description table. The signals are organized alphabetically within the following functional groups:

- Synchronous DRAM (page 17)
- ROM/Flash (page 18)
- PCI bus (page 18)
- GP bus (page 19)
- Serial ports (page 21)
- Clocks and reset (page 22)
- JTAG (page 23)
- AMDebug™ Interface (page 23)
- System test (page 23)
- Chip selects (page 24)
- Programmable I/O (PIO) (page 25)
- Timers (page 25)
- Configuration (page 26)
- Power (page 27)

Table 1. Signal Descriptions Table Definitions

Term	Definition
General Terms	
[]	Indicates the pin alternate function; a pin defaults to the signal named without the brackets.
{ }	Indicates the reset configuration pin (pinstrap).
pin	Refers to the physical wire.
signal	Refers to the electrical signal that flows across a pin.
SIGNAL	A line over a signal name indicates that the signal is active Low; a signal name without a line is active High.
Signal Types	
Analog	Analog voltage
B	Bidirectional
H	High
I	Input
LS	Programmable to hold last state of pin
O	Totem pole output
O/TS	Totem pole output/three-state output
OD	Open-drain output
OD-O	Open-drain output or totem pole output
Osc	Oscillator
PD	Internal pulldown resistor (~100–150 kΩ)
Power	Power pins
PU	Internal pullup resistor (~100–150 kΩ)
STI	Schmitt trigger input
STI-OD	Schmitt trigger input or open-drain output
TS	Three-state output

Table 2. Signal Descriptions

Signal	Multiplexed Signal	Type	Description
Synchronous DRAM			
BA1–BA0	—	O	Bank Address is the SDRAM bank address bus.
CLKMEMIN	—	I	SDRAM Clock Input is the SDRAM clock return signal used to minimize skew between the internal SDRAM clock and the CLKMEMOUT signal provided to the SDRAM devices. This signal compensates for buffer and load delays introduced by the board design.
CLKMEMOUT	—	O	SDRAM Clock Output is the 66-MHz clock that provides clock signaling for the synchronous DRAM devices. This clock may require an external Low skew buffer for system implementations that result in heavy loading on the SDRAM clock signal.
MA12–MA0	—	O	SDRAM Address is the SDRAM multiplexed address bus.
MD31–MD0	—	B	SDRAM Data Bus inputs data during SDRAM read cycles and outputs data during SDRAM write cycles.
MECC6–MECC0	—	B	Memory Error Correction Code contains the ECC checksum (syndrome) bits used to validate and correct data errors.
\overline{SCASA} – \overline{SCASB}	—	O	<p>Column Address Strobes are used in combination with the \overline{SRASA}–\overline{SRASB} and \overline{SWEA}–\overline{SWEB} to encode the SDRAM command type.</p> <p>\overline{SCASA} and \overline{SCASB} are the same signal provided on two different pins to reduce the total load connected to \overline{CAS}.</p> <p>Suggested system connection: \overline{SCASA} for SDRAM banks 0 and 1 \overline{SCASB} for SDRAM banks 2 and 3</p>
$\overline{SCS3}$ – $\overline{SCS0}$	—	O	SDRAM Chip Selects are the SDRAM chip-select outputs. These signals are asserted to select a bank of SDRAM devices. The chip-select signals enable the SDRAM devices to decode the commands asserted via \overline{SRASA} – \overline{SRASB} , \overline{SCASA} – \overline{SCASB} , and \overline{SWEA} – \overline{SWEB} .
SDQM3–SDQM0	—	O	Data Input/Output Masks make SDRAM data output high-impedance and blocks data input on SDRAM while active. Each of the four SDQM3–SDQM0 signals is associated with one byte of four throughout the array. Each SDQMx signal provides an input mask signal for write accesses and an output enable signal for read accesses.
\overline{SRASA} – \overline{SRASB}	—	O	<p>Row Address Strobes are used in combination with the \overline{SCASA}–\overline{SCASB} and \overline{SWEA}–\overline{SWEB} to encode the SDRAM command type.</p> <p>\overline{SRASA} and \overline{SRASB} are the same signal provided on two different pins to reduce the total load connected to \overline{RAS}.</p> <p>Suggested system connection: \overline{SRASA} for SDRAM banks 0 and 1 \overline{SRASB} for SDRAM banks 2 and 3</p>
\overline{SWEA} – \overline{SWEB}	—	O	<p>SDRAM Memory Write Enables are used in combination with the \overline{SRASA}–\overline{SRASB} and \overline{SCASA}–\overline{SCASB} to encode the SDRAM command type.</p> <p>\overline{SWEA} and \overline{SWEB} are the same signal provided on two different pins to reduce the total load connected to \overline{WE}.</p> <p>Suggested system connection: \overline{SWEA} for SDRAM banks 0 and 1 \overline{SWEB} for SDRAM banks 2 and 3</p>

Table 2. Signal Descriptions (Continued)

Signal	Multiplexed Signal	Type	Description
ROM/Flash			
$\overline{\text{BOOTCS}}$	—	O	ROM/Flash Boot Chip Select is an active Low output that provides the chip select for the startup ROM and/or the ROM/Flash array (BIOS, HAL, O/S, etc.). The $\overline{\text{BOOTCS}}$ signal asserts for accesses made to the 64-Kbyte segment that contains the Am5 _x 86 CPU boot vector: addresses 3FF0000h–3FFFFFFh. In addition to this linear decode region, $\overline{\text{BOOTCS}}$ asserts in response to accesses to user-programmable address regions.
$\overline{\text{FLASHWR}}$	—	O	Flash Write indicates that the current cycle is a write of the selected Flash device. When this signal is asserted, the selected Flash device can latch data from the data bus.
GPA25–GPA0	—	O	General-Purpose Address Bus provides the address to the system's ROM/Flash devices. It is also the address bus for the GP bus devices. Twenty-six address lines provide a maximum addressable space of 64 Mbytes for each ROM chip select.
GPD15–GPD0	—	B	General-Purpose Data Bus inputs data during memory and I/O read cycles and outputs data during memory and I/O write cycles. A reset configuration pin (CFG2) allows the GP bus to be used for the boot chip-select ROM interface. Configuration registers are used to select whether $\overline{\text{ROMCS2}}$ and $\overline{\text{ROMCS1}}$ use the GP bus data bus or the MD data bus. The GP data bus supports 16-bit or 8-bit ROM interfaces. Two data buses are selectable to facilitate the use of ROM in a mixed voltage system.
MD31–MD0	—	B	Memory Data Bus inputs data during SDRAM read cycles and outputs data during SDRAM write cycles. Configuration registers are used to select whether $\overline{\text{ROMCS2}}$ and $\overline{\text{ROMCS1}}$ use the GP bus data bus or the MD data bus. A reset configuration pin (CFG2) allows the GP data bus to be used for $\overline{\text{BOOTCS}}$. The memory data bus supports an 8-, 16-, or 32-bit ROM interface.
$\overline{\text{ROMBUFOE}}$	—	O	ROM Buffer Output Enable is an optional signal used to enable a buffer to the ROM/Flash devices if they need to be isolated from the ÉlanSC520 microcontroller, other GP bus devices, or SDRAM system for voltage or loading considerations. This signal asserts for all accesses through the ROM controller. The buffer direction is controlled by the $\overline{\text{ROMRD}}$ or $\overline{\text{FLASHWR}}$ signal.
$\overline{\text{ROMCS2}}$	[$\overline{\text{GPCS2}}$]	O	ROM/Flash Chip Selects are signals that can be programmed to be asserted for accesses to user-programmable address regions.
$\overline{\text{ROMCS1}}$	[$\overline{\text{GPCS1}}$]	O	
$\overline{\text{ROMRD}}$	—	O	ROM/Flash Read indicates that the current cycle is a read of the selected ROM/Flash device. When this signal is asserted, the selected ROM device can drive data onto the data bus.
Peripheral Component Interconnect (PCI) Bus			
AD31–AD0	—	B	PCI Address Data Bus is the PCI time-multiplexed address/data bus.
$\overline{\text{CBE3}}-\overline{\text{CBE0}}$	—	B	Command or Byte-Enable Bus functions 1) as a time-multiplexed bus command that defines the type of transaction on the AD bus, or 2) as byte enables: $\overline{\text{CBE0}}$ for AD7–AD0 $\overline{\text{CBE1}}$ for AD15–AD8 $\overline{\text{CBE2}}$ for AD23–AD16 $\overline{\text{CBE3}}$ for AD31–AD24
CLKPCIIN	—	I	PCI Bus Clock Input is the 33-MHz PCI bus clock. This pin can be connected to the CLKPCIOUT pin for systems where the ÉlanSC520 microcontroller is the source of the PCI bus clock.

Table 2. Signal Descriptions (Continued)

Signal	Multiplexed Signal	Type	Description
CLKPCIOUT	—	O	PCI Bus Clock Output is a 33-MHz clock output for the PCI bus devices. This signal is derived from the 33MXTAL1/33MXTAL2 interface.
$\overline{\text{DEVSEL}}$	—	B	Device Select is asserted by the target when it has decoded its address as the target of the current transaction.
$\overline{\text{FRAME}}$	—	B	Frame is driven by the transaction initiator to indicate the start and duration of the transaction.
$\overline{\text{GNT4}}\text{--}\overline{\text{GNT0}}$	—	O	Bus Grants are asserted by the ÉlanSC520 microcontroller to grant access to the bus.
$\overline{\text{INTA}}\text{--}\overline{\text{INTD}}$	—	I	Interrupt Requests are asserted to request an interrupt. These four interrupts are the same type of interrupt as the GPIRQ10–GPIRQ0 signals, and they go to the same interrupt controller. They are named $\overline{\text{INTx}}$ to match the common PCI interrupt naming convention. Configuration registers allow inversion of these interrupt requests to recognize active low interrupt requests. These interrupt requests can be routed to generate NMI.
$\overline{\text{IRDY}}$	—	B	Initiator Ready is asserted by the current bus master to indicate that data is ready on the bus (write) or that the master is ready to accept data (read).
PAR	—	B	PCI Parity is driven by the initiator or target to indicate parity on the AD31–AD0 and $\overline{\text{CBE3}}\text{--}\overline{\text{CBE0}}$ buses.
$\overline{\text{PERR}}$	—	B	Parity Error is asserted to indicate a PCI bus data parity error in the previous clock cycle.
$\overline{\text{REQ4}}\text{--}\overline{\text{REQ0}}$	—	I	Bus Requests are asserted by the master to request access to the bus.
$\overline{\text{RST}}$	—	O	Reset is asserted to reset the PCI devices.
$\overline{\text{SERR}}$	—	I	System Error is used for reporting address parity errors or any other system error where the result is catastrophic.
$\overline{\text{STOP}}$	—	B	Stop is asserted by the target to request that the current bus transaction be stopped.
$\overline{\text{TRDY}}$	—	B	Target Ready is asserted by the currently addressed target to indicate its ability to complete the current data phase of a transaction.
General-Purpose Bus (GP Bus)			
GPA14–GPA0	—	O	General-Purpose Address Bus outputs the physical memory or I/O port address. Twenty-six address lines provide a maximum addressable space of 64 Mbytes. This bus also provides the address to the system's ROM/Flash devices.
GPA15	{RSTLD0}	O{I}	
GPA16	{RSTLD1}	O{I}	
GPA17	{RSTLD2}	O{I}	
GPA18	{RSTLD3}	O{I}	
GPA19	{RSTLD4}	O{I}	
GPA20	{RSTLD5}	O{I}	
GPA21	{RSTLD6}	O{I}	
GPA22	{RSTLD7}	O{I}	
GPA23	{AMDEBUG_DIS}	O{I}	
GPA24	{INST_TRCE}	O{I}	
GPA25	{DEBUG_ENTER}	O{I}	

Table 2. Signal Descriptions (Continued)

Signal	Multiplexed Signal	Type	Description
[GPAEN]	PIO3	O	GP Bus Address Enable indicates that the current address on the GPA25–GPA0 address bus is a memory address, and that the current cycle is a DMA cycle. All I/O devices should use this signal in decoding their I/O addresses and should not respond when this signal is asserted. When GPAEN is asserted, the $\overline{\text{GPDACKx}}$ signals are used to select the appropriate I/O device for the DMA transfer. GPAEN also asserts when a DMA cycle is occurring internally.
[GPALE]	PIO0	O	GP Bus Address Latch Enable is driven at the beginning of a GP bus cycle with valid address. This signal can be used by external devices to latch the GP address for the current cycle.
[$\overline{\text{GPBHE}}$]	PIO1	O	GP Bus Byte High Enable is driven active when data is to be transferred on the upper 8 bits of the GP data bus.
GPD15–GPD0	—	B	General-Purpose Data Bus inputs data during memory and I/O read cycles, and outputs data during memory and I/O write cycles.
[$\overline{\text{GPDACK0}}$]	PIO12	O	GP Bus DMA Acknowledge can each be mapped to one of the seven available DMA channels. They are asserted active Low to acknowledge the corresponding DMA requests.
[$\overline{\text{GPDACK1}}$]	PIO11	O	
[$\overline{\text{GPDACK2}}$]	PIO10	O	
[$\overline{\text{GPDACK3}}$]	PIO9	O	
[$\overline{\text{GPDBUFOE}}$]	PIO24	O	GP Bus Data Bus Buffer Output Enable is used to control the output enable on an external transceiver that may be on the GP data bus. Using this transceiver is optional in the system design and is necessary only to alleviate loading or voltage issues. This pin is asserted for all external GP bus accesses. It is not asserted during accesses to the internal peripherals even if GP bus echo mode is enabled. Note that if the ROM is configured to use the GP data bus, then its bytes are not controlled by this buffer enable; they are controlled by the $\overline{\text{ROMBUFOE}}$ signal.
[GPDRQ0]	PIO8	I	GP Bus DMA Request can each be mapped to one of the seven available DMA channels. They are asserted active High to request DMA service.
[GPDRQ1]	PIO7	I	
[GPDRQ2]	PIO6	I	
[GPDRQ3]	PIO5	I	
[$\overline{\text{GPIOCS16}}$]	PIO25	STI	GP Bus I/O Chip-Select 16 is driven active early in the cycle by the targeted I/O device on the GP bus to request a 16-bit I/O transfer.
$\overline{\text{GPIORD}}$	—	O	GP Bus I/O Read indicates that the current cycle is a read of the currently addressed I/O device on the GP bus. When this signal is asserted, the selected I/O device can drive data onto the data bus.
$\overline{\text{GPIOWR}}$	—	O	GP Bus I/O Write indicates that the current cycle is a write of the currently addressed I/O device on the GP bus. When this signal is asserted, the selected I/O device can latch data from the data bus.

Table 2. Signal Descriptions (Continued)

Signal	Multiplexed Signal	Type	Description
[GPIRQ0]	PIO23	I	GP Bus Interrupt Request can each be mapped to one of the available interrupt channels or NMI. They are asserted when a peripheral requires interrupt service. Configuration registers allow inversion of these interrupt requests to recognize active low interrupt requests. These interrupt requests can be routed to generate NMI.
[GPIRQ1]	PIO22	I	
[GPIRQ2]	PIO21	I	
[GPIRQ3]	PIO20	I	
[GPIRQ4]	PIO19	I	
[GPIRQ5]	PIO18	I	
[GPIRQ6]	PIO17	I	
[GPIRQ7]	PIO16	I	
[GPIRQ8]	PIO15	I	
[GPIRQ9]	PIO14	I	
[GPIRQ10]	PIO13	I	
[GPMEMCS16]	PIO26	STI	GP Bus Memory Chip-Select 16 is driven active early in the cycle by the targeted memory device on the GP bus to request a 16-bit memory transfer.
[GPMEMRD]	—	O	GP Bus Memory Read indicates that the current GP bus cycle is a read of the selected memory device. When this signal is asserted, the selected memory device can drive data onto the data bus.
[GPMEMWR]	—	O	GP Bus Memory Write indicates that the current GP bus cycle is a write of the selected memory device. When this signal is asserted, the selected memory device can latch data from the data bus.
[GPRDY]	PIO2	STI	GP Bus Ready can be driven by open-drain devices. When pulled Low during a GP bus access, wait states are inserted in the current cycle. This pin has an internal weak pullup that should be supplemented by a stronger external pullup for faster rise time.
GPRESET	—	O	GP Bus Reset , when asserted, re-initializes to reset state all devices connected to the GP bus.
[GPTC]	PIO4	O	GP Bus Terminal Count is driven from the internal DMA controller to indicate that the transfer count for the currently active DMA channel has reached zero, and that the current DMA cycle is the last transfer.
Serial Ports			
CTS1	—	I	Clear To Send is driven back to the serial port to indicate that the external data carrier equipment (DCE) is ready to accept data.
[CTS2]	PIO28	I	
DCD1	—	I	Data Carrier Detect is driven back to the serial port from a piece of DCE when it has detected a carrier signal from a communications target.
[DCD2]	PIO30	I	
DSR1	—	I	Data Set Ready is used to indicate that the external DCE is ready to establish a communication link with the internal serial port controller.
[DSR2]	PIO29	I	
DTR2–DTR1	—	O	Data Terminal Ready indicates to the external DCE that the internal serial port controller is ready to communicate.
RIN1	—	I	Ring Indicate is used by an external modem to inform the serial port that a ring signal was detected.
[RIN2]	PIO31	I	
RTS2–RTS1	—	O	Request To Send indicates to the external DCE that the internal serial port controller is ready to send data.
SIN2–SIN1	—	I	Serial Data In is used to receive the serial data from the external serial device or DCE into the internal serial port controller.
SOUT2–SOUT1	—	O	Serial Data Out is used to transmit the serial data from the internal serial port controller to the external serial device or DCE.

Table 2. Signal Descriptions (Continued)

Signal	Multiplexed Signal	Type	Description
SSI_CLK	—	O	SSI Clock is driven by the ÉlanSC520 microcontroller SSI port during active SSI transmit or receive transactions. The idle state of the clock and the assertion/sample edge are configurable.
SSI_DI	—	STI	SSI Data Input receives incoming data from a peripheral device SSI port. Data is shifted in on the opposite SSI_CLK signal edge in which SSI_DO drives data. SSI_DO and SSI_DI can be tied together to interface to a three-pin SSI peripheral.
SSI_DO	—	OD	SSI Data Output drives data to a peripheral device SSI port. Data is driven on the opposite SSI_CLK signal edge in which SSI_DI latches data. The DO signal is normally at high-impedance when no transmit transaction is active on the SSI port.
Clocks and Reset			
32KXTAL2– 32KXTAL1	—	Osc	32.768-kHz Crystal Interface is used for connecting an external crystal or oscillator to the ÉlanSC520 microcontroller. This clock source is used to clock the real-time clock (RTC). In addition, internal PLLs generate clocks for the timers and UARTs based on this clock source. When an external oscillator is used, 32KXTAL1 should be grounded and the clock source driven on 32KXTAL2.
33MXTAL2– 33MXTAL1	—	Osc	33-MHz Crystal Interface is the main system clock for the chip. This clock source is used to derive the SDRAM, CPU, and PCI clocks. When an external oscillator is used, 33MXTAL1 should be unconnected and the clock source driven on 33MXTAL2.
[CLKTEST]	CLKTIMER	O	Test Clock Output is a shared pin that allows many of the internal clocks to be driven externally. CLKTEST can drive the internal clocks of the UARTs, PLL1, PLL2, the programmable interval timer (PIT), or the real-time clock (RTC) for testing or for driving an external device.
CLKTIMER	[CLKTEST]	I	Timer Clock Input is a shared clock pin that can be used to input a frequency to the programmable interval timer (PIT).
LF_PLL1	—	I	Loop Filter Interface is used for connecting external loop filter components. Component values and circuit descriptions are contained in “Clock Generation and Control” on page 38.
PRGRESET	—	STI	Programmable Reset can be programmed to reset the ÉlanSC520 microcontroller, but allow SDRAM refresh to continue during the reset. This allows the system to be reset without losing the information stored in SDRAM. On power-up, PRGRESET is disabled and must be programmed to be operational. When disabled, this pin has no effect on the ÉlanSC520 microcontroller.
PWRGOOD	—	STI	Power Good is a reset signal that indicates to the ÉlanSC520 microcontroller that the V_{CC} levels are within the normal operation range. It is used to reset the entire chip and must be held Low for one second after all V_{CC} signals (except V_{CC_RTC}) on the chip are High. This signal must be returned Low before the V_{CC} signals degrade to put the RTC into the correct state for operation in RTC-only mode.

Table 2. Signal Descriptions (Continued)

Signal	Multiplexed Signal	Type	Description
JTAG			
JTAG_TCK	—	I	Test Clock is the input clock for test access port.
JTAG_TDI	—	I	Test Data Input is the serial input stream for input data. This pin has a weak internal pullup resistor. It is sampled on the rising edge of JTAG_TCK. If not driven, this input is sampled High internally.
JTAG_TDO	—	O/TS	Test Data Output is the serial output stream for result data. It is in the high-impedance state except when scanning is in progress.
JTAG_TMS	—	I	Test Mode Select is an input for controlling the test access port. This pin has a weak internal pullup resistor. If it is not driven, it is sampled High internally.
JTAG_TRST	—	I	JTAG Reset is the test access port (TAP) reset. This pin has a weak internal pulldown resistor. If not driven, this input is sampled Low internally and causes the TAP controller logic to remain in the reset state.
AMDebug Interface			
BR/TC	—	I	Break Request/Trace Capture requests entry to AMDebug technology mode. The AMDebug technology serial/parallel interface can reconfigure this pin to turn instruction trace capture on or off.
CMDACK	—	O	Command Acknowledge indicates command completion status. It is asserted High when the in-circuit emulator logic is ready to receive new commands from the host. It is driven Low when the in-circuit emulator core is executing a command from the host and remains Low until the command is completed.
STOP/TX	—	O	Stop/Transmit is asserted High on entry to AMDebug mode. During normal mode, this is set High when there is data to be transmitted to the host (during operating system/application communication).
TRIG/TRACE	—	O	Trigger/Trace triggers events to a logic analyzer (optional, from Am5 _x 86 CPU debug registers) or indicates trace on or off status. The AMDebug technology is used to enable and configure this pin.
System Test			
CF_DRAM	[WBMSTR2] {CFG2}	O{I}	Code Fetch SDRAM , during SDRAM reads, provides code fetch status. When Low, this indicates that the current SDRAM read is a CPU code fetch demanded by the CPU, or a read prefetch initiated due to a demand code fetch by the CPU. When High during reads, this indicates that the SDRAM read is not a code fetch, and it could have been initiated by the CPU, PCI master, or the GP bus GP-DMA controller, either demand or prefetch. During SDRAM write cycles this pin provides an indication of the source of the data, either GP-DMA controller/PCI bus master or CPU. When High, this indicates that either a GP bus DMA initiator or an external PCI bus master contributed to the current SDRAM write cycle (the CPU may also have contributed). A Low indicates that the CPU is the only master that contributed to this write cycle.
CF_ROM_GPCS	[WBMSTR0] {CFG0}	O{I}	Code Fetch ROM/GPCS provides an indication that the CPU is performing a code fetch from ROM (on either the GP bus or SDRAM data bus), or from any GPCS _x pin. When Low during a read cycle (as indicated by either GPMEMRD or ROMRD), the CPU is performing a code fetch from ROM or a GP bus chip select. At all other times (including writes), this signal is High.
DATASTRB	[WBMSTR1] {CFG1}	O{I}	Data Strobe is a debug signal that is asserted to allow the external system to latch SDRAM data. This can be used to trace data on the SDRAM interface with an in-circuit emulator probe or logic analyzer.

Table 2. Signal Descriptions (Continued)

Signal	Multiplexed Signal	Type	Description
[WBMSTR0]	$\overline{\text{CF_ROM_GPCS}}$ {CFG0}	O{I}	Write Buffer Master indicates which block(s) wrote to a rank in the write buffer (during SDRAM write cycles) and which block is reading from SDRAM (during SDRAM read cycles). WBMSTR0 , when a logical 1, indicates that the internal GP bus DMA controller has contributed to the write buffer rank (write cycles) or is reading from SDRAM (read cycles).
[WBMSTR1]	DATASTRB {CFG1}	O{I}	WBMSTR1 , when a logical 1, indicates that the PCI master has contributed to the write buffer rank (write cycles) or is reading from SDRAM (read cycles).
[WBMSTR2]	$\overline{\text{CF_DRAM}}$ {CFG2}	O{I}	WBMSTR2 , when a logical 1, it indicates that the CPU has contributed to the write buffer rank (write cycles) or is reading from SDRAM (read cycles).
Chip Selects			
[GPCS0]	PIO27	O	General-Purpose Chip Select signals are for the GP bus. They can be used for either memory or I/O accesses. These chip selects are asserted for Am5 _x 86 CPU accesses to the corresponding regions set up in the Programmable Address Region (PAR) registers.
[GPCS1]	$\overline{\text{ROMCS1}}$	O	
[GPCS2]	$\overline{\text{ROMCS2}}$	O	
[GPCS3]	PITGATE2	O	
[GPCS4]	TMRIN1	O	
[GPCS5]	TMRIN0	O	
[GPCS6]	TMROUT1	O	
[GPCS7]	TMROUT0	O	

Table 2. Signal Descriptions (Continued)

Signal	Multiplexed Signal	Type	Description
Programmable I/O (PIO)			
PIO0	[GPALE]	B	Programmable Input/Output signals can be programmed as inputs or outputs. When they are outputs, they can be driven High or Low by programming bits in registers.
PIO1	[GPBHE]	B	
PIO2	[GPRDY]	B	
PIO3	[GPAEN]	B	
PIO4	[GPTC]	B	
PIO5	[GPDRQ3]	B	
PIO6	[GPDRQ2]	B	
PIO7	[GPDRQ1]	B	
PIO8	[GPDRQ0]	B	
PIO9	[GPDACK3]	B	
PIO10	[GPDACK2]	B	
PIO11	[GPDACK1]	B	
PIO12	[GPDACK0]	B	
PIO13	[GPIRQ10]	B	
PIO14	[GPIRQ9]	B	
PIO15	[GPIRQ8]	B	
PIO16	[GPIRQ7]	B	
PIO17	[GPIRQ6]	B	
PIO18	[GPIRQ5]	B	
PIO19	[GPIRQ4]	B	
PIO20	[GPIRQ3]	B	
PIO21	[GPIRQ2]	B	
PIO22	[GPIRQ1]	B	
PIO23	[GPIRQ0]	B	
PIO24	[GPDBUFOE]	B	
PIO25	[GPIOCS16]	B	
PIO26	[GPMEMCS16]	B	
PIO27	[GPCS0]	B	
PIO28	[CTS2]	B	
PIO29	[DSR2]	B	
PIO30	[DCD2]	B	
PIO31	[RIN2]	B	
Timers			
PITGATE2	[GPCS3]	I	Programmable Interval Timer 2 Gate provides control for the PIT Channel 2.
PITOUT2	{CFG3}	O{I}	Programmable Interval Timer 2 Output is output from the PIT Channel 2. This signal is typically used as the PC speaker signal.
TMRIN0	[GPCS5]	I	Timer Inputs 0 and 1 can be programmed to be the control or clock for the general-purpose (GP) timers 0 and 1.
TMRIN1	[GPCS4]	I	
TMROUT0	[GPCS7]	O	Timer Outputs 0 and 1 are outputs from two of the GP timers. These outputs can be used as pulse-width modulation signals.
TMROUT1	[GPCS6]	O	

Table 2. Signal Descriptions (Continued)

Signal	Multiplexed Signal	Type	Description												
Configuration															
{AMDEBUG_DIS}	GPA23	I	<p>AMDebug Disable is an active High configuration signal latched at the assertion of Power Good (PWRGOOD). This pin has a built-in pulldown resistor.</p> <p>At Power Good assertion: Low = Normal operation, mode can be enabled by software. High = AMDebug mode is disabled and cannot be enabled by software.</p>												
{CFG0}	$\overline{\text{CF_ROM_GPCS}}$ [WBMSTR0]	I	<p>Configuration Inputs 3–0 are latched into the chip when PWRGOOD is asserted. These signals are all shared with other features. These signals have built-in pulldown resistors.</p> <p>CFG0: Choose 8-, 16-, or 32-bit ROM/Flash interface for $\overline{\text{BOOTCS}}$. CFG1: Choose 8-, 16-, or 32-bit ROM/Flash interface for $\overline{\text{BOOTCS}}$.</p> <table border="1"> <thead> <tr> <th>CFG1</th> <th>CFG0</th> <th>$\overline{\text{BOOTCS}}$ Data Width</th> </tr> </thead> <tbody> <tr> <td>0</td> <td>0</td> <td>8-bit</td> </tr> <tr> <td>0</td> <td>1</td> <td>16-bit</td> </tr> <tr> <td>1</td> <td>x (don't care)</td> <td>32-bit</td> </tr> </tbody> </table> <p>CFG2: When Low when PWRGOOD is asserted, the ÉlanSC520 microcontroller uses the GP data bus for $\overline{\text{BOOTCS}}$. When seen as High during PWRGOOD assertion, the $\overline{\text{BOOTCS}}$ access is across the SDRAM data bus. Default is Low (by a built-in pulldown resistor).</p> <p>CFG3 (Internal AMD test mode enable): For normal ÉlanSC520 microcontroller operation, do not pull High during reset.</p>	CFG1	CFG0	$\overline{\text{BOOTCS}}$ Data Width	0	0	8-bit	0	1	16-bit	1	x (don't care)	32-bit
CFG1	CFG0	$\overline{\text{BOOTCS}}$ Data Width													
0	0	8-bit													
0	1	16-bit													
1	x (don't care)	32-bit													
{CFG1}	DATASTRB [WBMSTR1]	I													
{CFG2}	$\overline{\text{CF_DRAM}}$ [WBMSTR2]	I													
{CFG3}	PITOUT2	I													
{DEBUG_ENTER}	GPA25	I	<p>Enter AMDebug Mode is an active High configuration signal latched at the assertion of Power Good (PWRGOOD). This pin enables the AMDebug mode, which causes the processor to fetch and execute one instruction from the $\overline{\text{BOOTCS}}$ device, and then enter AMDebug mode where the CPU waits for debug commands to be delivered by the JTAG port.</p> <p>This pin has a built-in pulldown resistor.</p> <p>At PWRGOOD assertion: High = AMDebug mode enabled Low = Normal operation</p>												
{INST_TRCE}	GPA24	I	<p>Instruction Trace is an active High configuration signal latched at the assertion of Power Good (PWRGOOD). Enables trace record generation from Power Good assertion.</p> <p>This pin has a built-in pulldown resistor.</p> <p>At PWRGOOD assertion: High = Trace controller enabled to output trace records Low = Normal operation</p>												

Table 2. Signal Descriptions (Continued)

Signal	Multiplexed Signal	Type	Description
{RSTLD0}	GPA15	I	Reset Latched Inputs are shared signals that are latched into a register when PWRGOOD is asserted. They are used to input static information to software (i.e., board revision). These signals have built-in pull-down resistors.
{RSTLD1}	GPA16	I	
{RSTLD2}	GPA17	I	
{RSTLD3}	GPA18	I	
{RSTLD4}	GPA19	I	
{RSTLD5}	GPA20	I	
{RSTLD6}	GPA21	I	
{RSTLD7}	GPA22	I	
Power			
BBATSEN	—	Analog	Backup Battery Sense is a pin on which real-time clock (RTC) backup battery voltage is sampled each time PWRGOOD is asserted. If this pin samples below 2.0 V, the Valid RAM and Time (VRT) bit in RTC index 0Dh is cleared until read. After the read, the VRT bit is set until BBATSEN is sensed via a subsequent PWRGOOD assertion. BBATSEN also provides a power-on-reset signal for the RTC when an RTC backup battery is applied for the first time.
VCC_ANLG	—	Power	Analog Power Supply for the analog circuits (PLLs).
VCC_CORE	—	Power	Power Supply for the ÉlanSC520 microcontroller core logic.
VCC_I/O	—	Power	Power Supply to the I/O pad ring.
VCC_RTC	—	Power	Power Supply for the real-time clock and 32-kHz oscillator.
GND	—	Power	Digital Ground for the remaining ÉlanSC520 microcontroller core logic.
GND_ANLG	—	Power	Analog Ground for the analog circuits.

ARCHITECTURAL OVERVIEW

The ÉlanSC520 microcontroller was designed to provide:

- A balanced mix of high performance and low-cost interface mechanisms
- A high-performance, industry-standard 32-bit PCI bus
- Glueless interfacing to many 8- and 16-bit I/O peripherals and an 8- and 16-bit bus with programmable timing
- A cost-effective system architecture that meets a wide range of performance criteria while retaining the lower cost of a 32-bit system
- A high degree of leverage from present day hardware and software technologies

Figure 1 on page 29 illustrates the integrated Am5_x86 CPU, bus structure, and on-chip peripherals of the ÉlanSC520 microcontroller. Three primary interfaces are provided:

- A high-performance, 66-MHz, 32-bit synchronous DRAM (SDRAM) interface of up to 256 Mbytes is used for Am5_x86 CPU code execution, as well as buffer storage of external PCI bus masters and GP bus DMA initiators. A high-performance ROM/Flash interface can also be connected to the SDRAM interface.

- An industry-standard, 32-bit PCI bus is provided for high bandwidth I/O peripherals such as local area network controllers, synchronous communications controllers, and disk storage controllers.
- A simple 8/16-bit, 33-MHz general-purpose bus (GP bus) provides a glueless connection to lower bandwidth peripherals and NVRAM, SRAM, ROM, or custom ASICs; supports dynamic bus sizing and compatibility with many common ISA devices.

These three buses listed above are provided in all operating modes of the ÉlanSC520 microcontroller.

In addition to these three primary interfaces, the ÉlanSC520 microcontroller also contains internal oscillator circuitry and phase locked loop (PLL) circuitry, requiring only two simple crystals for virtually all system clock generation.

Diagrams showing how the ÉlanSC520 microcontroller can be used in various system designs are included in "Applications" on page 33.

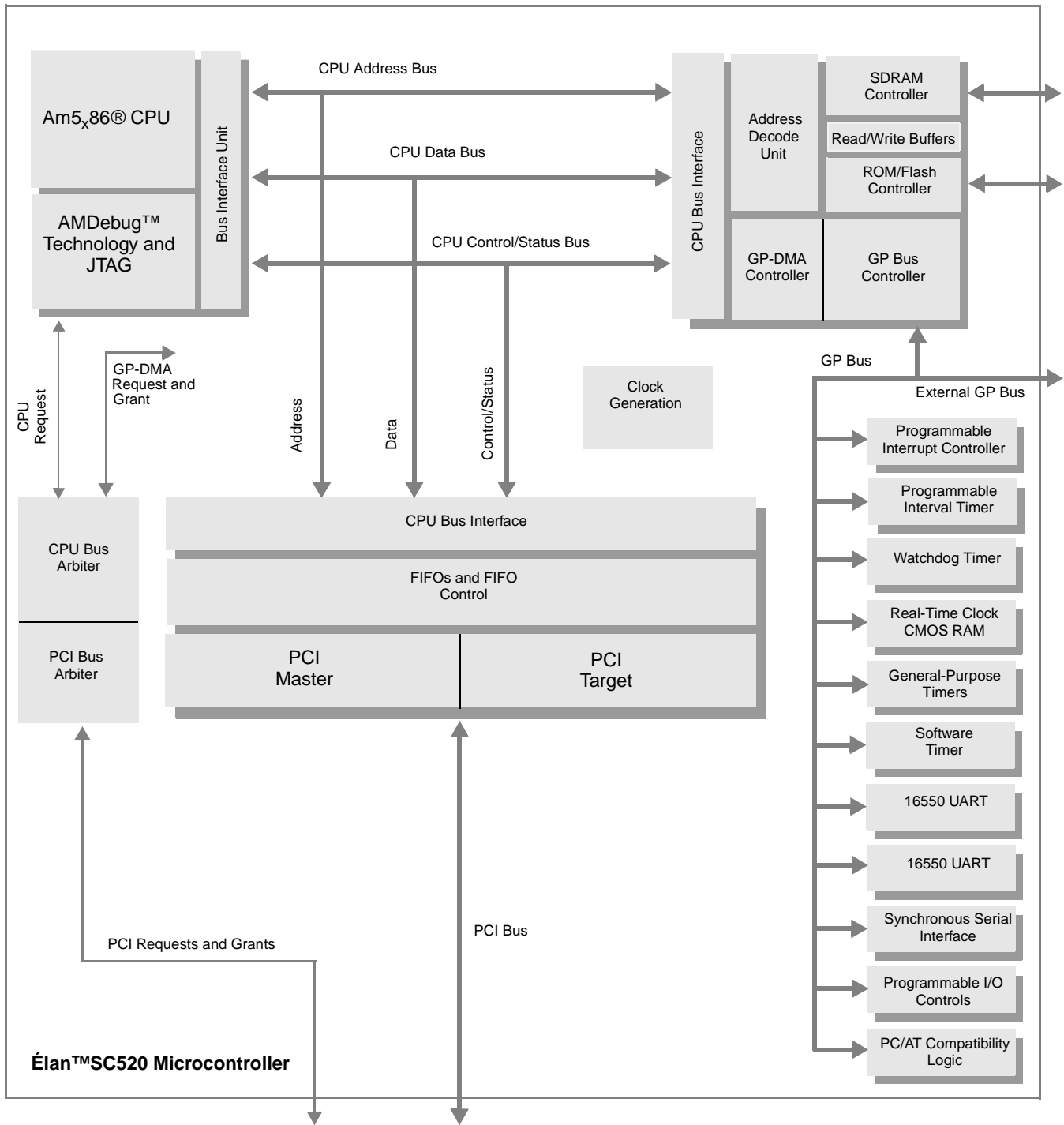


Figure 1. Élan™SC520 Microcontroller Block Diagram

Industry-Standard x86 Architecture

The Am5_{x86} CPU in the ÉlanSC520 microcontroller utilizes the industry-standard x86 microprocessor instruction set that enables compatibility across a variety of performance levels from the 16-bit Am186™ processors to the high-end AMD Athlon™ processor. Software written for the x86 architecture family is compatible with the ÉlanSC520 microcontroller.

Other benefits of the Am5_{x86} CPU include:

- Improved time-to-market and easy software migration
- Existing availability of multiple operating systems that directly support the x86 architecture. Whether the application requires a real-time operating system (RTOS) or one of the popular Microsoft® operating systems, the ÉlanSC520 microcontroller provides consistent compatibility with many off-the-shelf operating systems.
- Multiple sources of field-proven development tools
- Integrated floating point unit (FPU) (compliant with ANSI/IEEE 754 standard)
- 16-KByte unified cache configurable for either write-back or write-through cache mode

AMDebug™ Technology for Advanced Debugging

The ÉlanSC520 microcontroller provides support for low-cost, full-featured, in-circuit emulation capability. This in-circuit emulation support was developed at AMD specifically to enable users to test and debug their software earlier in the design cycle. Utilizing this capability, the software can be more extensively exercised, and at full execution speeds. It also allows tracing during execution from the Am5_{x86} CPU's internal cache.

AMDebug technology provides the product design team with two different communication paths on the ÉlanSC520 microcontroller, each of which is supported by powerful debug tools from third-party vendors in AMD's FusionE86SM program.

- Serial AMDebug technology uses a serial connection based on an enhanced JTAG protocol and an inexpensive 12-pin connector that can be placed on each board design. This low-cost solution satisfies the requirement of a large number of software developers.
- Parallel AMDebug technology uses a parallel debug port to exchange commands and data between the ÉlanSC520 microcontroller and the host. The higher pin count requires that the extra signal pins be provided on a special bond-out package of the ÉlanSC520 microcontroller, which is only made available to tool developers such as in-circuit emu-

lator manufacturers. The parallel AMDebug port greatly simplifies the task of supporting high speed data exchange.

Industry-Standard PCI Bus Interface

The ÉlanSC520 microcontroller provides a 33-MHz, 32-bit PCI bus Revision 2.2-compliant host bridge interface, including integrated write-posting and read-buffering capabilities suitable for high-throughput applications. The PCI host bridge leverages standard peripherals and software. It also provides:

- High throughput (132 Mbytes/s peak transfer rate)
- Deep buffering and support for burst transactions from PCI bus masters to SDRAM
- Flexible arbitration mechanism
- Support for up to five external PCI masters

High-Performance SDRAM Controller

The ÉlanSC520 microcontroller provides an integrated SDRAM controller that supports popular industry-standard synchronous DRAMs (SDRAM).

- The SDRAM controller interfaces with SDRAM chips as well as with most standard DIMMs to enable use of standard off-the-shelf memory components.
- The SDRAM controller supports programmable timing options and provides the required external clock.
- Up to four 32-bit banks of SDRAM are supported with a maximum capacity of 256 Mbytes.
- An important reliability-enhancing Error Correction Code (ECC) feature is built into the SDRAM controller. The resultant increase in the memory content reliability enables the ÉlanSC520 microcontroller to be effectively utilized in applications that require more reliable operation, such as communications environments.
- The SDRAM controller contains a write buffer and read ahead buffer subsystem that improves both write and read performance.
- SDRAM refresh options allow the SDRAM contents to be maintained during reset.

ROM/Flash Controller

The ÉlanSC520 microcontroller provides an integrated ROM controller for glueless interfacing to ROM and Flash devices. The ÉlanSC520 microcontroller supports two types of interfaces to such devices—a simple interface via the GP bus (see “Easy-to-Use GP Bus Interface” on page 31) for 8- and 16-bit devices, and an interface to the SDRAM memory data bus for higher performance 8-, 16-, and 32-bit devices.

The ROM/Flash controller:

- Reduces system cost by gluelessly interfacing static memory with up to three ROM/Flash chip selects
- Supports execute-in-place (XIP) operating systems for applications that require executing out of ROM or Flash memory instead of DRAM
- Supports high-performance page-mode devices

Flexible Address-Mapping Hardware

In addition to the memory management unit (MMU) within the Am5_x86 CPU core, the ÉlanSC520 microcontroller provides 16 Programmable Address Region (PAR) registers that enable flexible placement of memory (SDRAM, ROM, Flash, SRAM, etc.) and peripherals into the two address spaces of the Am5_x86 CPU (memory address space and I/O address space). The PAR hardware allows designers to flexibly configure both address spaces and place memory and/or external peripherals, as required by the application. The internal memory-mapped configuration registers space can also be remapped to accommodate system requirements. PAR registers also allow control of important attributes, such as cacheability, write protection, and code execution protection for memory resources.

Easy-to-Use GP Bus Interface

The ÉlanSC520 microcontroller includes a simple general-purpose bus (GP bus) that provides programmable bus timing and allows the connection of 8/16-bit peripheral devices and memory to the ÉlanSC520 microcontroller. The GP bus operates at 33 MHz, which offers good performance at a very low interface cost.

The ÉlanSC520 microcontroller provides up to eight chip selects for external GP bus devices such as off-the-shelf I/O peripherals, custom ASICs, and SRAM or NVRAM. The GP bus interface supports programmable timing and dynamic bus width and cycle stretching to accommodate a wide variety of standard peripherals, such as UARTs, 10-Mbit LAN controller chips and serial communications controllers. Up to four external DMA channels provide fly-by DMA transfers between peripheral devices on the GP bus and system SDRAM.

Internally, the GP bus is used to provide a complement of integrated peripherals, such as a DMA controller, programmable interrupt controller, timers, and UARTs, as described in “Integrated Peripherals” on page 31. These internal peripherals are designed to operate at the full clock rate of the GP bus. The internal peripherals can also be configured to operate in PC/AT-compatible configuration, but are generally not restricted to this configuration.

The ÉlanSC520 microcontroller provides a way to view accesses to the internal peripherals on the external GP bus for debugging purposes.

Clock Generation

The ÉlanSC520 microcontroller offers user-configurable CPU core clock speed operation at 100 or 133 MHz for different power/performance points depending on the application.

Not all ÉlanSC520 microcontroller devices support all CPU clock rates. The maximum supported clock rate for a device is indicated by the part number printed on the package. The clocking circuitry can be programmed to run the device at higher than the rated speeds. However, if an ÉlanSC520 microcontroller is programmed to run at a higher clock speed than that for which it is rated, then erroneous operation can result, and physical damage to the device may occur.

The ÉlanSC520 microcontroller includes on-chip oscillators and PLLs, as well as most of the required PLL loop filter components. The ÉlanSC520 microcontroller requires two standard crystals, one for 32.768 kHz and one for 33 MHz. All the clocks required inside the ÉlanSC520 microcontroller are generated from these crystals. The ÉlanSC520 microcontroller also supplies the clocks for the SDRAM and PCI bus; however, external clock buffering may be required in some systems.

Note: *The ÉlanSC520 microcontroller supports either a 33.000-MHz or 33.333-MHz crystal. In this document, the generic term “33 MHz” refers to the system clock derived from whichever 33-MHz crystal frequency is being used in the system.*

Integrated Peripherals

The ÉlanSC520 microcontroller is a highly integrated single-chip CPU with a set of integrated peripherals that are a superset of common PC/AT peripherals, plus a set of memory-mapped peripherals that enhance its usability in various applications.

- A programmable interrupt controller (PIC) that provides the capability to prioritize 22 interrupt levels, up to 15 of these being external sources. The PIC can be programmed to operate in PC/AT-compatible mode, but also contains extended features, including support for more sources and flexible routing that allows any interrupt request to be steered to any PIC input. Interrupt requests can be programmed to generate either non-maskable interrupt (NMI) or maskable interrupt requests.
- An integrated DMA controller is included for transferring data between SDRAM and GP bus peripherals. The GP-DMA controller operates in single-cycle (fly-by) mode for more efficient transfers. The GP-DMA controller can be programmed for PC/AT compatibility, but also contains enhanced features:
 - A double buffer-chaining mode provides a more efficient software interface
 - Extended address and transfer counts
 - Flexible routing of DMA channels

- Three general-purpose 16-bit timers that provide flexible cascading for extension to 32-bit operation. These timers provide the ability to configure down to the resolution of four clock periods where the clock period is the 33-MHz clock. Timer input and output pins provide the ability to interface with off-chip hardware.
- A standard PC/AT-compatible programmable interval timer (PIT) that consists of three 16-bit timers.
- A software timer that eases the task of keeping system time. It provides 1- μ s resolution and can also be used for performance monitoring.
- A watchdog timer to guard against runaway software.
- A real-time clock (RTC) with battery backup capability. The RTC also provides 114 bytes of battery-backed RAM for storage of configuration parameters.
- Two integrated 16550-compatible UARTs that provide full handshaking capability with eight pins each. Enhancements enable the UARTs to operate at baud rates up to 1.152 Mbits/s. The UARTs can be configured to use the integrated GP bus DMA controller to transfer data between the serial ports and SDRAM.
- A synchronous serial interface (SSI) that is compatible with SCP, SPI, and Microwire slave devices. The SSI interface can be configured for either full-duplex or half-duplex operation using a 4-wire or 3-wire interface.
- 32 programmable I/O pins are provided. These pins are multiplexed with other peripherals and interface functions.
- The ÉlanSC520 microcontroller also provides PC/AT-compatible functions for control of the a20 gate and the soft CPU reset (Ports 0060h, 0064h, 0092h).

JTAG Boundary Scan Test Interface

The ÉlanSC520 microcontroller provides a JTAG test port that is compliant with IEEE 1149.1 for use during board testing.

System Test and Debug Features

To facilitate debugging, the ÉlanSC520 microcontroller provides observability of many portions of its internal operation, including:

- A three-pin interface that can be used in either system test mode or write buffer test mode, to aid in determining internal bus initiators of SDRAM cycles, and determining when SDRAM data is valid on the interface. An additional mode provides observability of integrated peripheral accesses.
- A nonconcurrent arbitration mode to reduce debug complexity when PCI bus masters and GP bus DMA initiators are also accessing SDRAM.
- CPU cache control and dynamic core clock speed control under program control.
- Ability to disable write posting and read prefetching in the SDRAM controller to simplify tracing of SDRAM cycles.
- Notification of memory write protection and non-executable memory region violations.

APPLICATIONS

The figures on the following pages show the ÉlanSC520 microcontroller as it might be used in several reference design applications in the data communications, information appliances, and telecommunication markets.

- Figure 2 on page 34 shows an ÉlanSC520 microcontroller-based Smart Resident Gateway (SRG), which is a router for a home network between the wide area network (WAN) (the internet) and a local area network (LAN) (an intranet of computers and information appliances in the home). The SRG provides firewall protection of the LAN from unauthorized access through the internet. A common internet access medium is shared by all users on the LAN.

A variety of connections are possible for both the WAN and the LAN. For example, the WAN connection can be a V.90 modem, cable modem, ISDN, ADSL, or Ethernet.

The LAN connection can be:

- HomePNA—Home Phoneline Networking Alliance, an alliance with a widely endorsed home networking specification;
- Bluetooth—a computing and telecommunications industry specification that describes how computing devices can easily interconnect with each other and with home and business phones and computers using a short-range wireless connection);
- Home RF—a standard competing with Bluetooth for the interconnection of computing devices in a LAN using radio frequency;
- Ethernet—local area network technology;
- power line—a LAN using the AC power distribution network in a home or business to interconnect devices. Digital information is transmitted on a high-frequency carrier signal on top of the AC power.

- Figure 3 on page 35 shows an ÉlanSC520 microcontroller-based "thin client," which is the modern replacement for the traditional terminal in a remote computing paradigm. Application programs run remotely on a server, and data is warehoused on centrally managed disks at the "server farm." An efficient communications protocol transmits keyboard and mouse commands upstream and transmits video BIOS calls downstream. The thin client renders and displays the graphics for the user.

The thin client is typically connected to an Ethernet LAN, although a remote location can connect to a server via a WAN connection such as a modem. A minimum speed of 24 kbaud is required for the communication protocol, unless the application is graphics-intensive, in which case a faster connection is required.

- Figure 4 on page 36 shows an ÉlanSC520 microcontroller-based digital set top box (DSTB), which is a consumer client device that uses a television set as the display. Common applications for the DSTB are internet access, e-mail, and streaming audio and video content.

The minimal system includes a connection to the WAN via a modem, ADSL, or cable modem; an output to a TV; and an InfraRed (IR) link to a remote control or wireless keyboard. Expanded systems include DVD drives and MPEG2 decoders to deliver digital video content. A hard drive may be employed to store video data for future replay. Keyboard, mouse, printer, or a video camera are options that can be included.

- Figure 5 on page 37 shows an ÉlanSC520 microcontroller-based telephone line concentrator located in the neighborhood that converts multiple analog subscriber loops into a high-speed digitally multiplexed line for connection to the central office switching network.

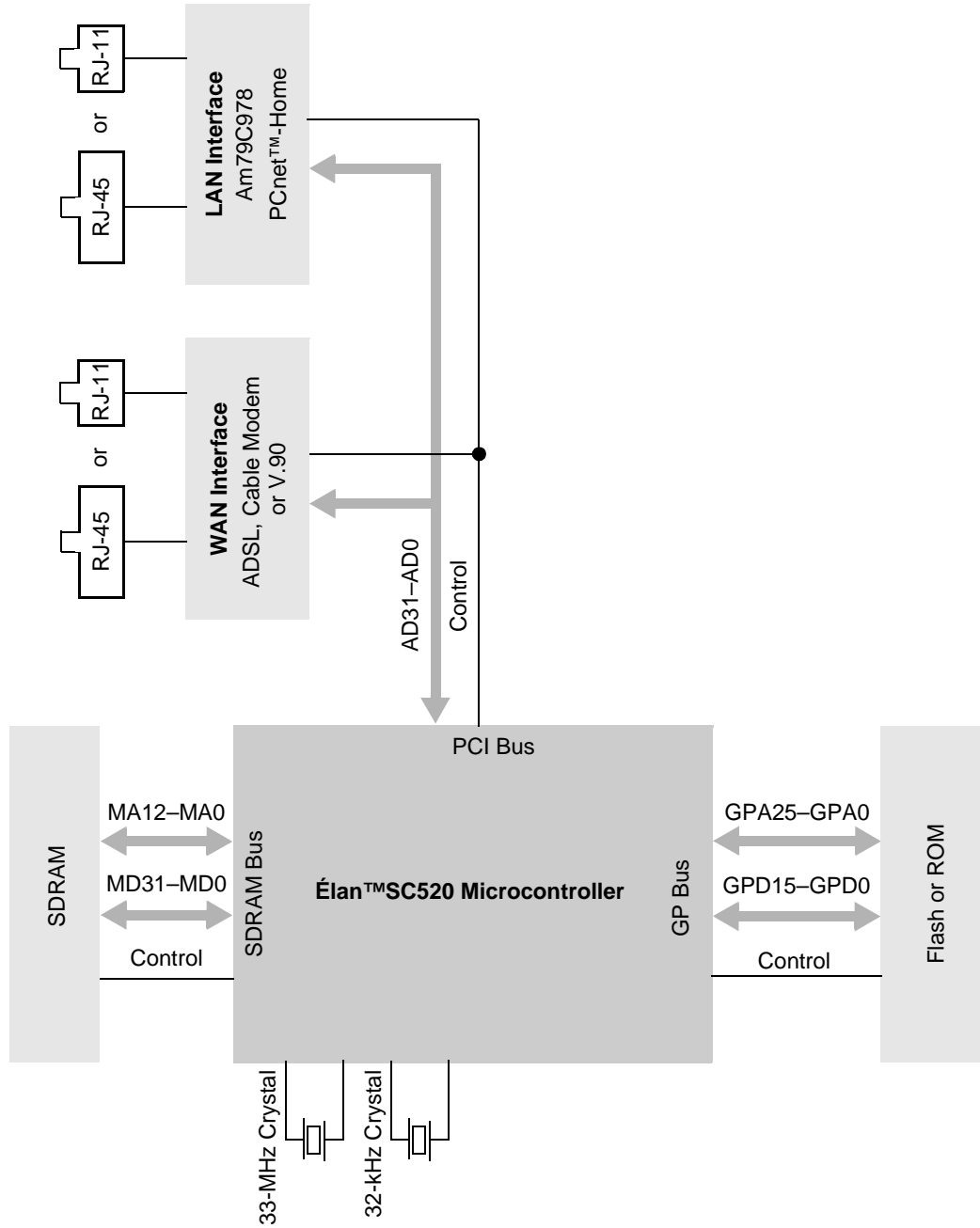


Figure 2. Élan™SC520 Microcontroller-Based Smart Residential Gateway Reference Design

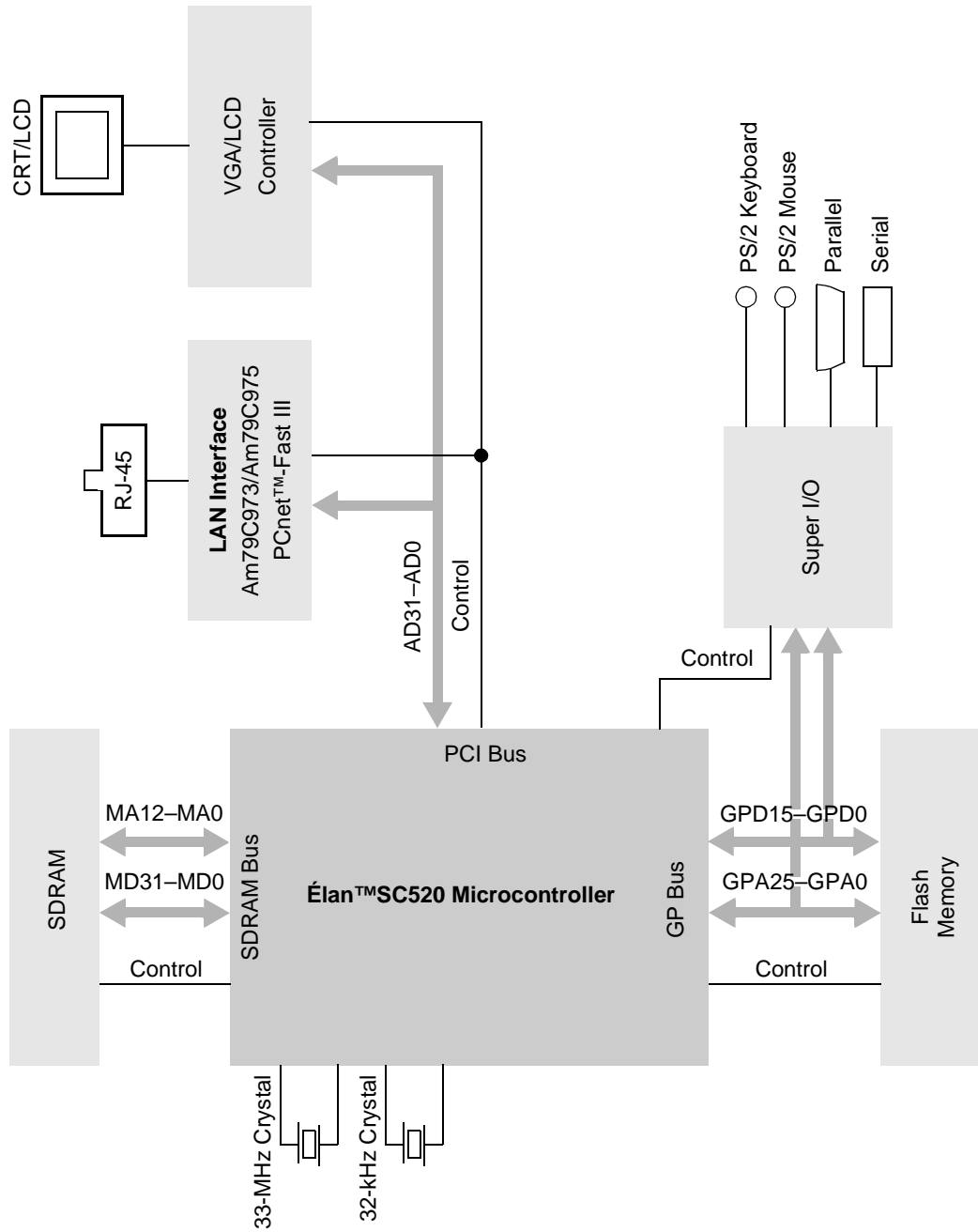


Figure 3. Élan™SC520 Microcontroller-Based Thin Client Reference Design

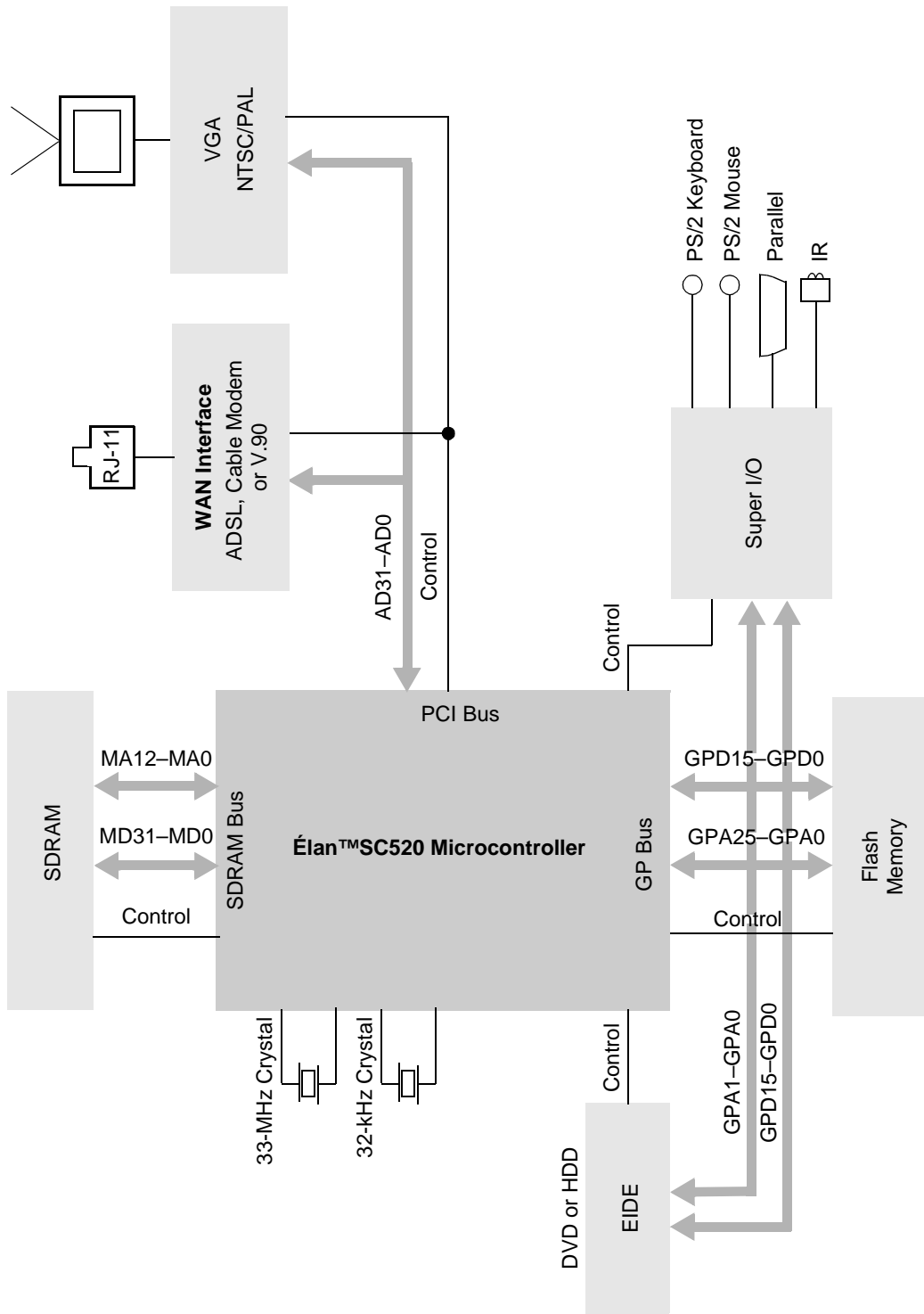


Figure 4. Élan™SC520 Microcontroller-Based Digital Set Top Box Reference Design

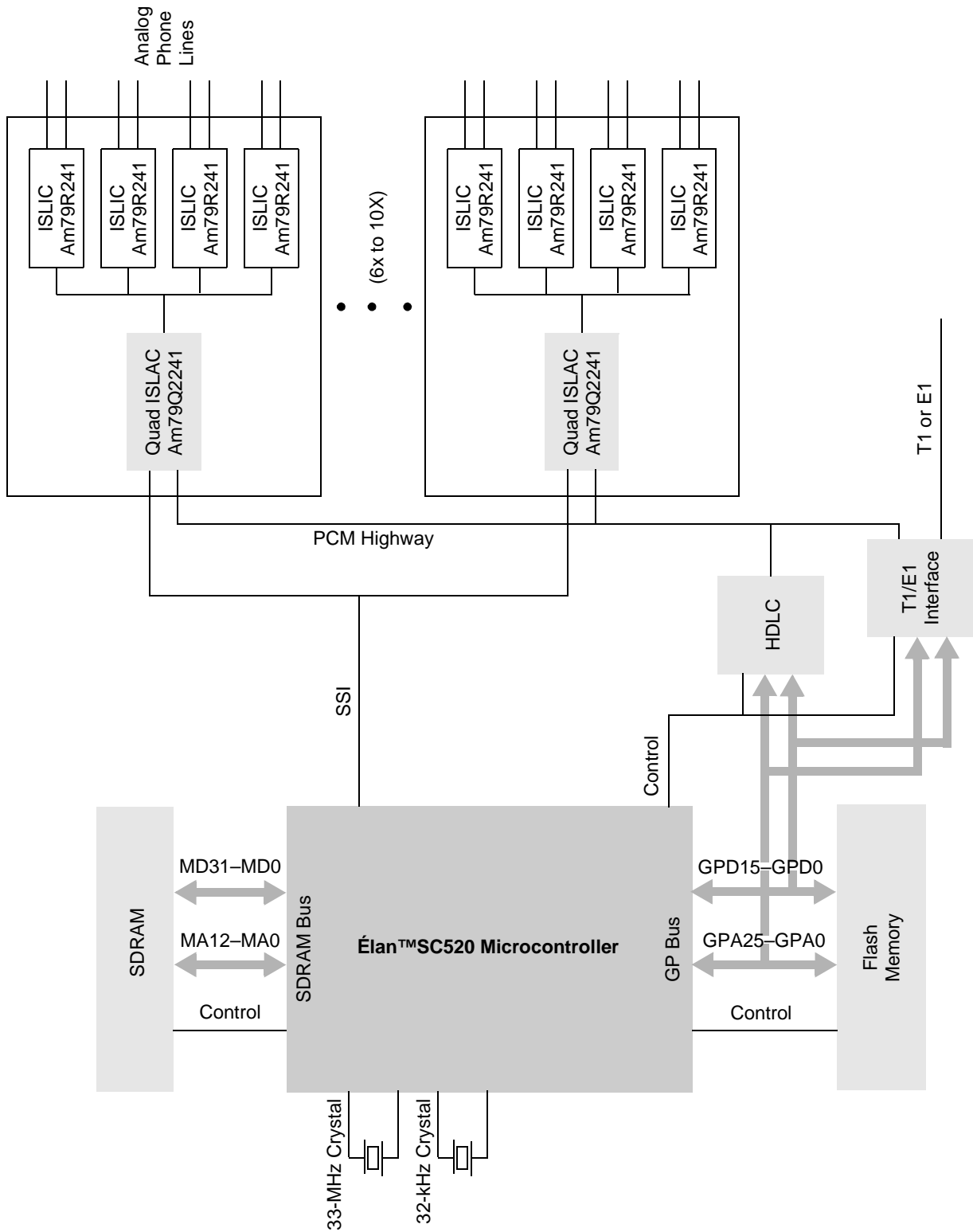


Figure 5. Élan™SC520 Microcontroller-Based Telephone Line Concentrator Reference Design

CLOCK GENERATION AND CONTROL

The ÉlanSC520 microcontroller is designed to generate all of the internal and system clocks it requires. The ÉlanSC520 microcontroller includes on-chip oscillators and PLLs, as well as most of the required PLL loop filter components.

The ÉlanSC520 microcontroller requires two standard crystals, one for 32.768 kHz and one for 33 MHz. All the clocks required inside the ÉlanSC520 microcontroller are generated from these crystals.

Output clock pins are provided for selected clocks, providing up to 24 mA of sink or source current.

The ÉlanSC520 microcontroller also supplies the clocks for SDRAM and PCI bus; however, external clock buffering may be required in some systems.

Figure 6 shows a system block diagram of the ÉlanSC520 microcontroller's external clocks.

Note: The ÉlanSC520 microcontroller supports either a 33.000-MHz or 33.333-MHz crystal. In this document, the generic term "33 MHz" refers to the system clock derived from whichever 33-MHz crystal frequency is being used in the system.

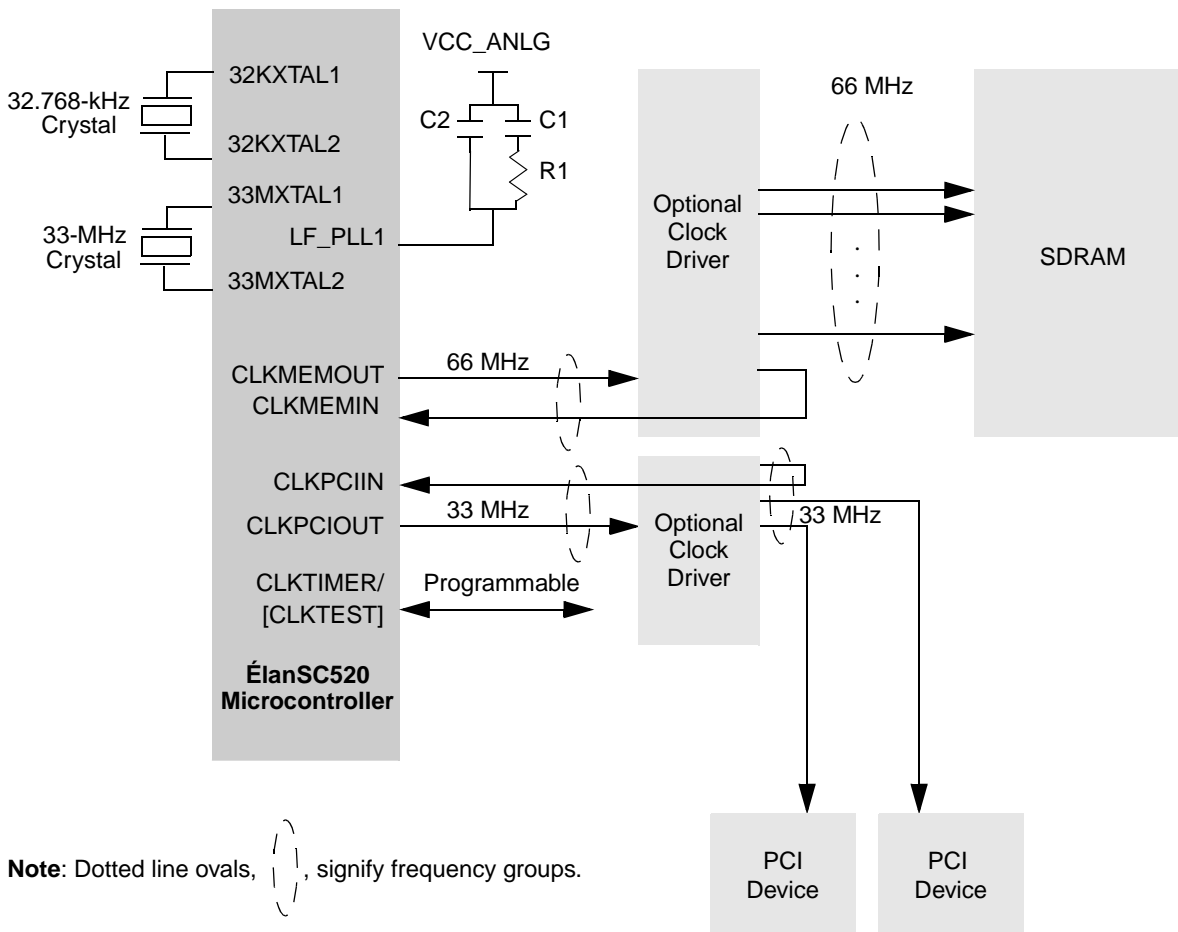


Figure 6. System Clock Distribution Block Diagram

Internal Clocks

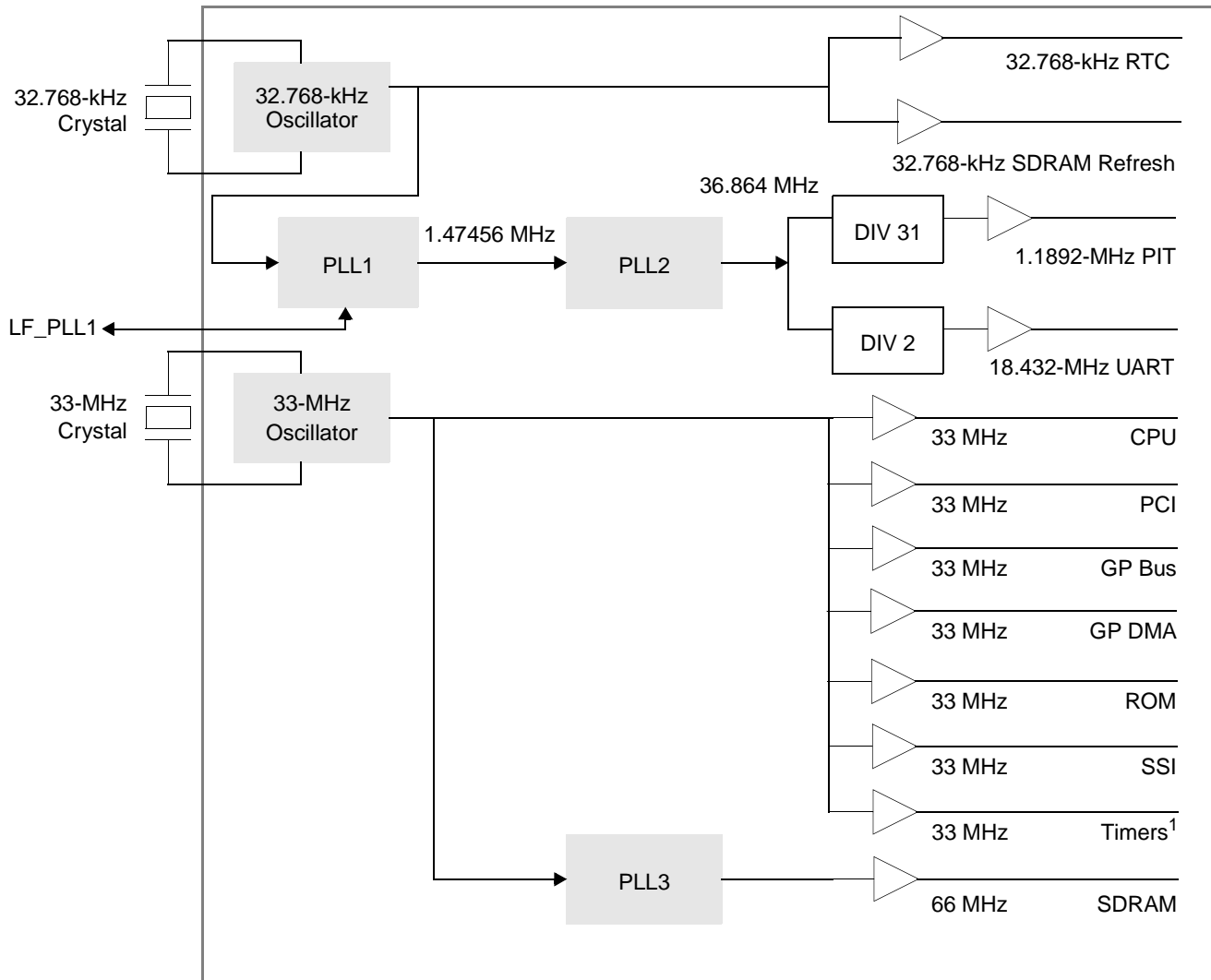
Figure 7 shows a block diagram of the ÉlanSC520 microcontroller's internal clocks.

The clocks are generated from two local oscillators.

The 32.768-kHz oscillator is used to drive PLL1 (1.47456-MHz PLL), which in turn drives PLL2 (36.864-

MHz PLL). The 36.864-MHz clock is divided by 2 to produce the 18.432-MHz UART clock. It is divided by 31 to produce the 1.1892-MHz PIT clock.

The 33-MHz oscillator produces the 33-MHz PCI and CPU clocks. The 33-MHz oscillator is also used to drive PLL3 (66-MHz PLL) to produce the SDRAM clock.



Notes:

1. Includes the programmable interval timer (PIT), general-purpose timers, watchdog timer, and the software timer.

Figure 7. Clock Source Block Diagram

Clock Specifications

PLL period jitter specifications are summarized in Table 3. Jitter specifications are only guaranteed when analog supply noise restrictions are met.

Table 4 shows PLL lock times and oscillator start-up times.

Table 5 shows the oscillator input specifications.

Loop filter components for the 1.47456-MHz PLL (PLL1) must be supplied externally. They are connected between the analog V_{CC} (V_{CC_ANLG}) and the ÉlanSC520 microcontroller pin, LF_PLL1. Specifications for V_{CC_ANLG} are shown in Table 6. Figure 6 on page 38 shows the loop filter circuit composed of C1, C2, and R1. Component values are given in Table 7 on page 41.

Clock Pin Loading

The ÉlanSC520 microcontroller's clock driver pins are designed to source or sink 24 mA. As shown in

Figure 6 on page 38, an external clock driver may be necessary when the system presents a large capacitive load.

Clock pads are designed to either source or sink 24 mA. The maximum amount of capacitive load that can be placed on a clock pad is determined by the required rise/fall times. Use the following equation to determine the maximum capacitive loading.

$$C = I/(dV/dt)$$

where I = current, dV = voltage change, and dt = time change.

As an example, suppose that the system requires a rise/fall time of 1 ns, with a voltage swing of 2.5 V. Then, the maximum capacitive load is:

$$C_{MAX} = 24 \text{ mA}/(2.5 \text{ V}/1 \text{ ns}) = 9.6 \text{ pF}$$

Table 3. Clock Jitter Specifications

Clock Name	Clock Frequency	Min	Nominal	Max
PIT	1.1892 MHz	828.3 ns	840.9 ns	853.5 ns
UART	18.432 MHz	53.44 ns	54.25 ns	55.07 ns
CPU	33.000 MHz or 33.333 MHz	—	250 ps	—
SDRAM	66.000 MHz or 66.666 MHz	14.775 ns	15.0 ns	15.225 ns

Table 4. Clock Startup and Lock Times

Clock Source	Min	Typ	Max
32.768-kHz Oscillator	—	—	1 s
33-MHz Oscillator	—	—	10 ms
PLL1 (1.47456 MHz)	—	—	10 ms
PLL2 (36.864 MHz)	—	—	100 μ s
PLL3 (66 MHz)	—	—	50 μ s

Table 5. Oscillator Input Specifications

Parameter	Min	Typ	Max
32KXTAL2 Input Voltage Low	-0.3 V	—	+0.8 V
32KXTAL2 Input Voltage High	$V_{CC_RTC} - 0.8 \text{ V}$	—	$V_{CC_RTC} + 0.3 \text{ V}$
33MXTAL2 Input Voltage Low	-0.3 V	—	+0.8 V
33MXTAL2 Input Voltage High	$V_{CC_ANLG} - 0.8 \text{ V}$	—	$V_{CC_ANLG} + 0.3 \text{ V}$

Table 6. Analog VCC (V_{CC_ANLG}) Specifications

Parameter	Min	Typ	Max
Peak-to-Peak Noise on V_{CC_ANLG}	—	—	75 mV
V_{CC_ANLG} Voltage Level	2.25 V	2.5 V	2.75 V
V_{CC_ANLG} Current	1.4 mA	1.9 mA	2.1 mA

Table 7. PLL1 Loop Filter Components

Parameter	Min	Typ	Max
C1	0.009 μ F	0.01 μ F	0.011 μ F
C2	0.0009 μ F	0.001 μ F	0.0011 μ F
R1	4.465 k Ω	4.7 k Ω	4.935 k Ω

Selecting a Crystal

The accuracy of the RTC depends on several factors relating to crystal selection and board design. A clock timing budget determines the clock accuracy. The designer should determine the timing budget before selecting a crystal.

There are four major contributors to a clock timing budget.

- **Frequency Tolerance**—This is the crystal calibration frequency. It states how far off the actual crystal frequency is from the nominal frequency. For a typical 32.768-kHz crystal (watch crystal), the frequency tolerance is ± 20 parts per million (ppm). Frequency tolerance is specified at room temperature.
- **Frequency Stability**—This parameter is a measure of how much the crystal resonant frequency is influenced by operating temperature. For watch crystals, typical numbers are around -30 ppm over the temperature range.
- **Aging**—This parameter is how much the crystal resonant frequency changes with time. Typical Aging numbers are ± 3 ppm per year.
- **Load Capacitance**—The crystal is calibrated with a specific load capacitance. If the system load capacitance does not equal the crystal load capacitance, a timing error is introduced. The timing error is calculated by the following equation.

$$\text{Error} = \left\{ \left[1 + \frac{C1}{(CL_{xtal} + Co)} \right]^{1/2} - \left[1 + \frac{C1}{(CL_{system} + Co)} \right]^{1/2} \right\} / \left[1 + \frac{C1}{(CL_{xtal} + Co)} \right]^{1/2}$$

If you multiply Error by 10^6 , the error in ppm is given. In the above equation, C1 is the crystal motional capacitance, and Co is the crystal static capacitance. CL_{xtal} is the crystal load capacitance, and CL_{system} is the system load capacitance.

Once the complete timing error has been calculated by adding all of the errors together, compare it to the initial timing budget. Table 8 provides a convenient translation of ppm to seconds per month.

Table 8. Timing Error as It Translates to Clock Accuracy

Timing Error (Parts per million)	Seconds/Month
± 10	± 25.9
± 20	± 51.8
± 30	± 77.8
± 40	± 103.7
± 50	± 129.6

32.768-kHz Crystal Selection

The 32.768-kHz crystal oscillator is shown in Figure 8. The oscillator load capacitance is 5 pF. Table 9 provides specifications for selecting a proper 32.768-kHz crystal. The Ecliptek ECPSM29T is recommended.

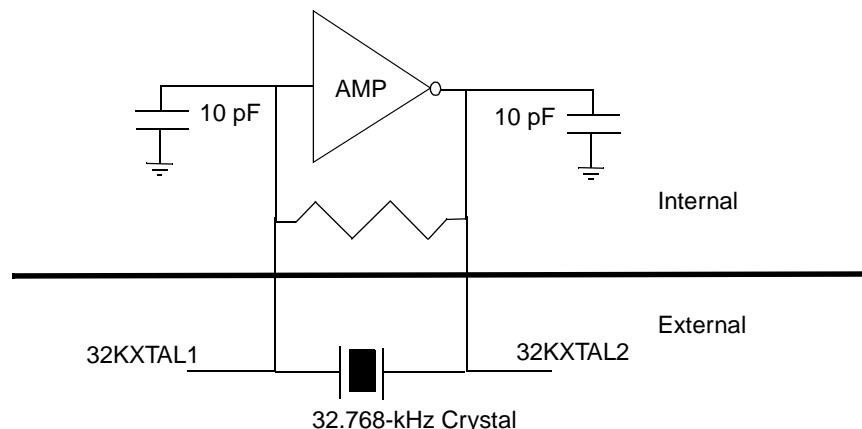


Figure 8. 32.768-kHz Crystal Circuit

Table 9. 32.768-kHz Crystal Specifications

Parameter	Min	Typ	Max	Comment
Nominal Frequency	—	32.768 kHz	—	
Effective Series Resistance (ESR)	—	—	60000 Ω	
Drive Level	1 μW	—	—	
Load Capacitance (ÉlanSC520 microcontroller)	4.5 pF	5 pF	5.5 pF	
Resonant Mode	—	—	—	Parallel
Crystal Cut	—	—	—	BT
Operating Mode	—	—	—	Fundamental

Table 10. 33-MHz Crystal Specifications

Parameter or Characteristic	Min	Typ	Max	Comment
Nominal Frequency	33.000 MHz	—	33.333 MHz	
ESR	—	—	40 Ω	
Drive Level	1 mW	—	—	
Load Capacitance (ÉlanSC520 microcontroller)	—	2.5 pF	—	
Resonant Mode	—	—	—	Parallel
Crystal Cut	—	—	—	AT or BT
Operating Mode	—	—	—	Fundamental

33-MHz Crystal Selection

The same information related to the 32.768-kHz crystal selection applies to the 33-MHz crystal selection. The ÉlanSC520 microcontroller supports either a 33.000-MHz or 33.333-MHz crystal. Specifications for the 33-MHz crystal are shown in Table 10.

AMD recommends using a fundamental mode 33.333-MHz crystal. If a third overtone crystal is used, the oscillator gain may not be large enough to produce a reliable clock.

Third Overtone Crystal Component Selection

For the third overtone crystal circuit implementation, refer to Figure 9 on page 43. Components C4 and L1 are selected by the user. C3 is a parasitic capacitor composed of board parasitics. Typical values for C3 range from 5 pF to 15 pF.

C4 is required for DC isolation. A nominal value for C4 is 0.1 μF.

L1 in conjunction with C3 and C2 form a resonant circuit. The value of L3 is selected so that the resonant frequency is between the fundamental frequency and the third overtone frequency. For a 33.333-MHz third overtone crystal, the fundamental frequency is 11.111 MHz. From this, a desirable resonant frequency is between 11.111 MHz and 33.333 MHz. A good target frequency is 22.222 MHz.

L1 is selected from the basic equation:

$$L1 = 1/[(2 \cdot \text{Pi} \cdot \text{frequency})^2 \cdot (C2 + C3)]$$

Assuming that the board parasitics are 15 pF, then:

$$\begin{aligned} L1 &= 1/[(2 \cdot \text{Pi} \cdot 22.222 \text{ MHz})^2 \cdot (7 \text{ pF} + 15 \text{ pF})] \\ &= 2.3 \mu\text{H} \end{aligned}$$

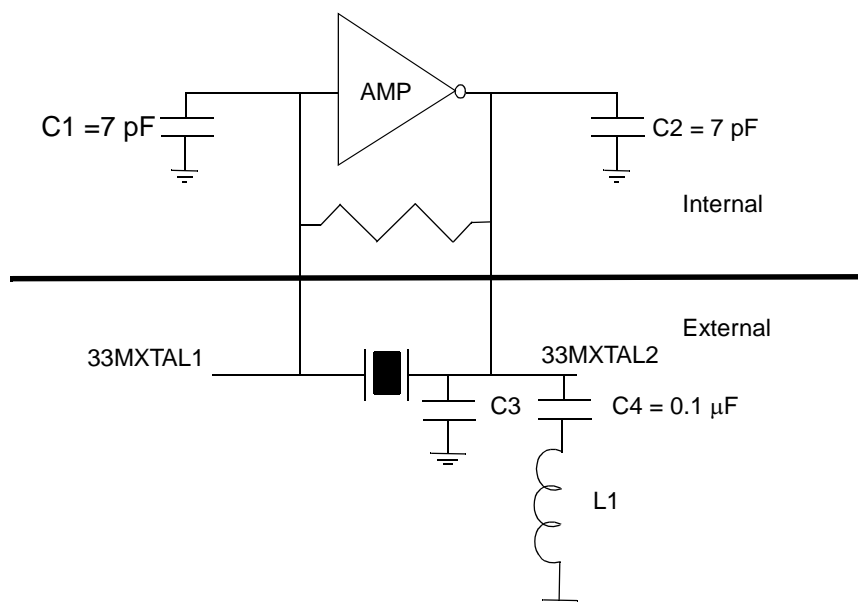


Figure 9. 33.333-MHz Third Overtone Crystal Implementation

Running the Élan™SC520 Microcontroller at 33.333 MHz

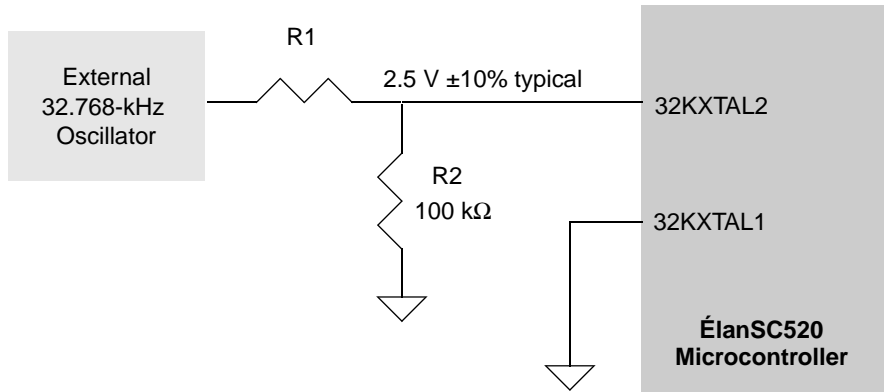
The clock that is supplied to the PCI bus (CLKPCIOUT) is exactly the same as the frequency of the crystal. The ÉlanSC520 microcontroller simply buffers the 33-MHz crystal input and provides it to the CLKPCIOUT pin. Since crystals have inaccuracies, it is possible that these inaccuracies cause the period of CLKPCIOUT to become marginally less than 30 ns.

It is up to the system designer to choose the accuracy of the crystal used with the ÉlanSC520 microcontroller. The 33.000-MHz frequency provides a better guard band than the 33.333-MHz crystal. In practice, most PCI devices can tolerate both frequencies, but it is important to be aware of the impact of choosing the crystal on this potential violation of the PCI bus specifications. The PCI bus specification requires that the minimum clock period be 30 ns.

Bypassing Internal Oscillators

The 32.768-kHz and the 33-MHz ÉlanSC520 microcontroller oscillators can be bypassed by connecting an

external clock to the crystal pins. Refer to Figure 10 and Figure 11 for the suggested circuitry.



Note: R1 and R2 are required when the external oscillator voltage, V_{OSC} , exceeds 2.5 V. The value of R1 depends on V_{OSC} according to the formula $R1 = 100\text{ k}\Omega (V_{OSC} - 2.5) / 2.5$, where 100 kΩ is the fixed value of R2, and 2.5 is the typical voltage for 32KXTAL2 ($\pm 10\%$).

Figure 10. Bypassing the 32.768-kHz Oscillator

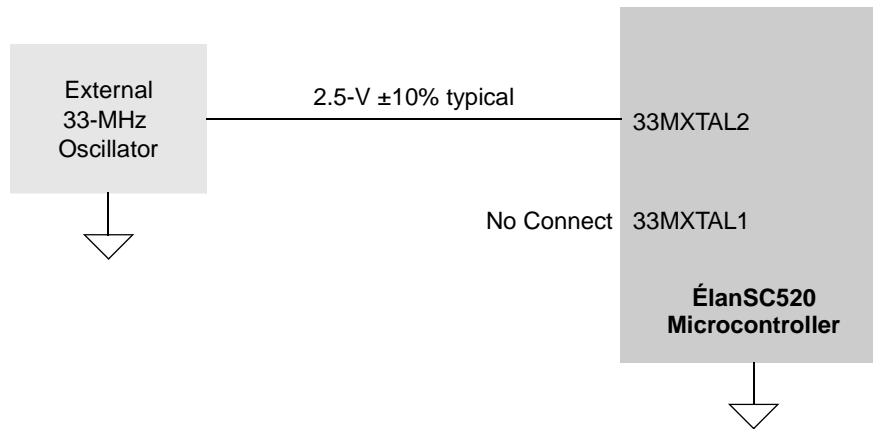


Figure 11. Bypassing the 33-MHz Oscillator

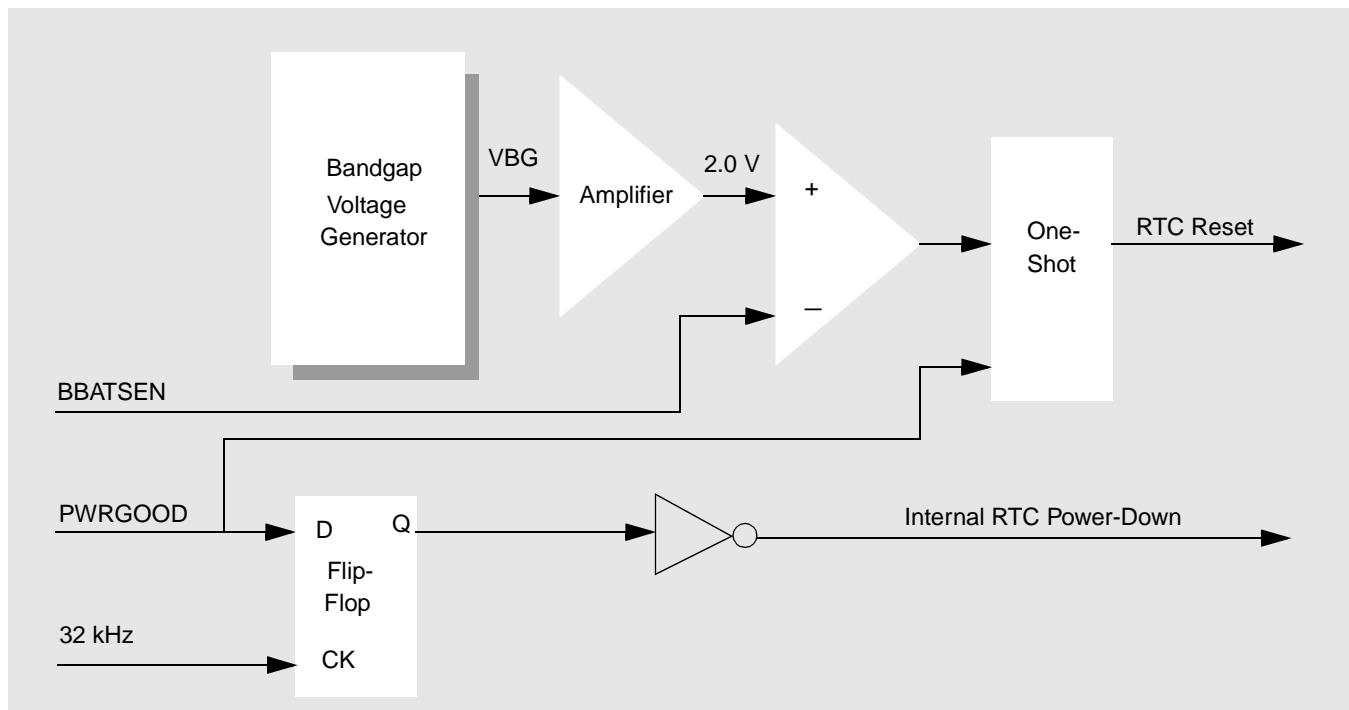


Figure 12. RTC Voltage Monitor Block Diagram

RTC VOLTAGE MONITOR

If an external backup battery is connected to the ÉlanSC520 microcontroller's VCC_RTC pin, the real-time clock (RTC) remains operational even if all the other power supplies are turned off. The ÉlanSC520 microcontroller's RTC voltage monitor is designed to signal the RTC core when the backup battery is not installed or is low. Additionally, the voltage monitor circuit signals the RTC core when the rest of the system is being powered down.

Features of the voltage monitor include:

- Bandgap voltage generator for precision reference voltage
- High-gain amplifier for adjusting bandgap voltage to “low battery” trip voltage
- The RTC can be connected to the main power plane if a backup battery is not needed in the system.

Figure 12 shows a block diagram of the RTC voltage monitor.

The voltage monitor circuit uses a delta V_{be} voltage (voltage from base to emitter) source to generate a bandgap voltage of approximately 1.23 V. This voltage is the input to an amplifier whose gain is such that the output voltage is a 2-V reference. This reference signal is an input to a comparator, along with the backup bat-

tery voltage, BBATSEN. If BBATSEN drops below the 2-V reference, an RTC invalidate signal is generated to notify the user via the RTC_VRT bit (RTC index 0Dh[7]) that the RTC contents are no longer valid.

There are three conditions that trigger an RTC invalidation. They are the following:

- BBATSEN drops below 2 V (sampled when PWRGOOD asserts)—During operation from the main power supply, the backup battery voltage might drop below the trip voltage (2 V). The RTC is not invalidated until a PWRGOOD assertion occurs.
- Power is applied to VCC_RTC (the backup battery is plugged in)—When the backup battery is plugged in, the RTC is immediately invalidated.
- No battery during power-up (sampled after PWRGOOD asserts)—If the system does not contain a backup battery and the BBATSEN line potential is below 2 V, the RTC is invalidated when PWRGOOD asserts.

In addition to the backup battery monitor function, the voltage monitor also provides a power-down signal to the RTC. This signal is used to isolate the RTC core from the rest of the integrated peripherals. A timing diagram for this sequence is shown in Figure 27 on page 60.

Table 11. RTC Voltage Monitor Component Specifications

Component	Parameter	Min	Nominal	Max
D1	Forward Voltage Drop	—	0.25 V	—
D2	Forward Voltage Drop	—	Note ¹	—
D1, D2	Forward Current	—	100 μ A	—
C1	Capacitance	5 pF	10 pF	20 pF
C2	Capacitance	180 pF	200 pF	400 pF
R1	Resistance	900	1 k Ω	1.1 k Ω

Notes:

1. Diode should be selected so that the voltage into the RTC power pin (V_{CC_RTC}) does not exceed 3.3 V.

Backup Battery Considerations

The behavior of the RTC when the primary power supply is turned off depends on whether or not an external backup battery is included in the system design.

Using an External RTC Backup Battery

An implementation using a backup battery is shown in Figure 13 on page 47. The primary power source for V_{CC_RTC} is the main power plane (V_{CC}). D1 should be chosen so that the forward voltage drop is small, less than 0.25 V. D1 also prevents the backup battery from powering up the V_{CC} power plane when the main supply is turned off.

The backup battery voltage must not exceed 3.3 V (affects the $BBATSEN$ and V_{CC_RTC} pins); higher voltages may damage the ÉlanSC520 microcontroller.

The RC network composed of R1 and C2 provides a time delay for the internal circuit power-up sequence. Accuracy tolerances are $\pm 10\%$ of nominal values given in Table 11. C1 is for high-frequency filtering purposes.

Not Using an External RTC Backup Battery

For the system that is not using a backup battery, Figure 14 on page 47 shows how the circuit should be designed. It uses the same RC that is needed by the battery system, but it is now connected to V_{CC_RTC} .

For this configuration, the RTC is invalidated after power-up, but is not invalidated by subsequent PWRGOOD assertions.

- The RTC is invalidated after a power-up. In this case, power has been removed from the RTC, so it should be invalidated.
- When a reset switch tied to PWRGOOD is pressed (V_{CC} remains High), PWRGOOD reasserts with $BBATSEN$ High, so the RTC is not invalidated. In this case, power did not go away, so the RTC contents are still good.

V_{CC_ANLG} is selected as the power plane for V_{CC_RTC} because it is a well-filtered power plane that is well below the V_{CC_RTC} maximum of 3.3 V.

Component values for the resistor and capacitor are shown in Table 11.

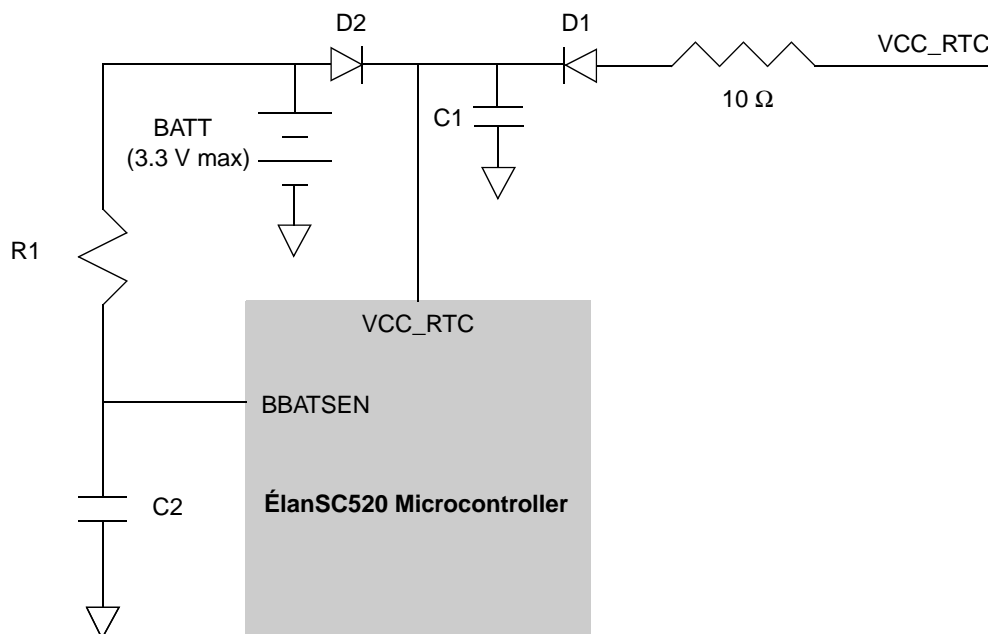


Figure 13. Circuit with Backup Battery

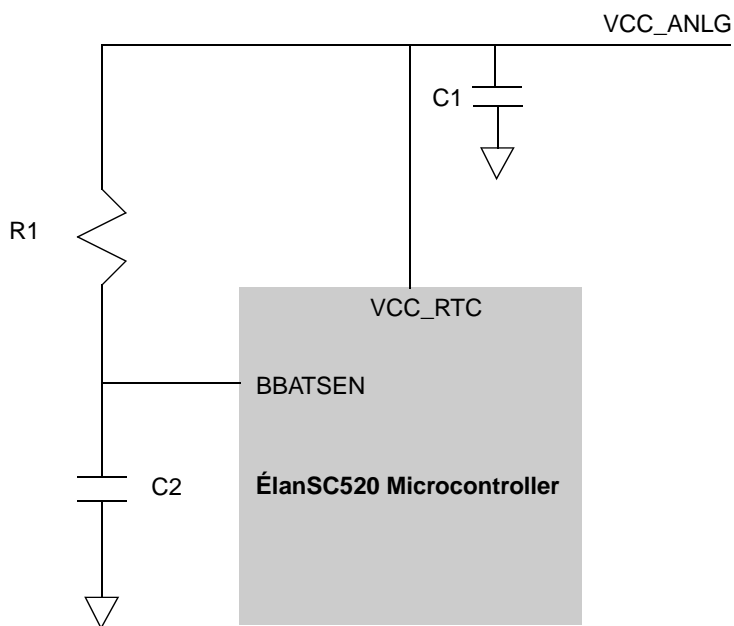


Figure 14. Circuit without Backup Battery

ABSOLUTE MAXIMUM RATINGS¹

Symbol	Parameter	Minimum	Maximum	Unit
—	Storage temperature	–65	+125	°C
VCC_CORE	Core voltage ²	–0.5	3.2	V
VCC_I/O	I/O voltage ^{2,3}	–0.5	5.5	V
VCC_RTC	Real-time clock voltage ²	–0.5	4.5	V
VCC_ANLG	Analog voltage ²	–0.5	3.2	V

Notes:

1. **WARNING**—the “Absolute Maximum Ratings” are stress ratings only. Stresses above those listed can cause permanent damage. Operation beyond the values specified in Operating Ranges at Commercial Temperatures is not recommended, and extended exposure beyond these operating range values can affect device reliability.
2. Referenced from GND.
3. All inputs are 5-V tolerant.

OPERATING RANGES AT COMMERCIAL TEMPERATURES¹

Symbol	Parameter Description	Minimum	Typical	Maximum	Unit
T _{CASE}	Commercial case temperature operating in free air	0	—	+85	°C
VCC_CORE	Core voltage ²	+2.375	+2.5	+2.625	V
VCC_I/O	I/O voltage ^{2,3}	+3.0	+3.3	+3.6	V
VCC_RTC	Real-time clock voltage ²	+2.0	+2.5	+3.3	V
VCC_ANLG	Analog voltage ²	+2.25	+2.5	+2.75	V

Notes:

1. Operating ranges define the temperature and voltage limits between which the functionality of the device is guaranteed.
2. Referenced from GND.
3. All inputs are 5-V tolerant.

VOLTAGE LEVELS FOR NON-PCI INTERFACE PINS¹

Symbol	Parameter Description	Advance Information		Unit
		Min	Max	
V _{IL}	Input Low voltage	-0.3	+0.8	V
V _{IH}	Input High voltage	2.0	VCC_I/O + 1.7	V
V _{OH1}	Output High voltage (I _{OH} = -6 mA)	VCC_I/O - 0.45	—	V
V _{OL1}	Output Low voltage (I _{OL} = 6 mA)	—	0.45	V
V _{OH2}	Output High voltage (I _{OH} = -12 mA)	VCC_I/O - 0.45	—	V
V _{OL2}	Output Low voltage (I _{OL} = 12 mA)	—	0.45	V
V _{OH3}	Output High voltage (I _{OH} = -18 mA)	VCC_I/O - 0.45	—	V
V _{OL3}	Output Low voltage (I _{OL} = 18 mA)	—	0.45	V
V _{OH4}	Output High voltage (I _{OH} = -24 mA)	VCC_I/O - 0.45	—	V
V _{OL4}	Output Low voltage (I _{OL} = 24 mA)	—	0.45	V

Notes:

1. The drive strengths of all the pins are listed in Table 20, "Pin List Summary," on page A-7. The pins with variable drive strengths can take on the characteristics of 12-, 18-, or 24-mA signals.

VOLTAGE LEVELS FOR PCI INTERFACE PINS

The voltage characteristics of the PCI interface input pins are specified in the PCI Local Bus Specification, Revision 2.2, section 4.2.1 5V Signaling Environment and section 4.2.2 3.3V Signaling Environment.

The voltage characteristics of the PCI interface output pins are specified in the PCI Local Bus Specification, Revision 2.2, 4.2.2 3.3V Signaling Environment.

DC CHARACTERISTICS OVER COMMERCIAL OPERATING RANGES

Symbol	Parameter Description	Notes	Advance Information			Unit
			Min	Typ	Max	
I _{CC_CORE}	Current for VCC_CORE supply @ 133 MHz		—	465	660	mA
I _{CC_CORE}	Current for VCC_CORE supply @ 100 MHz		—	380	540	mA
I _{CC_I/O}	Current for VCC_I/O supply @ 33-MHz	1	—	100	120	mA
I _{CC_RTC}	Current for RTC-only mode	2,3	—	5	—	μA
I _{CC_ANLG}	Current for ANLG-only mode		1.4	1.9	2.1	mA
I _{L11}	Input leakage current (0.1 V < V _{IN} < VCC_I/O) (All pins except those with internal pullup or pulldown resistors)	4,5	—	—	±20	μA
I _{L12}	Input leakage current V _{IN} = (VCC_I/O – 0.1 V) (All pins with internal pulldown resistors)	4,5	—	—	60	μA
I _{L13}	Input leakage current V _{IN} = 0.1 V (All pins with internal pullup resistors)	5	—	—	–60	μA
I _{LO}	Output leakage current		—	—	±15	μA

Notes:

1. Estimate based on 3.3-V operation. Current for the I/O supply is constant, independent of the CPU frequency.
2. Value determined by simulation will be updated once characterization is complete.
3. Current measured with power applied only to the VCC_RTC supplies.
4. VCC_I/O = 3.6 V.
5. Table 20, "Pin List Summary," on page A-7 shows which pins have internal pullups or pulldowns.

CAPACITANCE

Non-PCI Interface Pin Capacitance

Symbol	Parameter Description	Test Conditions	Advance Information		Unit
			Min	Max	
C _{IN}	Input capacitance	F _C =1 MHz	—	10	pF
C _{32KXTAL}	32KXTAL1, 33KXTAL2 pin capacitance		—	20	pF
C _{33MXTAL}	33MXTAL1, 33MXTAL2 pin capacitance		—	15	pF
C _{OUT}	Output capacitance		—	10	pF
C _{IO}	I/O pin capacitance		—	10	pF

PCI Interface Pin Capacitance

Pin capacitance values are specified in the *PCI Local Bus Specification*, Revision 2.2, section 4.2.2.1 DC Specifications, Table 4-3: DC Specifications for 3.3V Signaling.

Crystal Capacitance

The crystal specifications can be found in Table 9, “32.768-kHz Crystal Specifications” on page 42 and Table 10, “33-MHz Crystal Specifications” on page 42.

Derating Curves

All programmable I/O pins can be driven to the maximum drive current at once.

The derating curves on the following pages can be used to determine potential specified timing variations based on system capacitive loading. Table 20, “Pin List Summary,” on page A-7 has a column named “Max Load (pF).” This column describes the specification load presented to the specific pin, when testing was performed, to generate the timing specification documented in the AC Characteristics section of this data sheet.

If the capacitive load on GPA0 is 70 pF, then a typical rise time is 6.5 ns. From Figure 18, the same load gives a typical fall time of 7 ns.

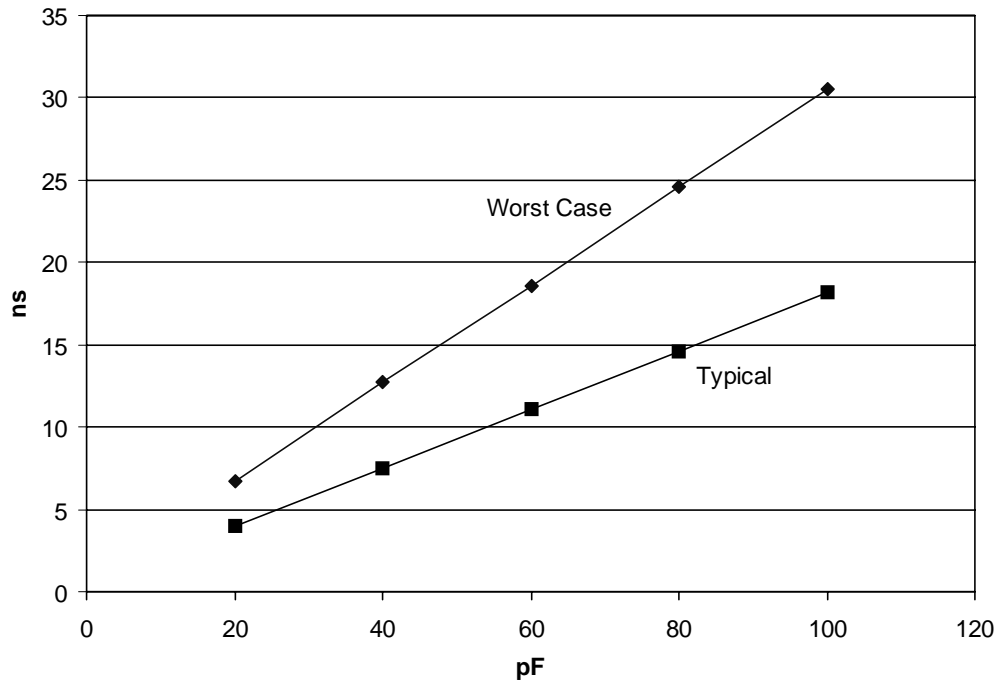


Figure 15. I/O Drive 6-mA Rise Time

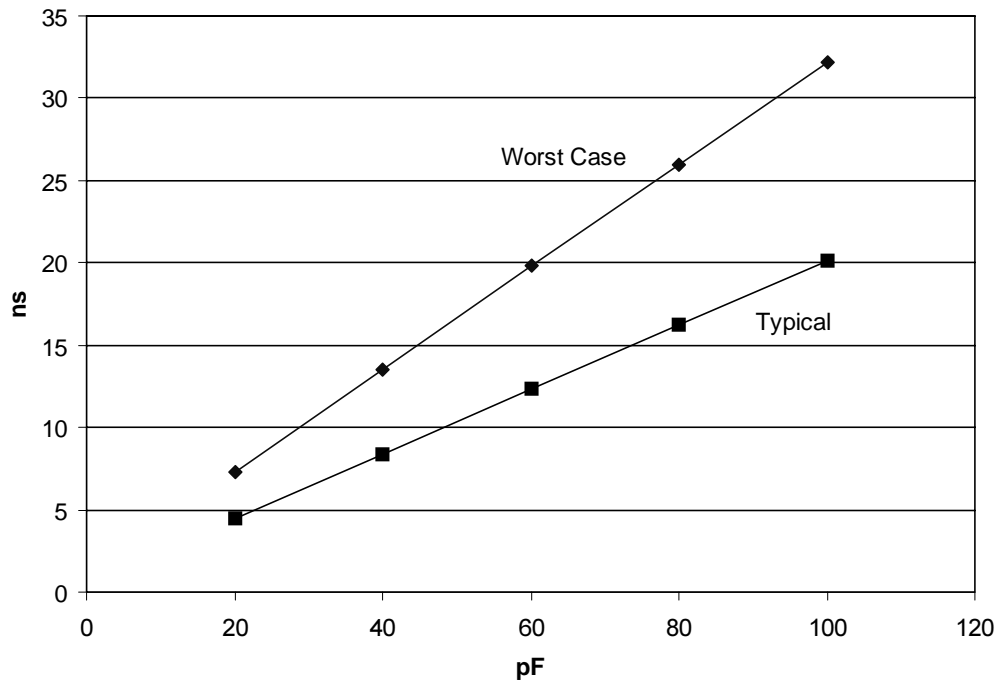


Figure 16. I/O Drive 6-mA Fall Time

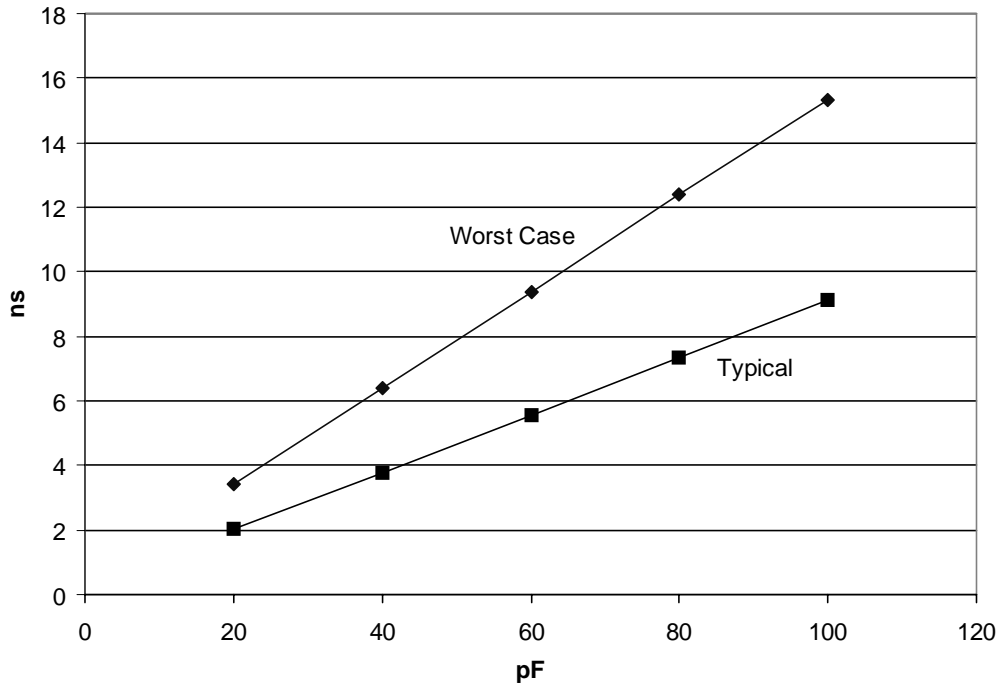


Figure 17. I/O Drive 12-mA Rise Time

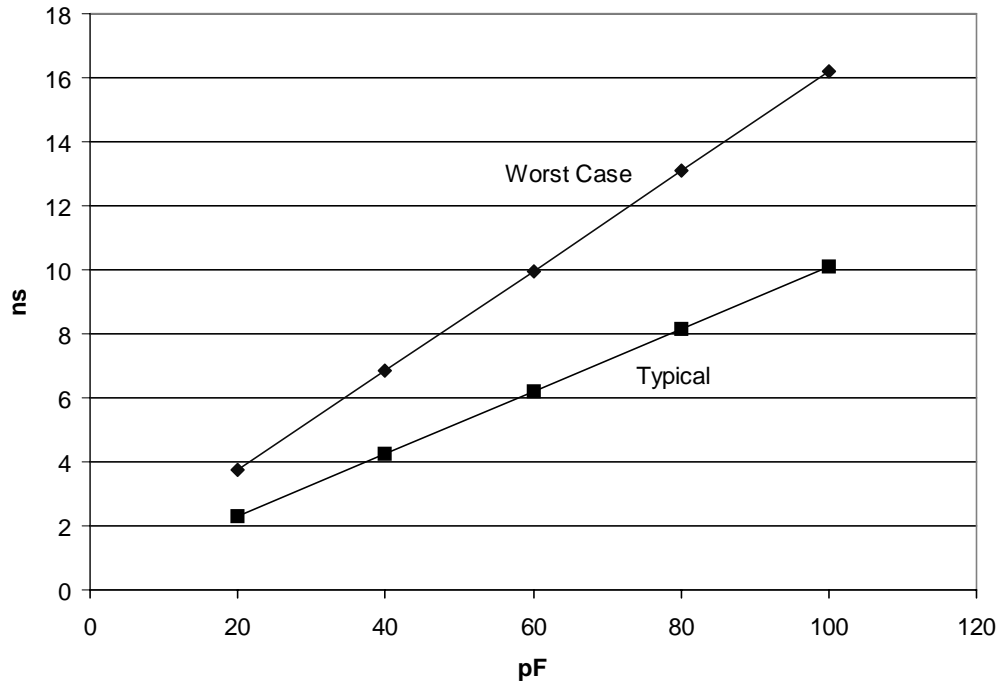


Figure 18. I/O Drive 12-mA Fall Time

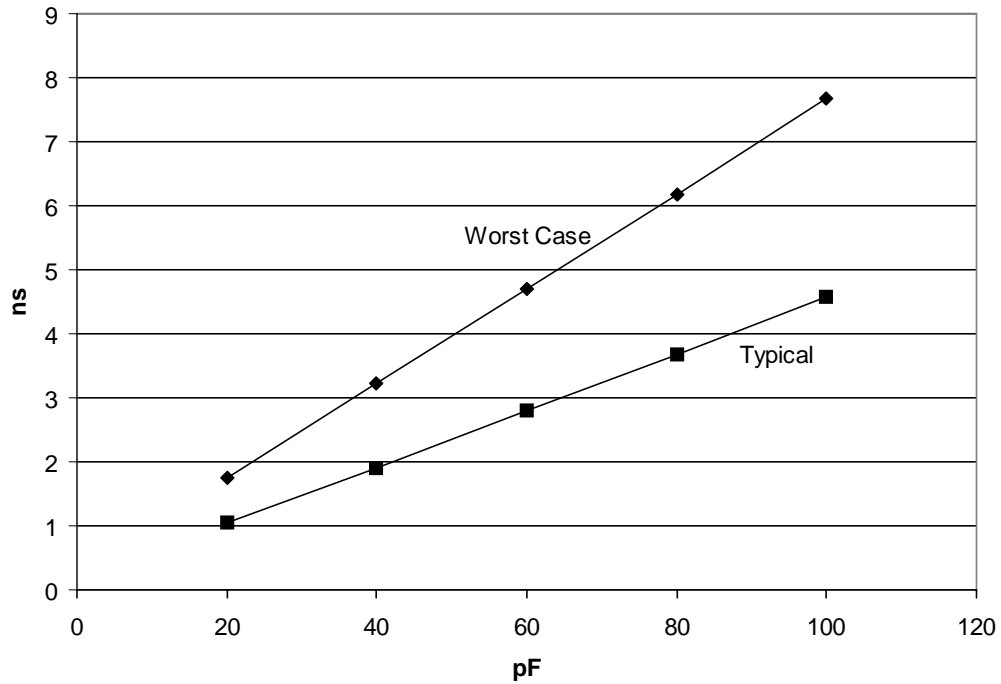


Figure 19. I/O Drive 24-mA Rise Time

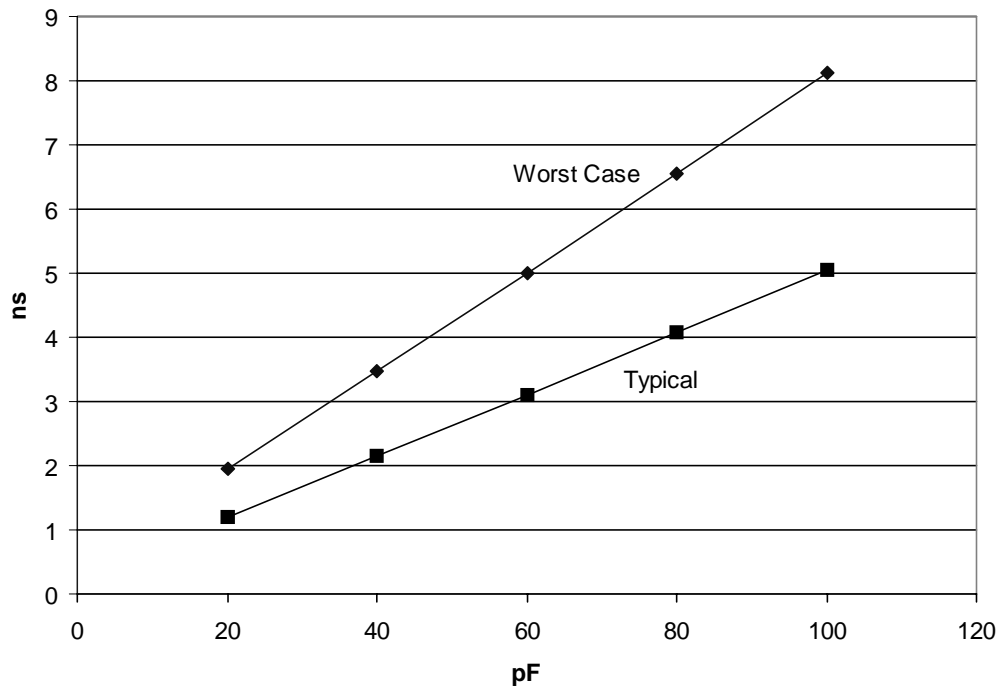


Figure 20. I/O Drive 24-mA Fall Time

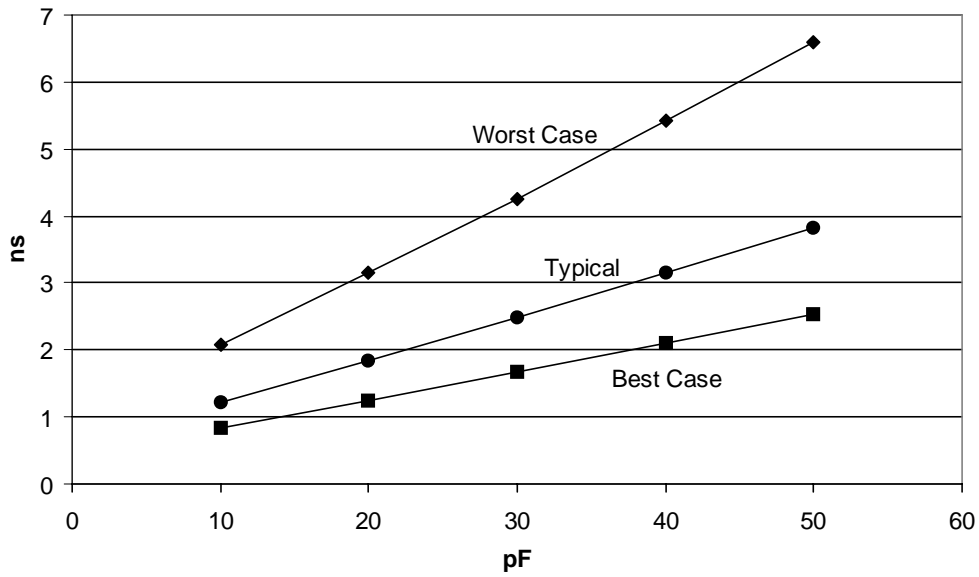


Figure 21. PCI Pads Rise Time with 1-ns Rise/Fall

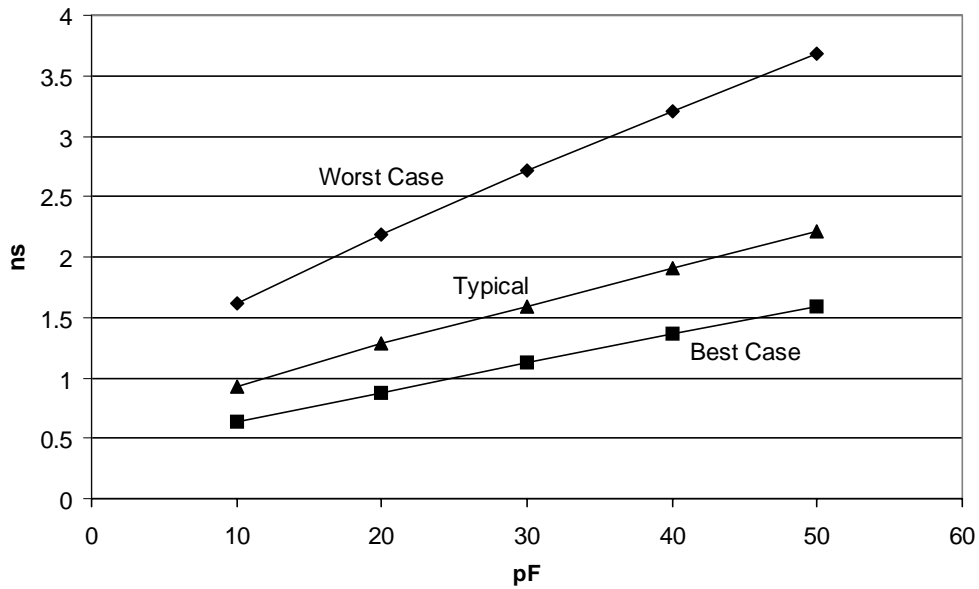


Figure 22. PCI Pads Fall Time with 1-ns Rise/Fall

POWER CHARACTERISTICS

Dynamic I_{CC} measurements are dependent upon chip activity, operating frequency, output buffer logic, and capacitive/resistive loading of the outputs. Actual power supply current is dependent on system design and may be greater or less than the typical I_{CC} number

present here. Maximum power is measured at maximum V_{CC} at maximum case temperature. Typical power is measured at typical V_{CC} at 55°C. For power dissipation values, refer to Table 12 and Table 13.

Table 12. Device Power Dissipation¹

Power	100 MHz	133 MHz	Unit
Maximum power	1.7	2.0	W
Typical power	1.2	1.4	W

Notes:

1. Device power dissipation calculation assumes that 50% of the I/O power is consumed on chip.

Table 13. VCC_ANLG and VCC_RTC Power Dissipation

Supply	Typical	Max	Unit
VCC_ANLG voltage level	2.5	2.75	V
VCC_ANLG current	1.9	2.1	mA
VCC_ANLG power	4.75	5.78	mW
VCC_RTC voltage level	2.5	3.3	V
VCC_RTC current	5	—	μA
VCC_RTC power	12.5	—	μW

THERMAL CHARACTERISTICS

388-Pin PBGA Package

The ÉlanSC520 microcontroller is specified for operation with case temperature ranges from 0°C to +85°C for VCC_CORE = 2.5 V ± 10% and VCC_I/O = 3.3 V ± 10%. Case temperature is measured at the top center of the package as shown in Figure 23. The various temperatures and thermal resistances can be determined using the equations in Figure 24 with information given in Table 15.

Thermal, electrical, and mechanical characteristics of AMD qualified packages (including the 388 PBGA) can be found on AMD’s website at www.amd.com. Click on the link Products, and then click on the document link Packages and Packing Methodologies.

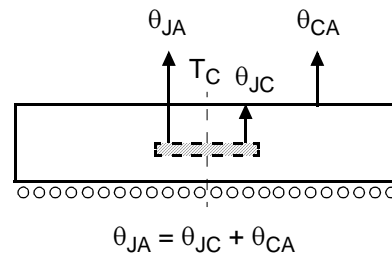


Figure 23. Thermal Resistance (°C/Watt)

Table 14. Thermal Resistance ($^{\circ}\text{C}/\text{W}$) θ_{JC} and θ_{JA} for BGA Package with 6-Layer Board

Board Type ¹	θ_{JC}	θ_{JA} vs. Airflow				
		0	200	400	600	800
6-layer	3.3	16.6	14.7	13.6	12.9	12.5

Notes:

- The board type is described in the JEDEC standards document entitled Thermal Test Chip Guideline (Wire Bond Type Chip) at www.jedec.org. On the home page click on the link Free Standards and Docs, and then click on the document link JESD51-4 under JEDEC PUBLICATIONS.

Table 15. Maximum T_{A} for Plastic BGA Package with 6-Layer Board¹ with $T_{\text{CASE}} = 85^{\circ}\text{C}$

CPU Clock Rate	Airflow (Linear Feet Per Minute)				
	0	200	400	600	800
133 MHz	67 $^{\circ}\text{C}$	70 $^{\circ}\text{C}$	71 $^{\circ}\text{C}$	72 $^{\circ}\text{C}$	73 $^{\circ}\text{C}$
100 MHz	70 $^{\circ}\text{C}$	72 $^{\circ}\text{C}$	74 $^{\circ}\text{C}$	74 $^{\circ}\text{C}$	75 $^{\circ}\text{C}$

Notes:

- The board type is described in the JEDEC standards document entitled Thermal Test Chip Guideline (Wire Bond Type Chip) at www.jedec.org. On the home page click on the link Free Standards and Docs, and then click on the document link JESD51-4 under JEDEC PUBLICATIONS.

$$\theta_{\text{JA}} = \theta_{\text{JC}} + \theta_{\text{CA}}$$

$$P = I_{\text{CC}} \cdot V_{\text{CC}}$$

$$T_{\text{J}} = T_{\text{C}} + (P \cdot \theta_{\text{JC}})$$

$$T_{\text{J}} = T_{\text{A}} + (P \cdot \theta_{\text{JA}})$$

where:

θ_{JA} = Thermal resistance from junction to ambient

θ_{JC} = Thermal resistance from junction to case

θ_{CA} = Thermal resistance from case to ambient

T_{J} = Junction temperature

T_{A} = Ambient temperature

T_{C} = Case temperature

P = Power in Watts

I_{CC} = Power supply current in mA

Figure 24. Thermal Characteristics Equations

SWITCHING CHARACTERISTICS AND WAVEFORMS





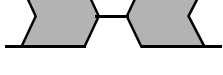
The AC switching specifications provided in the AC characteristics tables that follow consist of output delays, input setup requirements, and input hold requirements.

AC specifications measurement is defined by the figures that follow each timing table. All timings are referenced to 1.5 V unless otherwise specified.

Output delays are specified with minimum and maximum limits, measured as shown. The minimum delay times are hold times provided to external circuitry.

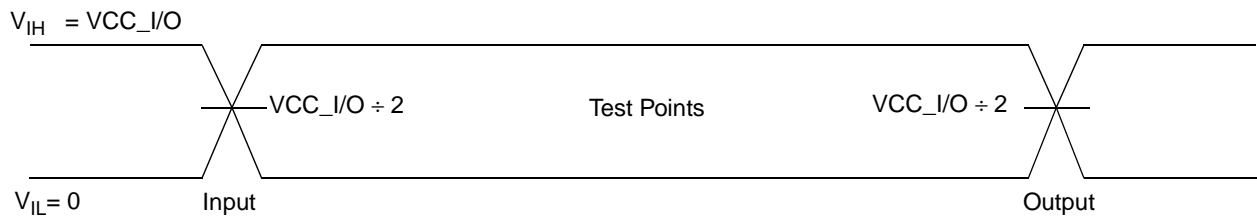
Input setup and hold times are specified as minimums, defining the smallest acceptable sampling window. Within the sampling window, a synchronous input signal must be stable for correct microcontroller operation.

Key to Switching Waveforms

WAVEFORMS	INPUTS	OUTPUTS
	Must be Steady	Will be Steady
	May Change from H to L	Will be Changing from H to L
	May Change from L to H	Will be Changing from L to H
	Don't Care, Any Change Permitted	Changing, State Unknown
	Does Not Apply	Center Line is High-Impedance "Off" State

AC SWITCHING TEST WAVEFORMS

Non-PCI Bus Interface Pins



Note: For AC testing, inputs are driven at 3 V for a logic 1 and 0 V for a logic 0.

Figure 25. AC Switching Test Waveforms

PCI Bus Interface Pins

For AC timing for PCI bus interface pins, refer to the *PCI Local Bus Specification*, Revision 2.2, 4.2.3.3 Measurement and Test Conditions, Figure 4-7: Output Timing Measurement Conditions, and Figure 4-8: Input Timing Measurement Conditions.

SWITCHING CHARACTERISTICS OVER COMMERCIAL OPERATING RANGES

In this section, the following timings and timing waveforms are shown:

- Power-on reset (page 59)
- Reset (page 61)
- ROM (page 63)
- PCI bus (page 65)
- SDRAM (page 66)
- SDRAM clock (page 68)
- GP bus (page 69)
- GP bus DMA read (page 71)
- GP bus DMA write (page 72)
- SSI (page 73)
- JTAG (page 74)

Power-On Reset Timing

Symbol	Parameter Description	Notes	Advance Information			Unit
			Min	Typ	Max	
t1	VCC_RTC valid hold before all other V _{CCS} are valid		0	—	—	—
t2	PWRGOOD valid hold from all V _{CC} valid (except VCC_RTC)	1	—	1	—	s
t3	VCC_RTC valid to BBATSEN active	2	100	—	—	μs
t4	CFGx, RSTLDx, DEBUG_ENTER, INST_TRCE, AMDEBUG_DIS setup to PWRGOOD active		5	—	—	ns
t5	CFGx, RSTLDx, DEBUG_ENTER, INST_TRCE, AMDEBUG_DIS hold from PWRGOOD active		5	—	—	ns
t6	GPRESET active from PWRGOOD inactive		10	—	11	ms
t7	$\overline{\text{RST}}$ active from PWRGOOD inactive		10	—	11	ms
t8	PWRGOOD inactive to all V _{CCS} invalid (except VCC_RTC)	3	33	—	—	μs

Notes:

1. This parameter is dependent on the 32-kHz oscillator startup time, which is dependent on the characteristics of the crystal, leakage and capacitive coupling on the board, and ambient temperature.
2. This parameter ensures that the internal RTC valid status bit is cleared to indicate that the RTC time and CMOS contents are invalid.
3. This parameter must be met to ensure that the RTC date and time are not invalidated.

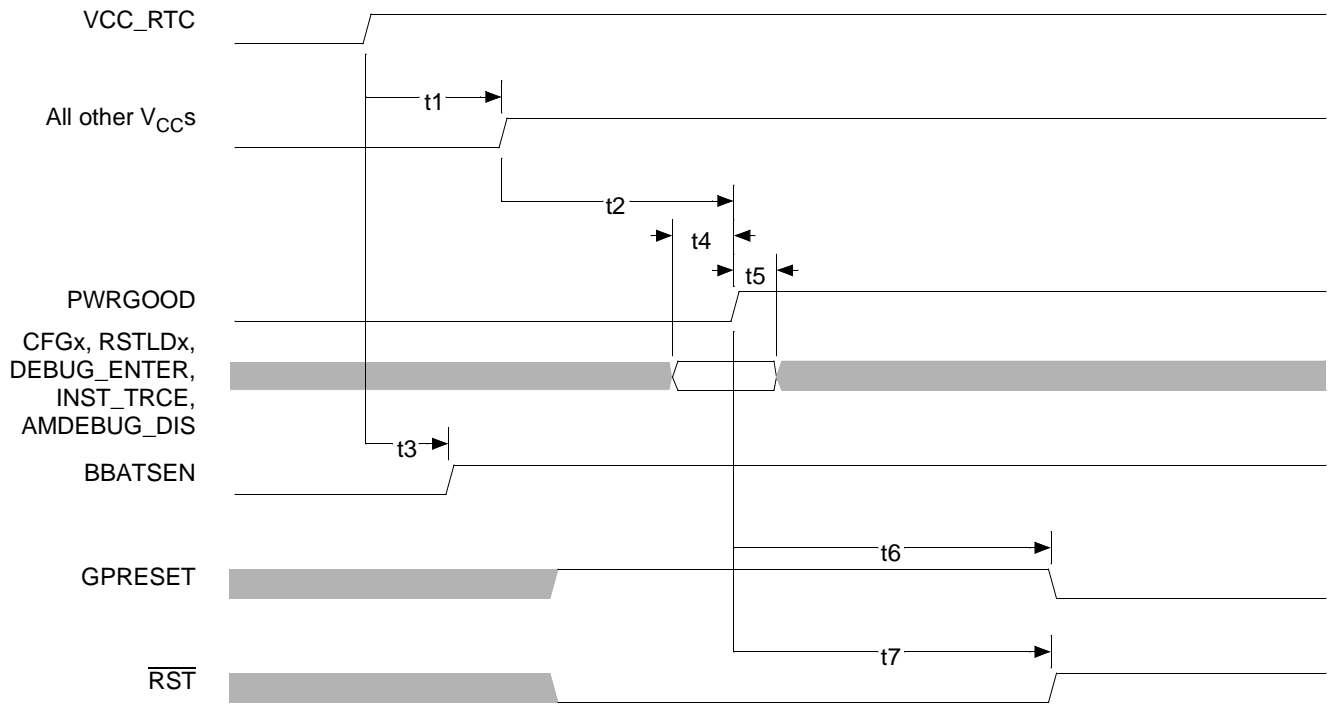
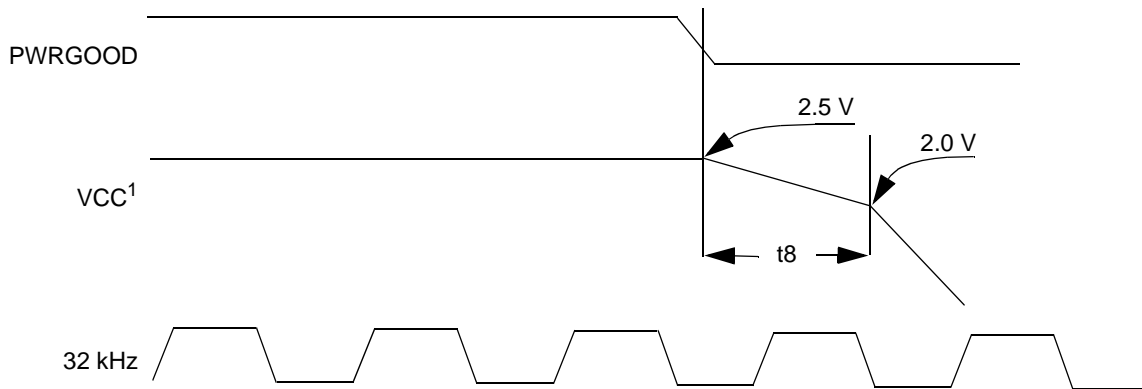


Figure 26. Power-Up Timing Sequence



Notes:

2. Applies to all VCCs except for VCC_RTC, which is left on for this mode.
3. These timings apply only when powering down the chip while leaving only the RTC powered.
4. Guarantees at least one rising edge on the 32-kHz signal after reset before 2 V is reached.

Figure 27. PWRGOOD Timing for RTC Standalone Mode

Reset Timing with Power Applied

Symbol	Parameter Description	Notes	Advance Information		Unit
			Min	Max	
t1	PWRGOOD inactive pulse width		20	—	ns
t2	CFGx, RSTLDx setup to PWRGOOD active		5	—	ns
t3	CFGx, RSTLDx hold from PWRGOOD active		5	—	ns
t4	PWRGOOD inactive to GPRESET, \overline{RST} outputs active		—	20	ns
t5	PWRGOOD active to GPRESET, \overline{RST} outputs inactive		10	—	ms
t6	PRGRESET active pulse width		40	—	ns
t7	PRGRESET active to GPRESET, \overline{RST} outputs active		90	1000	ns
t8	PRGRESET inactive to GPRESET, \overline{RST} outputs inactive		10	—	ms
t9	Reset outputs (GPRESET, \overline{RST}) active pulse width for internally generated system reset	1	10	11	ms

Notes:

1. Internal system reset sources include software system reset (SYS_RST bit), AMDebug interface system reset, and watchdog timer reset.

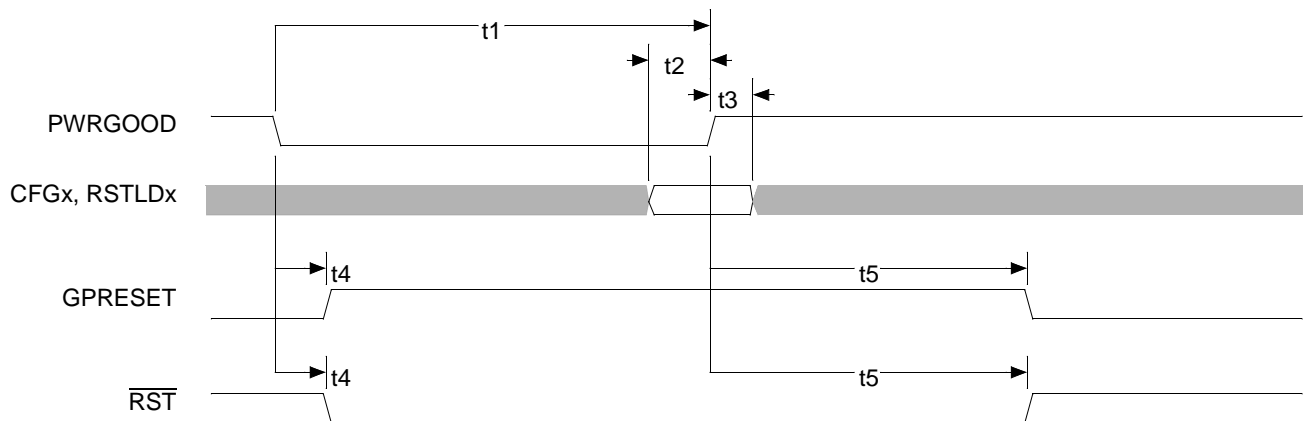


Figure 28. External System Reset Timing with Power Applied

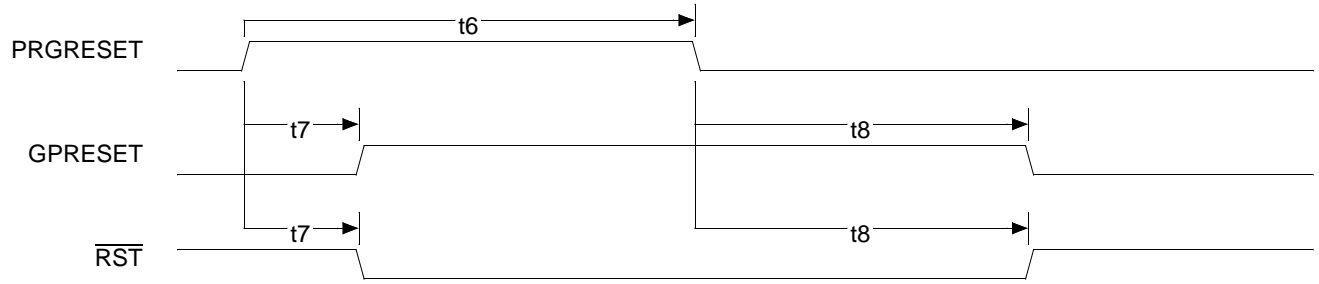


Figure 29. PRGRESET Timing

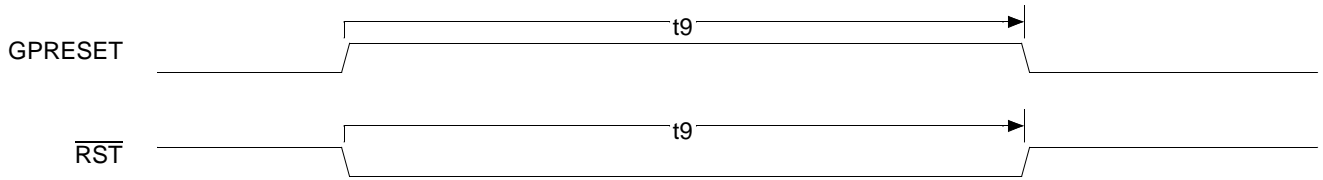


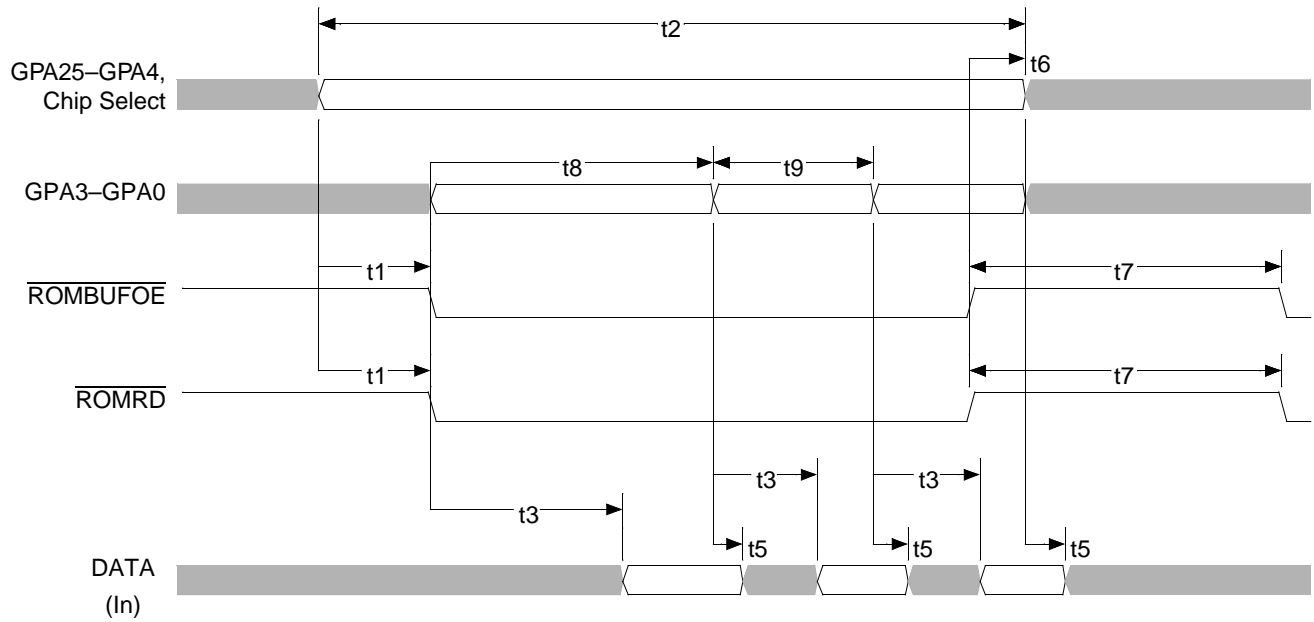
Figure 30. Internal System Reset Timing

ROM Timing

Symbol	Parameter Description ¹	Notes	Advance Information		Unit
			Min	Max	
t1	GPA25–GPA4, chip select setup before $\overline{\text{ROMBUFOE}}$, $\overline{\text{ROMRD}}$, GPA3–GPA0 active		10	—	ns
t2	GPA25–GPA4, chip select active pulse-width read access	2	$(P_{FWS} + 1) \cdot 30^3$	—	ns
t3	Read data valid required from GPA3–GPA0, $\overline{\text{ROMRD}}$ and $\overline{\text{ROMBUFOE}}$, non-page-mode access	2	—	$((P_{FWS} + 1) \cdot 30^3) - 20$	ns
t4	Read data valid from GPA3–GPA0, page-mode access	4	—	$((P_{SWS} + 1) \cdot 30^3) - 20$	ns
t5	Read data hold from address, chip select, $\overline{\text{ROMRD}}$, and $\overline{\text{ROMBUFOE}}$		0	—	ns
t6	GPA25–GPA0, chip select hold time from $\overline{\text{ROMBUFOE}}$, $\overline{\text{ROMRD}}$ read access		0	—	ns
t7	$\overline{\text{ROMBUFOE}}$, $\overline{\text{ROMRD}}$ read recovery time		25	—	ns
t8	GPA3–GPA0 valid, first access	2	$((P_{FWS} + 1) \cdot 30^3) - 5$	—	ns
t9	GPA3–GPA0 valid time, non-page-mode access	2	$((P_{FWS} + 1) \cdot 30^3) - 5$	—	ns
t10	GPA3–GPA0 valid time, page-mode access	4	$((P_{SWS} + 1) \cdot 30^3) - 5$	—	ns
t11	GPA25–GPA0, chip select setup to $\overline{\text{ROMBUFOE}}$, $\overline{\text{FLASHWR}}$ active		25	—	ns
t12	GPA25–GPA0 valid, chip select active pulse-width write access	2	$(P_{FWS} + 2) \cdot 30^3$	—	ns
t13	Write data valid setup to $\overline{\text{ROMBUFOE}}$, $\overline{\text{FLASHWR}}$		15	—	ns
t14	GPA25–GPA0, chip select hold time from $\overline{\text{ROMBUFOE}}$, $\overline{\text{FLASHWR}}$ write access		15	—	ns
t15	Write data hold time from $\overline{\text{ROMBUFOE}}$, $\overline{\text{FLASHWR}}$ write access		15	—	ns
t16	$\overline{\text{ROMBUFOE}}$, $\overline{\text{FLASHWR}}$ write recovery time		45	—	ns

Notes:

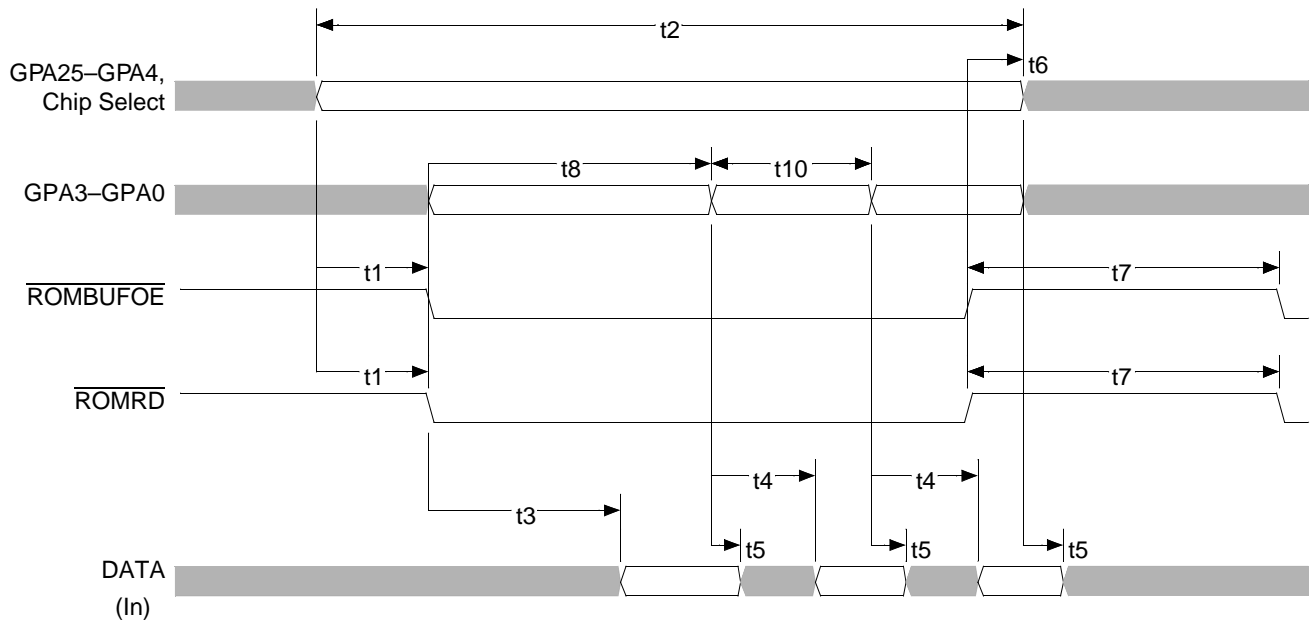
1. Chip Select includes $\overline{\text{BOOTCS}}$, $\overline{\text{ROMCS1}}$, and $\overline{\text{ROMCS2}}$.
2. P_{FWS} represents the programmable first wait state timing parameter in the ROM controller register for the corresponding ROM chip select.
3. The value of 30 corresponds to the 33-MHz crystal frequency and assumes 33.333 MHz.
4. P_{SWS} represents the programmable subsequent wait state timing parameter in the ROM controller register for the corresponding ROM chip select.



Notes:

1. Chip select includes \overline{BOOTCS} , $\overline{ROMCS1}$, and $\overline{ROMCS2}$.
2. Data includes GPD15-GPD0 or MD31-MD0.

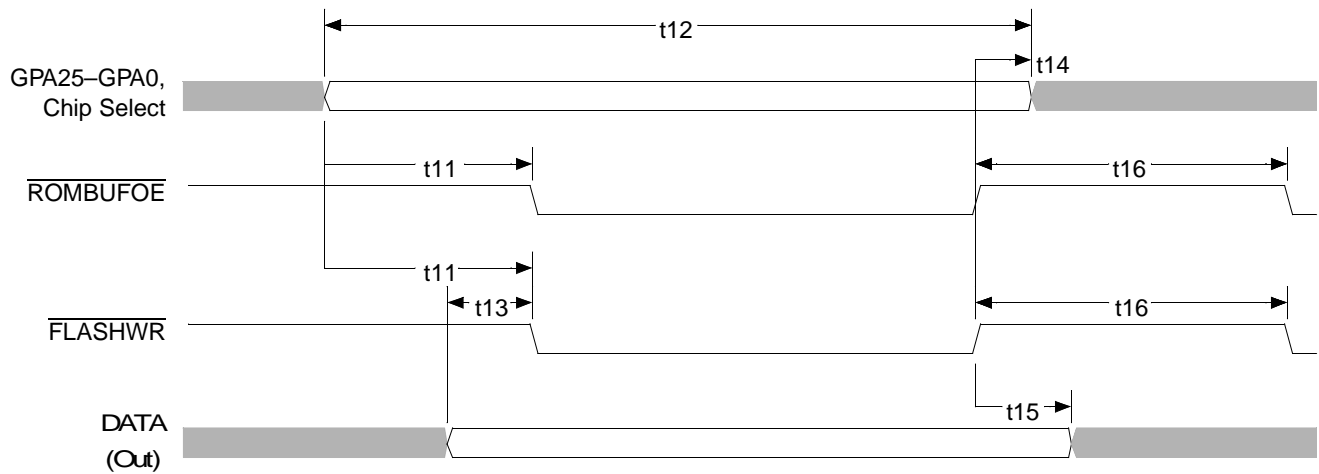
Figure 31. Non-Burst ROM Read Cycle Timing



Notes:

1. Chip select includes \overline{BOOTCS} , $\overline{ROMCS1}$, and $\overline{ROMCS2}$.
2. Data includes GPD15-GPD0 or MD31-MD0.

Figure 32. Page-Mode ROM Read Cycle Timing

**Notes:**

1. Chip select includes \overline{BOOTCS} , $\overline{ROMCS1}$, and $\overline{ROMCS2}$.
2. Data includes $GPD15-GPD0$ or $MD31-MD0$.

Figure 33. Flash Write Cycle Timing**PCI Bus Timing**

The characteristics of the PCI interface pins are specified in the *PCI Local Bus Specification*, Revision 2.2, section 4.2.1.1 DC Specifications, Table 4-1: DC Specifications for 5V Signaling, and section 4.2.2.1 DC Specifications, Table 4-3: DC Specifications for 3.3V Signaling.

SDRAM Timing

Symbol	Parameter Name	Parameter Description	Notes	Advance Information		Unit
				Min	Max	
t1	T_{RC}	Refresh active to active command period T_{RC}		135 ¹	—	ns
t2	T_{RAS}	Active command to precharge command period T_{RAS}		75 ¹	7500	ns
t3	T_{RCD}	Active command to column command same bank T_{RCD}		30 ¹	—	ns
t4	T_{RP}	Precharge command to active command period T_{RP}		30 ¹	—	ns
t5	T_{DPL}	Write recovery or data-in to precharge lead time T_{DPL}		30 ¹	—	ns
t6	T_{CKH}	CK High pulse width T_{CKH}		7	—	ns
t7	T_{CKL}	CK Low pulse width T_{CKL}		7	—	ns
t8	T_{CK}	CK period T_{CK}		15 ¹	—	ns
t9	T_{CS}	Command setup T_{CS}		5	—	ns
t10	T_{CH}	Command hold T_{CH}		2	—	ns
t11	T_{AC}	Access time from CK T_{AC}	2	12	—	ns
t12	T_{DH}	Data-in (read) hold time T_{DH}		2	—	ns
t13	T_{HZ}	CK to data-out high-impedance T_{HZ}		15	—	ns
t14	T_{LZ}	CK to data-out low-impedance T_{LZ}		0	—	ns
t15	T_T	Transition time of CK, rise and fall T_T		1	—	ns
t16	T_{DS}	Data-out (write) setup time T_{DS}		3	—	ns
t17	T_{DH}	Data-out hold time T_{DH}		2	—	ns
t18	T_{AS}	Address setup time T_{AS}		5	—	ns
t19	T_{AH}	Address hold time T_{AH}		2	—	ns

Notes:

1. Corresponds to the 33-MHz crystal frequency and assumes 33.333 MHz with no guardband.
2. This access time is based on the clock period assuming minimal delay between the CLKMEMOUT output and the CLKMEMIN input. It does not take into account external delays for clock buffering/skew, clock loading/routing, and data loading/routing. The delays that the system designer must take into consideration are identified by the equation below:

$$T_{AC} + T_{SKEW} + T_{CK_LD} + T_{D_LD} \leq T_{CK}$$

where:

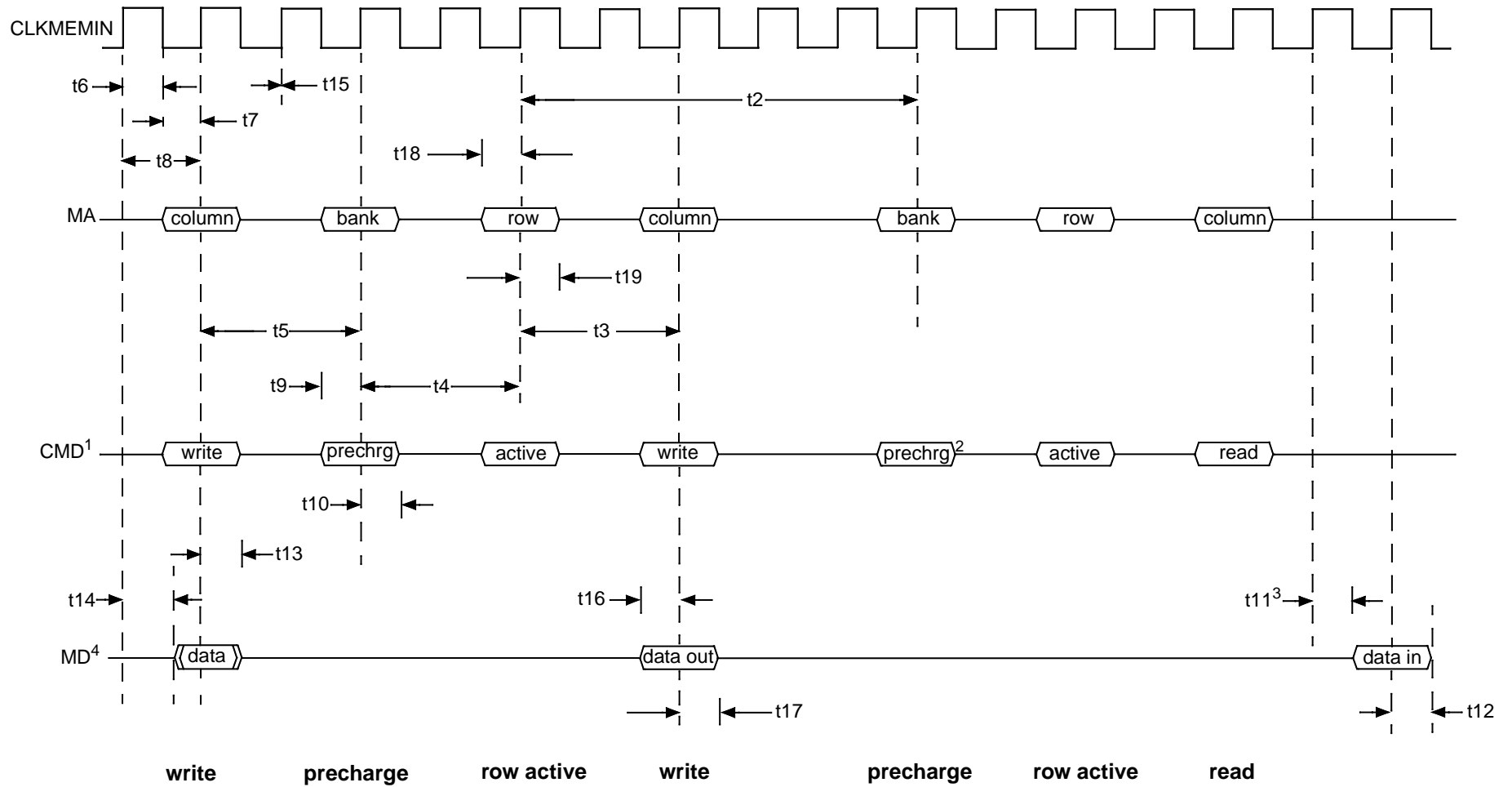
T_{AC} = Access time of SDRAM device (not impacted by board design)

T_{SKEW} = Delay between CLKMEMOUT to CLKMEMIN

T_{CK_LD} = Additional clock delay due to loading

T_{D_LD} = Data delay due to loading

T_{CK} = SDRAM memory clock = 15 ns (assumes 33.333 MHz crystal)



Notes:

1. CMD applies to SRAS, SCAS, BA0, BA1, SWE, SCSx, and SDQM.
2. Prechrg is an abbreviation for precharge.
3. t11 is shown for CAS latency = 2.
4. MD includes all SDRAM data lines and all MECC lines.
5. Parameter t1 (T_{RC}) is not shown.

Figure 34. SDRAM Write and Read Timing

SDRAM Clock Timing

Symbol	Parameter Description	Notes	Advance Information		Unit
			Min	Max	
t1	CLKMEMOUT period	1	14	—	ns
t2	CLKMEMOUT High time	1	7	—	ns
t3	CLKMEMOUT Low time	1	7	—	ns
t4	CLKMEMIN delay rising from CLKMEMOUT rising		-0.5	6	ns

Notes:

1. This parameter is based on a PLL, 2x multiplier of the frequency of the 33-MHz crystal. The value is affected by the chosen frequency of the crystal (33.000 MHz or 33.333 MHz).

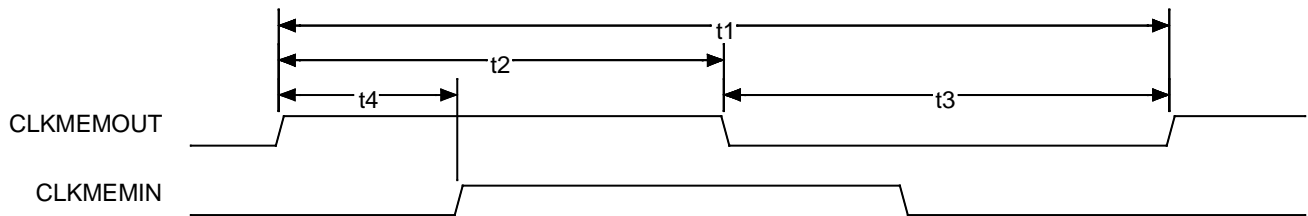


Figure 35. SDRAM Clock Timing

GP Bus Timing¹

Symbol	Parameter Description	Notes	Advance Information		Unit
			Min	Max	
t1	Setup, GPA, $\overline{\text{GPBHE}}$ stable to command assertion, 8/16-bit I/O and memory access	2	$((\text{OFFS}+1) \cdot 30^3) - 5$	—	ns
t2	Setup, $\overline{\text{GPIOCS16}}$, $\overline{\text{GPMEMCS16}}$ asserted to programmed command deassertion		45	—	ns
t2a	Delay, $\overline{\text{GPIOCS16}}$, $\overline{\text{GPMEMCS16}}$ hold from programmed command deassertion		0	—	ns
t3	Command pulse width, $\overline{\text{GPIOWR}}$, $\overline{\text{GPMEMWR}}$, $\overline{\text{GPIORD}}$, $\overline{\text{GPIOWR}}$, 8/16-bit cycles	4	$((\text{PW} + 1) \cdot 30^3) - 5$	—	ns
t4	GPA, $\overline{\text{GPBHE}}$ hold from command deassertion	5	25	—	ns
t5	Setup, GPRDY deasserted to programmed command deassertion	6	45	—	ns
t6	GPRDY pulse width	6	30^3	—	ns
t7	Command High (deassertion) time		85	—	ns
t11	Setup, GPD to write command assertion		$((\text{OFFS}+1) \cdot 30^3) - 15$	—	ns
t12	Hold, GPD from write command deassertion		25	—	ns
t13	Setup, GPD stable to read command deassertion		10	—	ns
t14	Hold, GPD from read command deassertion		0	—	ns
t15	Setup, GPA, GPBHE stable to GPALE falling edge	2,4	$(\text{OFFS} + \text{PW} + 2) \cdot 30^3 - 10$	—	ns
t16	GPALE pulse width	4	$((\text{PW} + 1) \cdot 30^3) - 5$	—	ns
t17	Setup, GPAEN Low to $\overline{\text{GPIORD}}/\overline{\text{GPIOWR}}$ assertion (echo mode)		$((\text{OFFS}+1) \cdot 30^3) - 15$	—	ns
t20 ⁷	Setup, GPA, $\overline{\text{GPBHE}}$ stable to $\overline{\text{GPCS}}$	2	$(\text{OFFS}+1) \cdot 30^3 - 5$	—	ns
t21 ⁷	Hold, GPA, $\overline{\text{GPBHE}}$ stable from $\overline{\text{GPCS}}$	8	$(\text{RCOV}+1) \cdot 30^3 - 5$	—	ns
t22 ⁷	Pulse width, $\overline{\text{GPCS}}$	4	$((\text{PW} + 1) \cdot 30^3) - 5$	—	ns
t27	Hold, GPAEN to $\overline{\text{GPIORD}}/\overline{\text{GPIOWR}}$ deassertion (echo mode)	5	25	—	ns
t45	Setup, $\overline{\text{GPDBUFOE}}$ assertion to command assertion		$((\text{OFFS}+1) \cdot 30^3) - 15$	—	ns
t46	Hold, $\overline{\text{GPDBUFOE}}$ assertion from command assertion	5	25	—	ns

Notes:

1. If the $\overline{\text{GPCS7}}-\overline{\text{GPCS0}}$ signals are internally qualified with the command, the $\overline{\text{GPCS7}}-\overline{\text{GPCS0}}$ and command pads switch simultaneously. $\overline{\text{GPCSx}}$ may deassert prior to the deassertion of the command.
2. OFFS represents the programmable offset timing parameter for the corresponding pin.
3. The 30 corresponds to the 33-MHz crystal frequency and assumes 33.333 MHz.
4. PW represents the programmable pulse width parameter for the corresponding pin.
5. This can be increased based on the programmed chip-select offset and pulse width along with its recovery time.
6. This parameter must be met to ensure that a cycle is extended by GPRDY.
7. This parameter assumes that the $\overline{\text{GPCS7}}-\overline{\text{GPCS0}}$ signals are not internally qualified with the command.
8. RCOV represents the programmable recovery time for the chip selects.

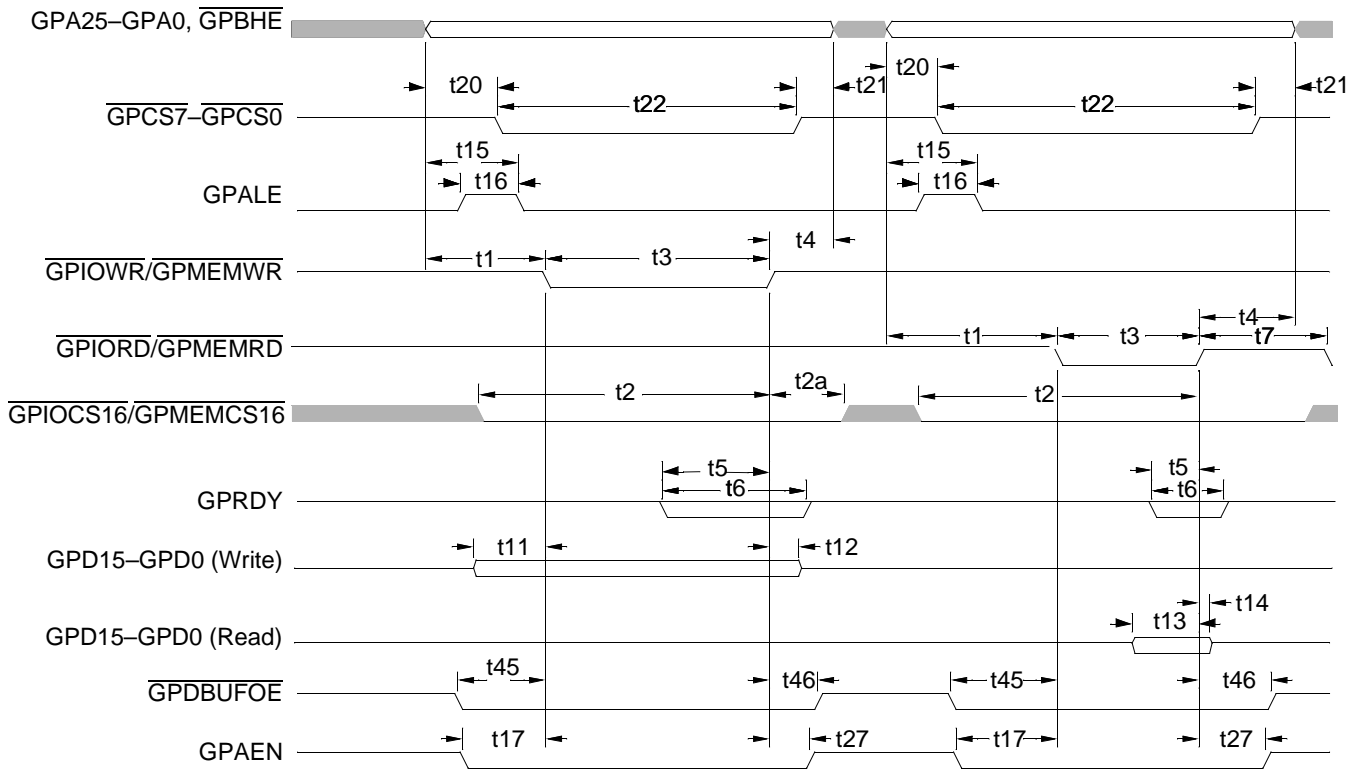


Figure 36. GP Bus Non-DMA Cycle Timing

GP Bus DMA Read Cycle Timing

Symbol	Parameter Description	Advance Information		Unit
		Min	Max	
T_{CLK}	GP-DMA clock cycle	58	244	ns
t1	GPDRQ asserted to \overline{GPDACK} assertion	2	—	T_{CLK}
t2	\overline{GPDACK} asserted to GPAEN and $\overline{GPDBUFOE}$ assertion	1	—	T_{CLK}
t3	GPD setup time for \overline{GPIOWR} , $\overline{GPMEMWR}$ for non-compressed and non-extended write mode	20	—	ns
t4	\overline{GPDACK} asserted to \overline{GPIOWR} , $\overline{GPMEMWR}$ assertion	3.5	—	T_{CLK}
t5	\overline{GPIOWR} , $\overline{GPMEMWR}$ pulse width	1	—	T_{CLK}
t6	\overline{GPDACK} asserted to GPTC assertion	3.5	—	T_{CLK}
t7	GPTC pulse width	1.5	—	T_{CLK}
t8	GPAEN and $\overline{GPDBUFOE}$ deasserted from command deasserted	1	—	T_{CLK}
t9	GPDRQ deasserted from \overline{GPDACK} assertion	0	—	ns
t10	\overline{GPDACK} deasserted from command deasserted	1	—	T_{CLK}
t11	GPD hold from \overline{GPIOWR} , $\overline{GPMEMWR}$	0.5	—	T_{CLK}
t12	GPD setup time for \overline{GPIOWR} , $\overline{GPMEMWR}$ for compressed or extended write mode	0.5	—	T_{CLK}

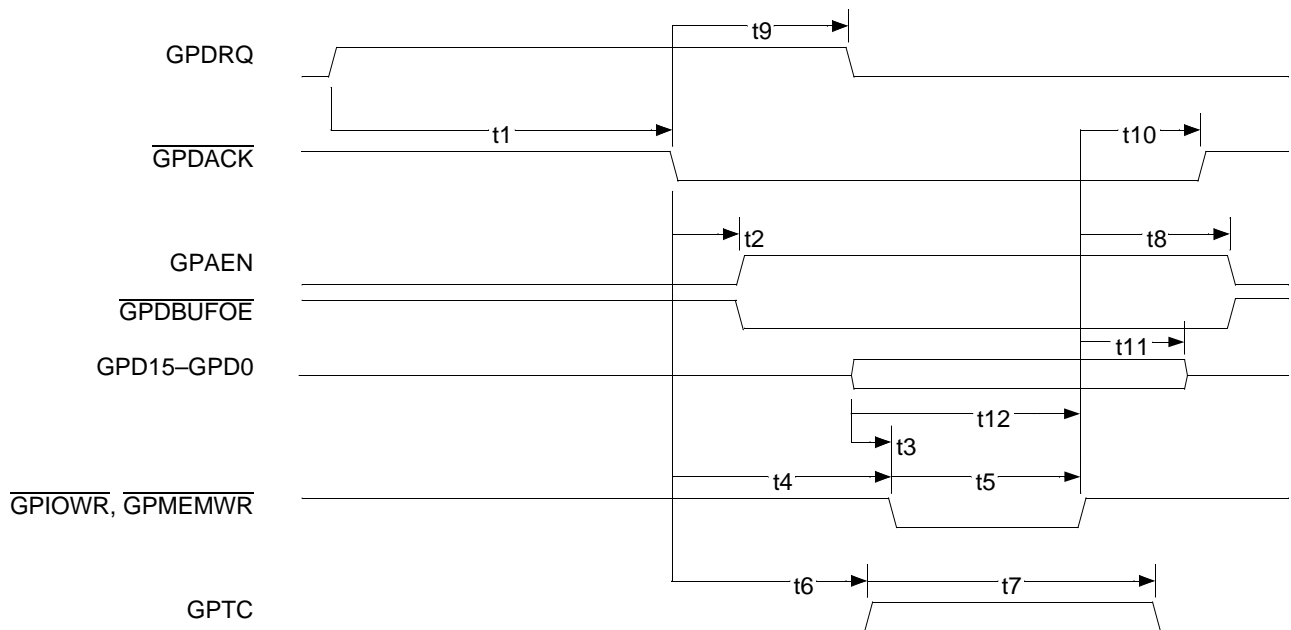


Figure 37. GP-DMA Read Cycle Timing

GP Bus DMA Write Cycle Timing

Symbol	Parameter Description	Advance Information		Unit
		Min	Max	
T_{CLK}	GP-DMA clock cycle	58	244	ns
t1	GPDRQ to \overline{GPDACK} assertion	2	—	T_{CLK}
t2	\overline{GPDACK} asserted to GPAEN and $\overline{GPDBUFOE}$ assertion	1	—	T_{CLK}
t3	\overline{GPIORD} , $\overline{GPMEMRD}$ asserted to GPD valid	—	0.5	T_{CLK}
t4	\overline{GPDACK} asserted to \overline{GPIORD} , $\overline{GPMEMRD}$ assertion	2.5	—	T_{CLK}
t5	\overline{GPIORD} , $\overline{GPMEMRD}$ pulse width	1.5	—	T_{CLK}
t6	\overline{GPDACK} asserted to GPTC assertion	3.5	—	T_{CLK}
t7	GPTC pulse width	1.5	—	T_{CLK}
t8	GPAEN and $\overline{GPDBUFOE}$ deasserted from command deasserted	1	—	T_{CLK}
t9	GPDRQ deasserted from \overline{GPDACK} assertion	0	—	ns
t10	\overline{GPDACK} deasserted from command deasserted	1	—	T_{CLK}
t11	\overline{GPIORD} , $\overline{GPMEMRD}$ deasserted to GPD invalid	0	—	ns

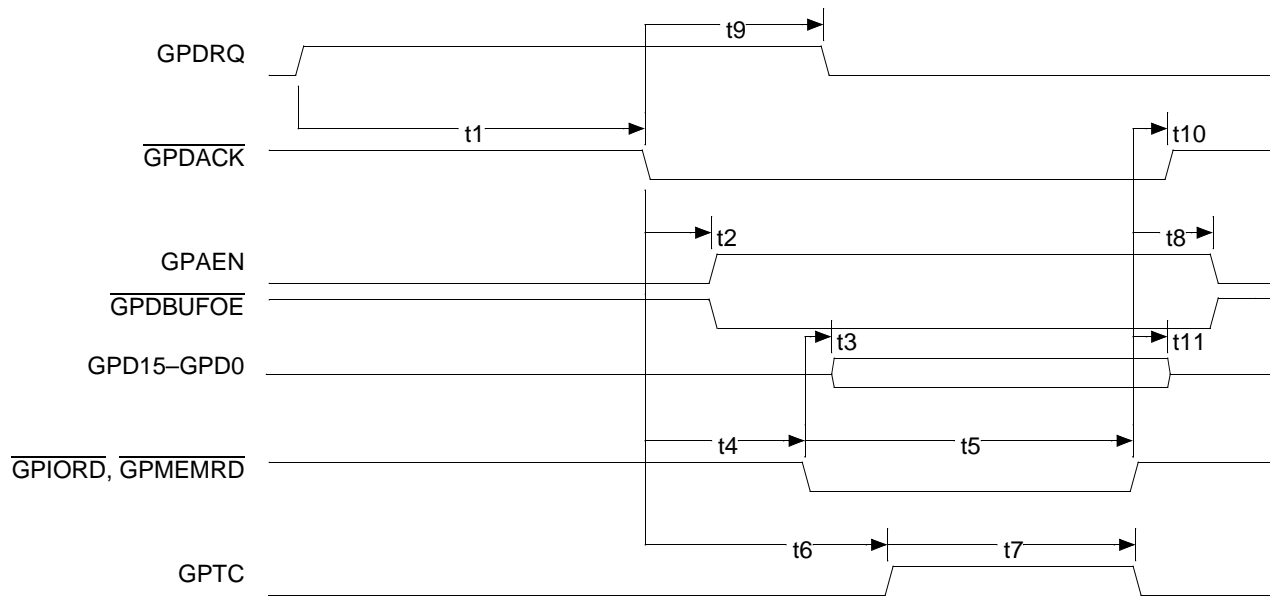


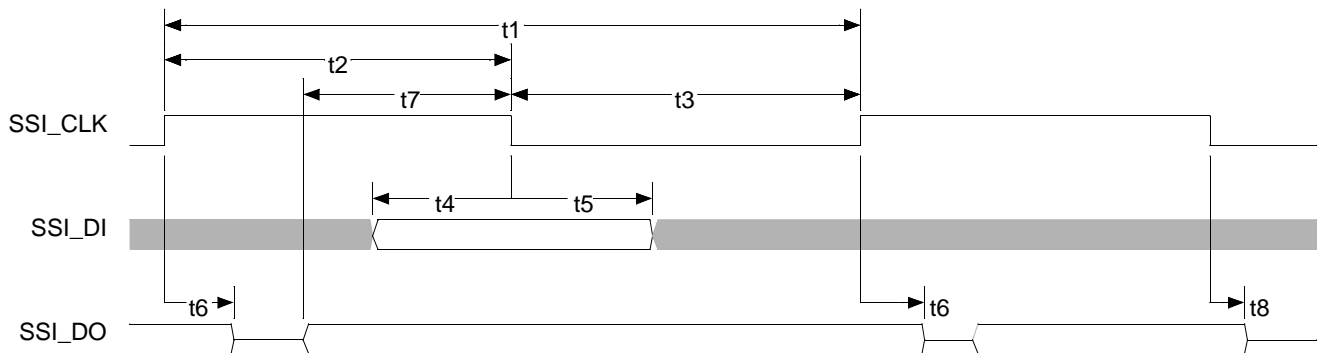
Figure 38. GP-DMA Write Cycle Timing

SSI Timing

Symbol	Parameter Description	Notes	Advance Information		Unit
			Min	Max	
t1	SSI_CLK period	1	110	—	ns
t2	SSI_CLK High time		55	—	ns
t3	SSI_CLK Low time		55	—	ns
t4	SSI_DI setup time to sample edge	2	3	—	ns
t5	SSI_DI hold time from sample edge	2	3	—	ns
t6	SSI_DO hold time from assert edge	2	0	—	ns
t7	SSI_DO setup to sample edge	2,3	$(0.5 T_{CLK}) - 5$	—	ns
t8	SSI_DO high impedance from sample edge of last bit	2,3	$0.5 T_{CLK}$	$(0.5 T_{CLK}) + 5$	ns

Notes:

1. The clock period for the SSI interface is programmable as a divisor of the 33-MHz crystal input. Rates provided are binary multiples from divide by 4 (~110 ns) to divide by 512 (~15526 ns). The actual period is affected by the frequency of the crystal (33.000 MHz or 33.333 MHz).
2. The sample/assert clock edge for the SSI interface is programmable.
3. T_{CLK} refers to the programmed period for the SSI_CLK pin.

**Notes:**

Asserted on rising edge, sampled on falling edge.

Figure 39. SSI Timing

JTAG Timing

Symbol	Parameter Description	Advance Information		Unit
		Min	Max	
t1	JTAG_TRST active pulse width	20	—	ns
t2	JTAG_TCK period	40	—	ns
t3	JTAG_TCK High time	15	—	ns
t4	JTAG_TCK Low time	15	—	ns
t5	JTAG_TMS, JTAG_TDI setup time	5	—	ns
t6	JTAG_TMS, JTAG_TDI hold time	10	—	ns
t7	JTAG_TDO delay	—	10	ns
t8	Input pin setup time	15	—	ns
t9	Input pin hold time	15	—	ns
t10	Output pin delay	—	15	ns

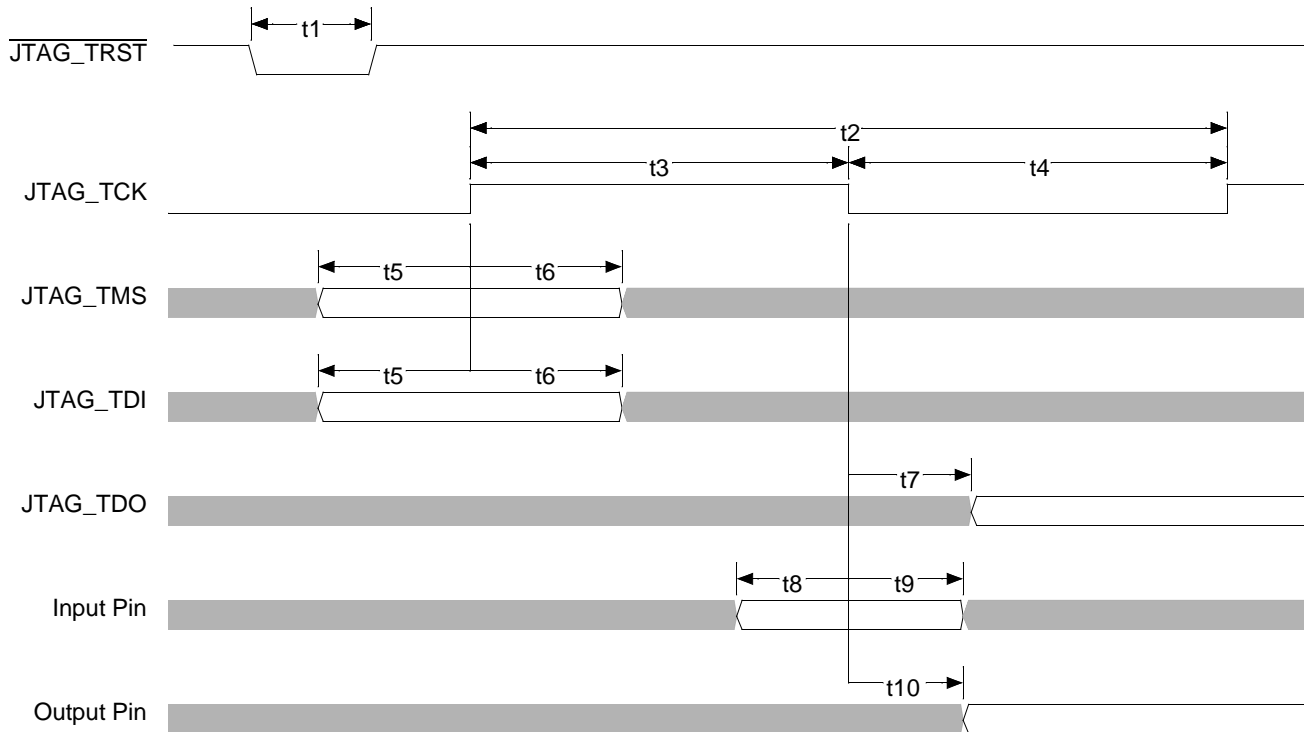


Figure 40. JTAG Boundary Scan Timing

APPENDIX A

PIN TABLES

This appendix contains pin tables for the ÉlanSC520 microcontroller. Several different tables are included with the following characteristics:

- Multiplexed signal tradeoffs—Table 16 on page A-2.
- Programmable I/O pins ordered by PIO pin number and multiplexed signal name, respectively, including a column showing pin configurations following system reset—Table 17 on page A-4 and Table 18 on page A-5.
- Pin summary showing signal name and alternate function, pin number, I/O type, termination, reset state, output drive, and maximum load—Table 20 on page A-7.

For pin tables showing pins sorted by pin number and signal name, respectively, see “Pin Designations (Pin Number)” on page 11 and “Pin Designations (Pin Name)” on page 13.

For signal descriptions, see Table 2, “Signal Descriptions” on page 17.

In all tables the brackets, [], indicate alternate, multiplexed functions, and braces, { }, indicate reset configuration pins (pinstraps). The line over a pin name indicates an active Low signal. The word *pin* refers to the physical wire; the word *signal* refers to the electrical signal that flows through it.

Table 16. Multiplexed Signal Trade-Offs

Signal You Want	Signal You Give Up	Pin #
ROM/Flash Control		
ROMCS1	GPCS1	B24
ROMCS2	GPCS2	C23
GP Bus		
GPAEN	PIO3	AE11
GPALE	PIO0	AE12
GPBHE	PIO1	AF12
GPCS0	PIO27	AE4
GPCS1	ROMCS1	B24
GPCS2	ROMCS2	C23
GPCS3	PITGATE2	AC21
GPCS4	TMRIN1	AA24
GPCS5	TMRIN0	AC20
GPCS6	TMROUT1	AC23
GPCS7	TMROUT0	AD23
GPDACK0	PIO12	AC8
GPDACK1	PIO11	AC9
GPDACK2	PIO10	AD9
GPDACK3	PIO9	AE9
GPDBUFOE	PIO24	AD5
GPDRQ0	PIO8	AF9
GPDRQ1	PIO7	AF10
GPDRQ2	PIO6	AE10
GPDRQ3	PIO5	AD10
GPIOCS16	PIO25	AC4
GPIRQ0	PIO23	AE5
GPIRQ1	PIO22	AF5
GPIRQ2	PIO21	AF6
GPIRQ3	PIO20	AE6
GPIRQ4	PIO19	AD6
GPIRQ5	PIO18	AD7
GPIRQ6	PIO17	AE7
GPIRQ7	PIO16	AF7
GPIRQ8	PIO15	AF8
GPIRQ9	PIO14	AE8
GPIRQ10	PIO13	AD8
GPMEMCS16	PIO26	AD4
GPRDY	PIO2	AF11
GPTC	PIO4	AD11
Serial Ports		
CTS2	PIO28	AF4
DCD2	PIO30	AE3
DSR2	PIO29	AF3
RIN2	PIO31	AD3

Table 16. Multiplexed Signal Trade-Offs (Continued)

Signal You Want	Signal You Give Up	Pin #
Clocks		
CLKTEST	CLKTIMER	A7
CLKTIMER	CLKTEST	A7
Timers		
PITGATE2	$\overline{\text{GPCS3}}$	AC21
TMRIN0	$\overline{\text{GPCS5}}$	AC20
TMRIN1	$\overline{\text{GPCS4}}$	AA24
TMROUT0	$\overline{\text{GPCS7}}$	AD23
TMROUT1	$\overline{\text{GPCS6}}$	AC23
System Test		
$\overline{\text{CF_DRAM}}$	WBMSTR2	W24
$\overline{\text{CF_ROM_GPCS}}$	WBMSTR0	AD20
DATASTRB	WBMSTR1	AC24
WBMSTR0	$\overline{\text{CF_ROM_GPCS}}$	AD20
WBMSTR1	DATASTRB	AC24
WBMSTR2	$\overline{\text{CF_DRAM}}$	W24
Configuration Pins (Pinstraps) —See “Configuration” on page 26.		
Programmable I/O		
PIO0	GPALE	AE12
PIO1	$\overline{\text{GPBHE}}$	AF12
PIO2	GPRDY	AF11
PIO3	GPAEN	AE11
PIO4	GPTC	AD11
PIO5	GPDRQ3	AD10
PIO6	GPDRQ2	AE10
PIO7	GPDRQ1	AF10
PIO8	GPDRQ0	AF9
PIO9	$\overline{\text{GPDACK3}}$	AE9
PIO10	$\overline{\text{GPDACK2}}$	AD9
PIO11	$\overline{\text{GPDACK1}}$	AC9
PIO12	$\overline{\text{GPDACK0}}$	AC8
PIO13	GPIRQ10	AD8
PIO14	GPIRQ9	AE8
PIO15	GPIRQ8	AF8
PIO16	GPIRQ7	AF7
PIO17	GPIRQ6	AE7
PIO18	GPIRQ5	AD7
PIO19	GPIRQ4	AD6
PIO20	GPIRQ3	AE6
PIO21	GPIRQ2	AF6
PIO22	GPIRQ1	AF5
PIO23	GPIRQ0	AE5
PIO24	$\overline{\text{GPDBUFOE}}$	AD5
PIO25	$\overline{\text{GPIOCS16}}$	AC4
PIO26	$\overline{\text{GPMEMCS16}}$	AD4
PIO27	$\overline{\text{GPCS0}}$	AE4

Table 17. PIOs Sorted by PIO Number

PIO (Default Function)	Pin #	Multiplexed Signal	Pin Configuration Following System Reset
PIO0	AE12	GPALE	Input with pullup
PIO1	AF12	$\overline{\text{GPBHE}}$	Input with pullup
PIO2	AF11	GPRDY	Input with pullup
PIO3	AE11	GPAEN	Input with pullup
PIO4	AD11	GPTC	Input with pullup
PIO5	AD10	GPDRQ3	Input with pulldown
PIO6	AE10	GPDRQ2	Input with pulldown
PIO7	AF10	GPDRQ1	Input with pulldown
PIO8	AF9	GPDRQ0	Input with pulldown
PIO9	AE9	$\overline{\text{GPDACK3}}$	Input with pullup
PIO10	AD9	$\overline{\text{GPDACK2}}$	Input with pullup
PIO11	AC9	$\overline{\text{GPDACK1}}$	Input with pullup
PIO12	AC8	$\overline{\text{GPDACK0}}$	Input with pullup
PIO13	AD8	GPIRQ10	Input with pullup
PIO14	AE8	GPIRQ9	Input with pullup
PIO15	AF8	GPIRQ8	Input with pullup
PIO16	AF7	GPIRQ7	Input with pullup
PIO17	AE7	GPIRQ6	Input with pullup
PIO18	AD7	GPIRQ5	Input with pullup
PIO19	AD6	GPIRQ4	Input with pullup
PIO20	AE6	GPIRQ3	Input with pullup
PIO21	AF6	GPIRQ2	Input with pullup
PIO22	AF5	GPIRQ1	Input with pullup
PIO23	AE5	GPIRQ0	Input with pullup
PIO24	AD5	$\overline{\text{GPDBUFOE}}$	Input with pullup
PIO25	AC4	$\overline{\text{GPIOCS16}}$	Input with pullup
PIO26	AD4	$\overline{\text{GPMEMCS16}}$	Input with pullup
PIO27	AE4	$\overline{\text{GPCS0}}$	Input with pullup
PIO28	AF4	$\overline{\text{CTS2}}$	Input with pullup
PIO29	AF3	$\overline{\text{DSR2}}$	Input with pullup
PIO30	AE3	$\overline{\text{DCD2}}$	Input with pullup
PIO31	AD3	$\overline{\text{RIN2}}$	Input with pullup

Table 18. PIOs Sorted by Signal Name

Multiplexed Signal	PIO (Default Function)	Pin Configuration Following System Reset	Pin #
$\overline{\text{CTS2}}$	PIO28	Input with pullup	AF4
$\overline{\text{DCD2}}$	PIO30	Input with pullup	AE3
$\overline{\text{DSR2}}$	PIO29	Input with pullup	AF3
GPAEN	PIO3	Input with pullup	AE11
GPALÉ	PIO0	Input with pullup	AE12
$\overline{\text{GPBHE}}$	PIO1	Input with pullup	AF12
$\overline{\text{GPCS0}}$	PIO27	Input with pullup	AE4
$\overline{\text{GPDACK0}}$	PIO12	Input with pullup	AC8
$\overline{\text{GPDACK1}}$	PIO11	Input with pullup	AC9
$\overline{\text{GPDACK2}}$	PIO10	Input with pullup	AD9
$\overline{\text{GPDACK3}}$	PIO9	Input with pullup	AE9
$\overline{\text{GPDBUFOE}}$	PIO24	Input with pullup	AD5
GPDRQ0	PIO8	Input with pulldown	AF9
GPDRQ1	PIO7	Input with pulldown	AF10
GPDRQ2	PIO6	Input with pulldown	AE10
GPDRQ3	PIO5	Input with pulldown	AD10
$\overline{\text{GPIÖCS16}}$	PIO25	Input with pullup	AC4
GPIRQ0	PIO23	Input with pullup	AE5
GPIRQ1	PIO22	Input with pullup	AF5
GPIRQ10	PIO13	Input with pullup	AD8
GPIRQ2	PIO21	Input with pullup	AF6
GPIRQ3	PIO20	Input with pullup	AE6
GPIRQ4	PIO19	Input with pullup	AD6
GPIRQ5	PIO18	Input with pullup	AD7
GPIRQ6	PIO17	Input with pullup	AE7
GPIRQ7	PIO16	Input with pullup	AF7
GPIRQ8	PIO15	Input with pullup	AF8
GPIRQ9	PIO14	Input with pullup	AE8
$\overline{\text{GPMEMCS16}}$	PIO26	Input with pullup	AD4
GPRDY	PIO2	Input with pullup	AF11
GPTC	PIO4	Input with pullup	AD11
$\overline{\text{RIN2}}$	PIO31	Input with pullup	AD3

Pin List Summary Table Column Definitions

The following paragraphs describe the individual columns of information in Table 20, “Pin List Summary,” on page A-7. The pins are grouped alphabetically by function.

Column #1—Signal Name, [Alternate Function], {Pinstrap}

This column denotes the primary and alternate functions of the pins.

Brackets, [], are used to indicate the alternate, multiplexed function of a pin.

Braces, { }, are used to indicate the functionality of a pin only during a processor reset. These signals are called pinstraps. For pinstraps, see “Configuration” on page 26.

Column #2—Pin #

The pin number column identifies the pin number of the individual I/O signal on the package.

Column #3—Type

Definitions of the abbreviations in the Type column are shown in Table 19.

Column #4—Termination

The Termination column specifies the presence of pullups or pulldowns on the pins.

Column #5—Reset State

Definitions of the abbreviations in the Reset State column are shown in Table 19.

Column #6—Output Drive

The Output Drive column shows the output amperage.

Column #7—Max Load (pF)

The Max Load column designates the capacitive load at which the I/O timing for that pin is guaranteed.

Column #8—Note

The Note column shows footnote numbers.

Table 19. Pin List Summary Table Abbreviations

Type	Definition
—	None or not applicable.
[]	Brackets signify a programmable alternate state.
{ }	Reset configuration pin. These are the configuration pins latched during reset.
Active	Used in the Reset State column to indicate signals active during reset.
Analog	Pin is an analog input.
B	Bidirectional.
H	Driven High (a logical 1).
I	Pin is an input.
IOD	Input or open-drain output.
L	Driven Low (a logical 0).
Latched	Used in the Reset State column to indicate a signal latched on reset.
NA	Not applicable.
O	Pin is an active output.
OD	Open-drain output.
Osc	Oscillator.
PD	Built-in pulldown resistor (~100–150 kΩ).
Power	Power pins.
PU	Built-in pullup resistor (~100–150 kΩ).
STI	Pin is a Schmitt trigger input.
STS	Sustained three-state (PCI drive).
TS	Three-state output.

Table 20. Pin List Summary

Signal Name [Alternate Function] {Pinstrap}	Pin #	Type	Termination	Reset State	Output Drive	Max Load (pF)
SDRAM						
BA0	T25	O	—	H	12/18/24 mA	50 pF
BA1	U25	O	—	H	12/18/24 mA	50 pF
CLKMEMIN	A4	I	—	I	—	—
CLKMEMOUT	B19	O	—	Active	24 mA	50 pF
MA0	L25	O	—	H	12/18/24 mA	50 pF
MA1	L26	O	—	H	12/18/24 mA	50 pF
MA2	M26	O	—	H	12/18/24 mA	50 pF
MA3	M25	O	—	H	12/18/24 mA	50 pF
MA4	N25	O	—	H	12/18/24 mA	50 pF
MA5	N26	O	—	H	12/18/24 mA	50 pF
MA6	P26	O	—	H	12/18/24 mA	50 pF
MA7	P25	O	—	H	12/18/24 mA	50 pF
MA8	R25	O	—	H	12/18/24 mA	50 pF
MA9	R26	O	—	H	12/18/24 mA	50 pF
MA10	T26	O	—	H	12/18/24 mA	50 pF
MA11	U26	O	—	H	12/18/24 mA	50 pF
MA12	V26	O	—	H	12/18/24 mA	50 pF
MD0	B7	B	—	I	12/18/24 mA	50 pF
MD1	A8	B	—	I	12/18/24 mA	50 pF
MD2	B9	B	—	I	12/18/24 mA	50 pF
MD3	A10	B	—	I	12/18/24 mA	50 pF
MD4	B11	B	—	I	12/18/24 mA	50 pF
MD5	A12	B	—	I	12/18/24 mA	50 pF
MD6	B13	B	—	I	12/18/24 mA	50 pF
MD7	A14	B	—	I	12/18/24 mA	50 pF
MD8	B15	B	—	I	12/18/24 mA	50 pF
MD9	A16	B	—	I	12/18/24 mA	50 pF
MD10	B17	B	—	I	12/18/24 mA	50 pF
MD11	A18	B	—	I	12/18/24 mA	50 pF
MD12	B20	B	—	I	12/18/24 mA	50 pF
MD13	A21	B	—	I	12/18/24 mA	50 pF
MD14	A22	B	—	I	12/18/24 mA	50 pF
MD15	B23	B	—	I	12/18/24 mA	50 pF
MD16	B8	B	—	I	12/18/24 mA	50 pF
MD17	A9	B	—	I	12/18/24 mA	50 pF
MD18	B10	B	—	I	12/18/24 mA	50 pF
MD19	A11	B	—	I	12/18/24 mA	50 pF
MD20	B12	B	—	I	12/18/24 mA	50 pF
MD21	A13	B	—	I	12/18/24 mA	50 pF
MD22	B14	B	—	I	12/18/24 mA	50 pF
MD23	A15	B	—	I	12/18/24 mA	50 pF

Table 20. Pin List Summary (Continued)

Signal Name [Alternate Function] {Pinstrap}	Pin #	Type	Termination	Reset State	Output Drive	Max Load (pF)
MD24	B16	B	—	I	12/18/24 mA	50 pF
MD25	A17	B	—	I	12/18/24 mA	50 pF
MD26	B18	B	—	I	12/18/24 mA	50 pF
MD27	A19	B	—	I	12/18/24 mA	50 pF
MD28	A20	B	—	I	12/18/24 mA	50 pF
MD29	B21	B	—	I	12/18/24 mA	50 pF
MD30	A23	B	—	I	12/18/24 mA	50 pF
MD31	A24	B	—	I	12/18/24 mA	50 pF
MECC0	C25	B	—	I	12/18/24 mA	50 pF
MECC1	D26	B	—	I	12/18/24 mA	50 pF
MECC2	W26	B	—	I	12/18/24 mA	50 pF
MECC3	Y25	B	—	I	12/18/24 mA	50 pF
MECC4	C26	B	—	I	12/18/24 mA	50 pF
MECC5	D25	B	—	I	12/18/24 mA	50 pF
MECC6	Y26	B	—	I	12/18/24 mA	50 pF
$\overline{\text{SCASA}}$	F25	O	—	H	12/18/24 mA	50 pF
$\overline{\text{SCASB}}$	F26	O	—	H	12/18/24 mA	50 pF
$\overline{\text{SCS0}}$	V25	O	—	H	12/18 mA	50 pF
$\overline{\text{SCS1}}$	W25	O	—	H	12/18 mA	50 pF
$\overline{\text{SCS2}}$	J25	O	—	H	12/18 mA	50 pF
$\overline{\text{SCS3}}$	J26	O	—	H	12/18 mA	50 pF
SDQM0	G25	O	—	H	12/18/24 mA	50 pF
SDQM1	H26	O	—	H	12/18/24 mA	50 pF
SDQM2	G26	O	—	H	12/18/24 mA	50 pF
SDQM3	H25	O	—	H	12/18/24 mA	50 pF
$\overline{\text{SRASA}}$	K25	O	—	H	12/18/24 mA	50 pF
$\overline{\text{SRASB}}$	K26	O	—	H	12/18/24 mA	50 pF
$\overline{\text{SWEA}}$	E26	O	—	H	12/18/24 mA	50 pF
$\overline{\text{SWEB}}$	E25	O	—	H	12/18/24 mA	50 pF
ROM/Flash Control						
$\overline{\text{BOOTCS}}$	AB25	O	—	H	12 mA	70 pF
$\overline{\text{FLASHWR}}$	AB24	O	—	H	24 mA	70 pF
$\overline{\text{ROMBUFOE}}$	AA25	O	—	H	12 mA	70 pF
$\overline{\text{ROMCS1}}$ [GPCS1]	B24	O [O]	—	H	12 mA	70 pF
$\overline{\text{ROMCS2}}$ [GPCS2]	C23	O [O]	—	H	12 mA	70 pF
$\overline{\text{ROMRD}}$	AB23	O	—	H	24 mA	70 pF
PCI Bus						
AD0	AC2	STS-B	—	L	—	—
AD1	AC1	STS-B	—	L	—	—
AD2	AB1	STS-B	—	L	—	—
AD3	AB2	STS-B	—	L	—	—

Table 20. Pin List Summary (Continued)

Signal Name [Alternate Function] {Pinstrap}	Pin #	Type	Termination	Reset State	Output Drive	Max Load (pF)
AD4	AA2	STS-B	—	L	—	—
AD5	AA1	STS-B	—	L	—	—
AD6	Y1	STS-B	—	L	—	—
AD7	Y2	STS-B	—	L	—	—
AD8	W1	STS-B	—	L	—	—
AD9	V1	STS-B	—	L	—	—
AD10	V2	STS-B	—	L	—	—
AD11	U2	STS-B	—	L	—	—
AD12	U1	STS-B	—	L	—	—
AD13	T1	STS-B	—	L	—	—
AD14	T2	STS-B	—	L	—	—
AD15	R2	STS-B	—	L	—	—
AD16	K2	STS-B	—	L	—	—
AD17	J2	STS-B	—	L	—	—
AD18	J1	STS-B	—	L	—	—
AD19	H1	STS-B	—	L	—	—
AD20	H2	STS-B	—	L	—	—
AD21	G2	STS-B	—	L	—	—
AD22	G1	STS-B	—	L	—	—
AD23	F1	STS-B	—	L	—	—
AD24	E2	STS-B	—	L	—	—
AD25	E1	STS-B	—	L	—	—
AD26	D1	STS-B	—	L	—	—
AD27	D2	STS-B	—	L	—	—
AD28	B2	STS-B	—	L	—	—
AD29	B1	STS-B	—	L	—	—
AD30	A1	STS-B	—	L	—	—
AD31	A2	STS-B	—	L	—	—
$\overline{\text{CBE0}}$	W2	STS-B	—	L	—	—
$\overline{\text{CBE1}}$	R1	STS-B	—	L	—	—
$\overline{\text{CBE2}}$	K1	STS-B	—	L	—	—
$\overline{\text{CBE3}}$	F2	STS-B	—	L	—	—
CLKPCIIN	G3	I	—	I	—	—
CLKPCIOUT	A6	O	—	Active	—	—
$\overline{\text{DEVSEL}}$	M1	STS-B	—	TS	—	—
$\overline{\text{FRAME}}$	L1	STS-B	—	TS	—	—
$\overline{\text{GNT0}}$	M3	O	—	TS	—	—
$\overline{\text{GNT1}}$	N4	O	—	TS	—	—
$\overline{\text{GNT2}}$	P3	O	—	TS	—	—
$\overline{\text{GNT3}}$	T3	O	—	TS	—	—
$\overline{\text{GNT4}}$	U4	O	—	TS	—	—
$\overline{\text{INTA}}$	K3	I	—	I	—	—

Table 20. Pin List Summary (Continued)

Signal Name [Alternate Function] {Pinstrap}	Pin #	Type	Termination	Reset State	Output Drive	Max Load (pF)
$\overline{\text{INTB}}$	J3	I	—	I	—	—
$\overline{\text{INTC}}$	H3	I	—	I	—	—
$\overline{\text{INTD}}$	H4	I	—	I	—	—
$\overline{\text{IRDY}}$	L2	STS-B	—	TS	—	—
PAR	P1	STS-B	—	L	—	—
$\overline{\text{PERR}}$	N2	STS-B	—	TS	—	—
$\overline{\text{REQ0}}$	L3	I	—	I	—	—
$\overline{\text{REQ1}}$	N3	I	—	I	—	—
$\overline{\text{REQ2}}$	P4	I	—	I	—	—
$\overline{\text{REQ3}}$	R3	I	—	I	—	—
$\overline{\text{REQ4}}$	U3	I	—	I	—	—
$\overline{\text{RST}}$	A5	O	—	L	—	—
$\overline{\text{SERR}}$	P2	STS-I	—	TS	—	—
$\overline{\text{STOP}}$	N1	STS-B	—	TS	—	—
$\overline{\text{TRDY}}$	M2	STS-B	—	TS	—	—
GP Bus						
GPA0	J24	O	—	H	12 mA	70 pF
GPA1	G4	O	—	H	12 mA	70 pF
GPA2	K24	O	—	H	12 mA	70 pF
GPA3	J23	O	—	H	12 mA	70 pF
GPA4	L24	O	—	H	12 mA	70 pF
GPA5	H24	O	—	H	12 mA	70 pF
GPA6	C1	O	—	H	12 mA	70 pF
GPA7	F23	O	—	H	12 mA	70 pF
GPA8	M24	O	—	H	12 mA	70 pF
GPA9	C2	O	—	H	12 mA	70 pF
GPA10	M23	O	—	H	12 mA	70 pF
GPA11	N23	O	—	H	12 mA	70 pF
GPA12	N24	O	—	H	12 mA	70 pF
GPA13	P24	O	—	H	12 mA	70 pF
GPA14	R24	O	—	H	12 mA	70 pF
GPA15 {RSTLD0}	C24	O {I}	PD	Latched	12 mA	70 pF
GPA16 {RSTLD1}	D24	O {I}	PD	Latched	12 mA	70 pF
GPA17 {RSTLD2}	E24	O {I}	PD	Latched	12 mA	70 pF
GPA18 {RSTLD3}	B22	O {I}	PD	Latched	12 mA	70 pF
GPA19 {RSTLD4}	C21	O {I}	PD	Latched	12 mA	70 pF
GPA20 {RSTLD5}	C14	O {I}	PD	Latched	12 mA	70 pF

Table 20. Pin List Summary (Continued)

Signal Name [Alternate Function] {Pinstrap}	Pin #	Type	Termination	Reset State	Output Drive	Max Load (pF)
GPA21 {RSTLD6}	C19	O {I}	PD	Latched	12 mA	70 pF
GPA22 {RSTLD7}	F3	O {I}	PD	Latched	12 mA	70 pF
GPA23 {AMDEBUG_DIS}	D3	O {I}	PD	Latched	12 mA	70 pF
GPA24 {INST_TRCE}	D4	O {I}	PD	Latched	12 mA	70 pF
GPA25 {DEBUG_ENTER}	C3	O {I}	PD	Latched	12 mA	70 pF
GPD0	C4	B	PU	I	12 mA	70 pF
GPD1	B5	B	PU	I	12 mA	70 pF
GPD2	C7	B	PU	I	12 mA	70 pF
GPD3	C8	B	PU	I	12 mA	70 pF
GPD4	C9	B	PU	I	12 mA	70 pF
GPD5	D9	B	PU	I	12 mA	70 pF
GPD6	D10	B	PU	I	12 mA	70 pF
GPD7	C10	B	PU	I	12 mA	70 pF
GPD8	C11	B	PU	I	12 mA	70 pF
GPD9	C12	B	PU	I	12 mA	70 pF
GPD10	C13	B	PU	I	12 mA	70 pF
GPD11	D13	B	PU	I	12 mA	70 pF
GPD12	D14	B	PU	I	12 mA	70 pF
GPD13	C15	B	PU	I	12 mA	70 pF
GPD14	C17	B	PU	I	12 mA	70 pF
GPD15	D17	B	PU	I	12 mA	70 pF
$\overline{\text{GPIORD}}$	G24	O	—	H	12 mA	70 pF
$\overline{\text{GPIOWR}}$	C16	O	—	H	12 mA	70 pF
$\overline{\text{GPMEMRD}}$	F24	O	—	H	12 mA	70 pF
$\overline{\text{GPMEMWR}}$	C18	O	—	H	12 mA	70 pF
GPRESET	AC22	O	—	H	6 mA	70 pF
PIO0 [GPALE]	AE12	B [O]	PU	I	6 mA	30 pF
PIO1 [GPBHE]	AF12	B [O]	PU	I	6 mA	30 pF
PIO2 [GPRDY]	AF11	B [STI]	PU	I	6 mA	30 pF
PIO3 [GPAEN]	AE11	B [O]	PU	I	6 mA	30 pF
PIO4 [GPTC]	AD11	B [O]	PU	I	6 mA	30 pF
PIO5 [GPDRQ3]	AD10	B [I]	PD	I	6 mA	30 pF
PIO6 [GPDRQ2]	AE10	B [I]	PD	I	6 mA	30 pF

Table 20. Pin List Summary (Continued)

Signal Name [Alternate Function] {Pinstrap}	Pin #	Type	Termination	Reset State	Output Drive	Max Load (pF)
PIO7 [GPDRQ1]	AF10	B [I]	PD	I	6 mA	30 pF
PIO8 [GPDRQ0]	AF9	B [I]	PD	I	6 mA	30 pF
PIO9 [GPDACK3]	AE9	B [O]	PU	I	6 mA	30 pF
PIO10 [GPDACK2]	AD9	B [O]	PU	I	6 mA	30 pF
PIO11 [GPDACK1]	AC9	B [O]	PU	I	6 mA	30 pF
PIO12 [GPDACK0]	AC8	B [O]	PU	I	6 mA	30 pF
PIO13 [GPIRQ10]	AD8	B [I]	PU	I	6 mA	30 pF
PIO14 [GPIRQ9]	AE8	B [I]	PU	I	6 mA	30 pF
PIO15 [GPIRQ8]	AF8	B [I]	PU	I	6 mA	30 pF
PIO16 [GPIRQ7]	AF7	B [I]	PU	I	6 mA	30 pF
PIO17 [GPIRQ6]	AE7	B [I]	PU	I	6 mA	30 pF
PIO18 [GPIRQ5]	AD7	B [I]	PU	I	6 mA	30 pF
PIO19 [GPIRQ4]	AD6	B [I]	PU	I	6 mA	30 pF
PIO20 [GPIRQ3]	AE6	B [I]	PU	I	6 mA	30 pF
PIO21 [GPIRQ2]	AF6	B [I]	PU	I	6 mA	30 pF
PIO22 [GPIRQ1]	AF5	B [I]	PU	I	6 mA	30 pF
PIO23 [GPIRQ0]	AE5	B [I]	PU	I	6 mA	30 pF
PIO24 [GPDBUFOE]	AD5	B [O]	PU	I	6 mA	30 pF
PIO25 [GPIOCS16]	AC4	B [STI]	PU	I	6 mA	30 pF
PIO26 [GPMEMCS16]	AD4	B [STI]	PU	I	6 mA	30 pF
PIO27 [GPCS0]	AE4	B [O]	PU	I	6 mA	30 pF
Serial Ports						
$\overline{\text{CTS1}}$	V3	I	PU	I	—	—
$\overline{\text{DCD1}}$	V4	I	PU	I	—	—
$\overline{\text{DSR1}}$	Y3	I	PU	I	—	—
$\overline{\text{DTR1}}$	W3	O	—	H	6 mA	30 pF
$\overline{\text{DTR2}}$	AE23	O	—	H	6 mA	30 pF

Table 20. Pin List Summary (Continued)

Signal Name [Alternate Function] {Pinstrap}	Pin #	Type	Termination	Reset State	Output Drive	Max Load (pF)
PIO28 [CTS2]	AF4	B [I]	PU	I	6 mA	30 pF
PIO29 [DSR2]	AF3	B [I]	PU	I	6 mA	30 pF
PIO30 [DCD2]	AE3	B [I]	PU	I	6 mA	30 pF
PIO31 [RIN2]	AD3	B [I]	PU	I	6 mA	30 pF
RIN1	AA3	I	PU	I	—	—
RTS1	W4	O	—	H	6 mA	30 pF
RTS2	AD22	O	—	H	6 mA	30 pF
SIN1	AE2	I	PU	I	—	—
SIN2	V24	I	PU	I	—	—
SOUT1	AF2	O	—	H	6 mA	30 pF
SOUT2	U23	O	—	H	6 mA	30 pF
SSI_CLK	AD19	O	—	H	6 mA	30 pF
SSI_DI	AE19	STI	PU	I	—	—
SSI_DO	AF19	OD	—	L	6 mA	30 pF
Clocks and Reset						
32KXTAL1	AF26	Osc	—	Active	—	—
32KXTAL2	AE26	Osc	—	Active	—	—
33MXTAL1	AB26	Osc	—	Active	—	—
33MXTAL2	AC26	Osc	—	Active	—	—
CLKTIMER [CLKTEST]	A7	I [O]	PU	I	18 mA	50 pF
LF_PLL1	AF24	Osc	—	Active	—	—
PRGRESET	D20	STI	—	I	—	—
PWRGOOD	C20	STI	—	I	—	—
JTAG						
JTAG_TCK	AD21	I	PU	I	—	—
JTAG_TDI	AF21	I	PU	I	—	—
JTAG_TDO	AF22	O/TS	PU	TS	6 mA	30 pF
JTAG_TMS	AE21	I	PU	I	—	—
JTAG_TRST	AE22	I	PD	I	—	—
AMDebug Interface						
BR/TC	AD24	I	PD	I	—	—
CMDACK	U24	O	—	L	6 mA	30 pF
STOP/TX	AF17	O	—	L	6 mA	30 pF
TRIG/TRACE	AC13	O	—	L	6 mA	30 pF
System Test						
CF_DRAM [WBMSTR2] {CFG2}	W24	O [O] {I}	PD	Latched	6 mA	30 pF

Table 20. Pin List Summary (Continued)

Signal Name [Alternate Function] {Pinstrap}	Pin #	Type	Termination	Reset State	Output Drive	Max Load (pF)
CF_ROM_GPCS [WBMSTR0] {CFG0}	AD20	O [O] {I}	PD	Latched	6 mA	30 pF
DATASTRB [WBMSTR1] {CFG1}	AC24	O [O] {I}	PD	Latched	6 mA	30 pF
Timers						
PITGATE2 [GPCS3]	AC21	I [O]	PU	I	6 mA	30 pF
PITOUT2 {CFG3}	Y24	O {I}	PD	Latched	6 mA	30 pF
TMRIN0 [GPCS5]	AC20	I [O]	PU	I	6 mA	30 pF
TMRIN1 [GPCS4]	AA24	I [O]	PU	I	6 mA	30 pF
TMROUT0 [GPCS7]	AD23	O [O]	—	H	6 mA	30 pF
TMROUT1 [GPCS6]	AC23	O [O]	—	H	6 mA	30 pF
Power and Ground						
BBATSEN	B25	Analog	—	Latched	—	—
GND	L11	Power	—	—	—	—
GND	L12	Power	—	—	—	—
GND	L13	Power	—	—	—	—
GND	L14	Power	—	—	—	—
GND	L15	Power	—	—	—	—
GND	L16	Power	—	—	—	—
GND	M11	Power	—	—	—	—
GND	M12	Power	—	—	—	—
GND	M13	Power	—	—	—	—
GND	M14	Power	—	—	—	—
GND	M15	Power	—	—	—	—
GND	M16	Power	—	—	—	—
GND	N11	Power	—	—	—	—
GND	N12	Power	—	—	—	—
GND	N13	Power	—	—	—	—
GND	N14	Power	—	—	—	—
GND	N15	Power	—	—	—	—
GND	N16	Power	—	—	—	—
GND	P11	Power	—	—	—	—
GND	P12	Power	—	—	—	—
GND	P13	Power	—	—	—	—
GND	P14	Power	—	—	—	—
GND	P15	Power	—	—	—	—
GND	P16	Power	—	—	—	—

Table 20. Pin List Summary (Continued)

Signal Name [Alternate Function] {Pinstrap}	Pin #	Type	Termination	Reset State	Output Drive	Max Load (pF)
GND	R11	Power	—	—	—	—
GND	R12	Power	—	—	—	—
GND	R13	Power	—	—	—	—
GND	R14	Power	—	—	—	—
GND	R15	Power	—	—	—	—
GND	R16	Power	—	—	—	—
GND	T11	Power	—	—	—	—
GND	T12	Power	—	—	—	—
GND	T13	Power	—	—	—	—
GND	T14	Power	—	—	—	—
GND	T15	Power	—	—	—	—
GND	T16	Power	—	—	—	—
GND_ANLG	A25	Power	—	—	—	—
VCC_ANLG	B26	Power	—	—	—	—
VCC_CORE	AC14	Power	—	—	—	—
VCC_CORE	AC15	Power	—	—	—	—
VCC_CORE	AC5	Power	—	—	—	—
VCC_CORE	AC6	Power	—	—	—	—
VCC_CORE	AC7	Power	—	—	—	—
VCC_CORE	D11	Power	—	—	—	—
VCC_CORE	D12	Power	—	—	—	—
VCC_CORE	D18	Power	—	—	—	—
VCC_CORE	D19	Power	—	—	—	—
VCC_CORE	E4	Power	—	—	—	—
VCC_CORE	F4	Power	—	—	—	—
VCC_CORE	G23	Power	—	—	—	—
VCC_CORE	H23	Power	—	—	—	—
VCC_CORE	P23	Power	—	—	—	—
VCC_CORE	R23	Power	—	—	—	—
VCC_CORE	R4	Power	—	—	—	—
VCC_CORE	T4	Power	—	—	—	—
VCC_I/O	AA23	Power	—	—	—	—
VCC_I/O	AA4	Power	—	—	—	—
VCC_I/O	AC10	Power	—	—	—	—
VCC_I/O	AC11	Power	—	—	—	—
VCC_I/O	AC18	Power	—	—	—	—
VCC_I/O	AC19	Power	—	—	—	—
VCC_I/O	D15	Power	—	—	—	—
VCC_I/O	D16	Power	—	—	—	—
VCC_I/O	D21	Power	—	—	—	—
VCC_I/O	D22	Power	—	—	—	—
VCC_I/O	D5	Power	—	—	—	—

Table 20. Pin List Summary (Continued)

Signal Name [Alternate Function] {Pinstrap}	Pin #	Type	Termination	Reset State	Output Drive	Max Load (pF)
VCC_I/O	D6	Power	—	—	—	—
VCC_I/O	D7	Power	—	—	—	—
VCC_I/O	D8	Power	—	—	—	—
VCC_I/O	J4	Power	—	—	—	—
VCC_I/O	K23	Power	—	—	—	—
VCC_I/O	K4	Power	—	—	—	—
VCC_I/O	L23	Power	—	—	—	—
VCC_I/O	L4	Power	—	—	—	—
VCC_I/O	M4	Power	—	—	—	—
VCC_I/O	V23	Power	—	—	—	—
VCC_I/O	W23	Power	—	—	—	—
VCC_I/O	Y23	Power	—	—	—	—
VCC_I/O	Y4	Power	—	—	—	—
VCC_RTC	A26	Power	—	—	—	—
No Connects¹						
NC	A3	—	—	—	—	—
NC	AA26	—	—	—	—	—
NC	AB3	—	—	—	—	—
NC	AB4	—	—	—	—	—
NC	AC12	—	—	—	—	—
NC	AC16	—	—	—	—	—
NC	AC17	—	—	—	—	—
NC	AC25	—	—	—	—	—
NC	AC3	—	—	—	—	—
NC	AD1	—	—	—	—	—
NC	AD12	—	—	—	—	—
NC	AD13	—	—	—	—	—
NC	AD14	—	—	—	—	—
NC	AD15	—	—	—	—	—
NC	AD16	—	—	—	—	—
NC	AD17	—	—	—	—	—
NC	AD18	—	—	—	—	—
NC	AD2	—	—	—	—	—
NC	AD25	—	—	—	—	—
NC	AD26	—	—	—	—	—
NC	AE1	—	—	—	—	—
NC	AE13	—	—	—	—	—
NC	AE14	—	—	—	—	—
NC	AE15	—	—	—	—	—
NC	AE16	—	—	—	—	—
NC	AE17	—	—	—	—	—
NC	AE18	—	—	—	—	—

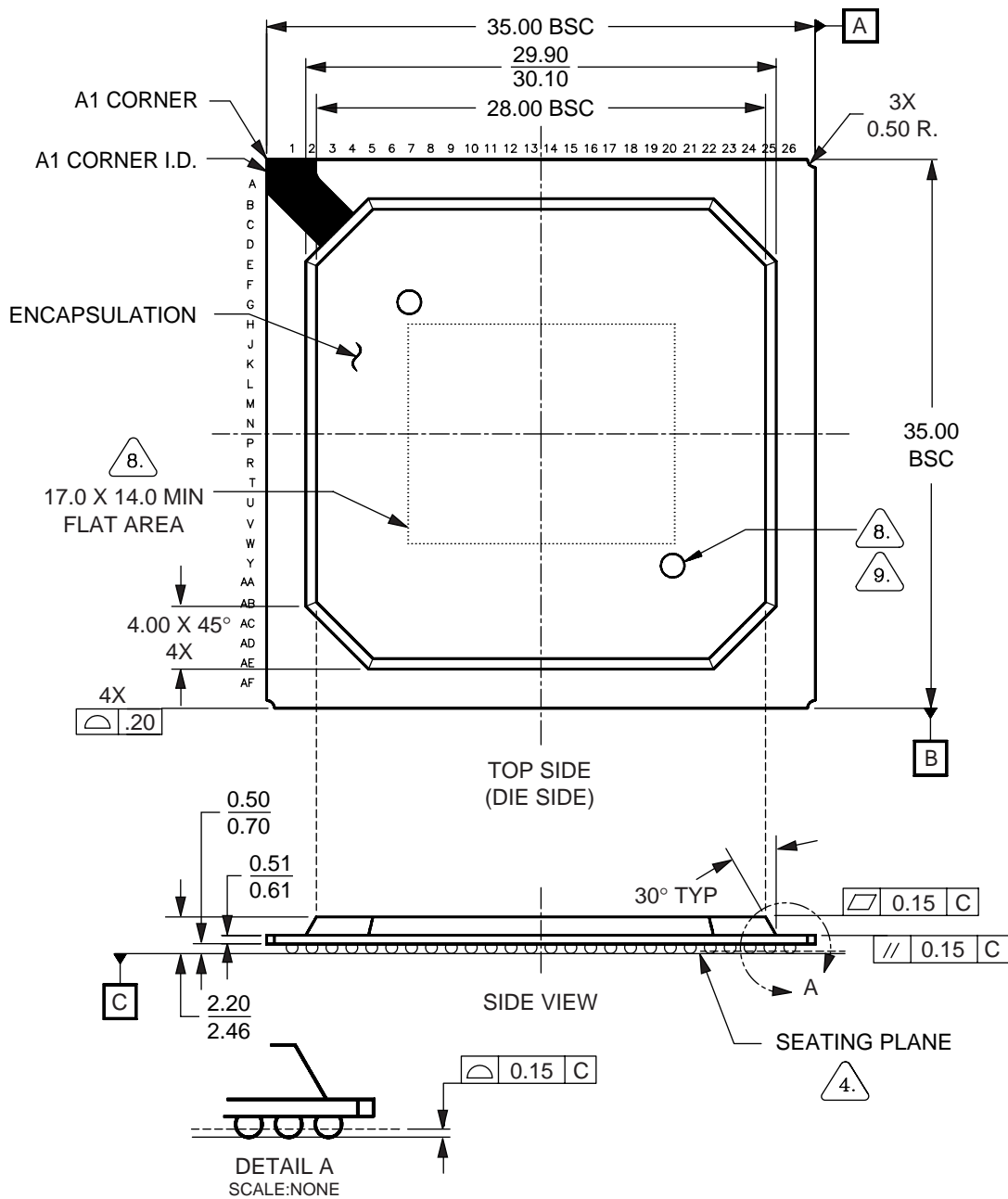
Table 20. Pin List Summary (Continued)

Signal Name [Alternate Function] {Pinstrip}	Pin #	Type	Termination	Reset State	Output Drive	Max Load (pF)
NC	AE20	—	—	—	—	—
NC	AE24	—	—	—	—	—
NC	AE25	—	—	—	—	—
NC	AF1	—	—	—	—	—
NC	AF13	—	—	—	—	—
NC	AF14	—	—	—	—	—
NC	AF15	—	—	—	—	—
NC	AF16	—	—	—	—	—
NC	AF18	—	—	—	—	—
NC	AF20	—	—	—	—	—
NC	AF23	—	—	—	—	—
NC	AF25	—	—	—	—	—
NC	B3	—	—	—	—	—
NC	B4	—	—	—	—	—
NC	B6	—	—	—	—	—
NC	C22	—	—	—	—	—
NC	C5	—	—	—	—	—
NC	C6	—	—	—	—	—
NC	D23	—	—	—	—	—
NC	E23	—	—	—	—	—
NC	E3	—	—	—	—	—
NC	T23	—	—	—	—	—
NC	T24	—	—	—	—	—

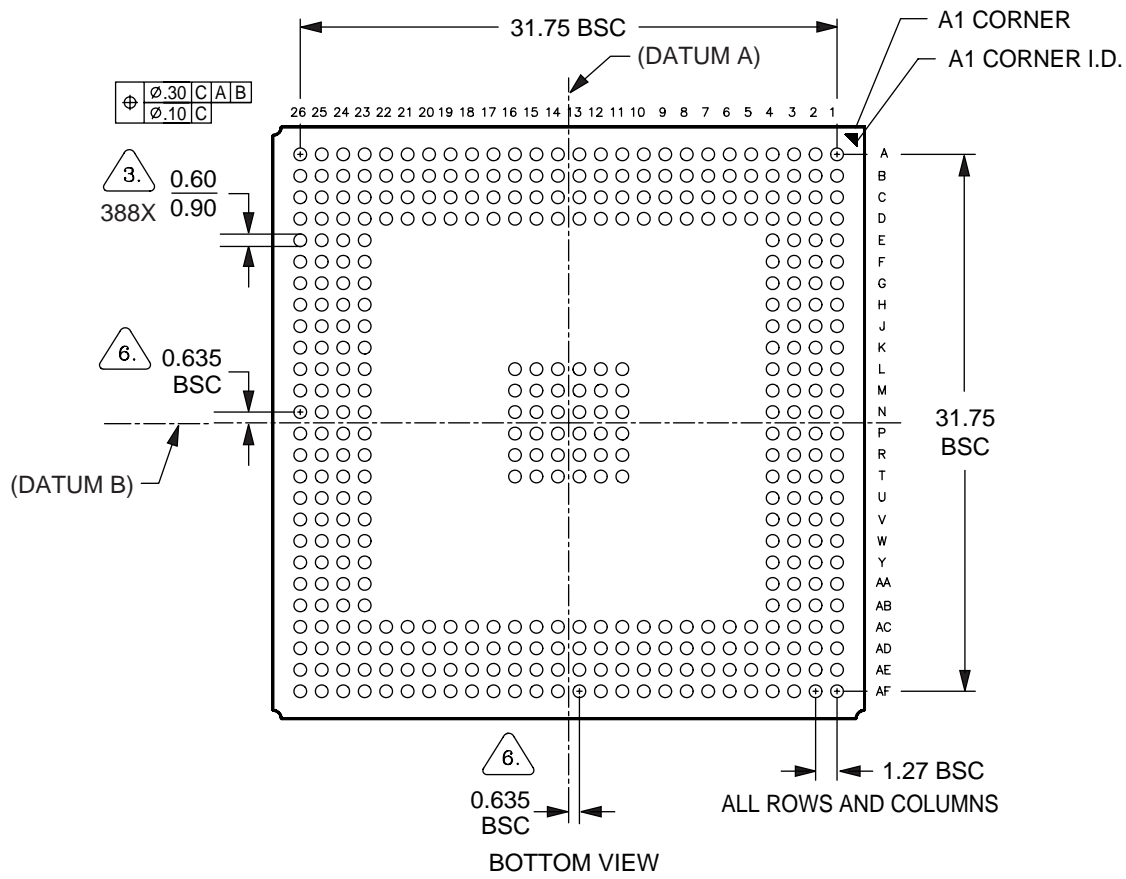
Notes:

1. The NCs are true "no connects" and should be left disconnected.

APPENDIX B
PHYSICAL DIMENSIONS
388-Pin Plastic BGA (PBGA) Package
Top View



Bottom View



16-038-BGA388-2
 ET118
 10.26.98 lv

Circuit Board Layout Considerations

There are two basic ways to set up a BGA ball pad, solder-mask defined and solder-pad defined.

- Solder-mask defined is when the solder mask opening is smaller than the copper pad, so the solder surface is defined by the solder mask rather than the copper pad.
- Solder-pad defined is when the copper pad is smaller than the solder mask, so the solder surface is defined by the copper pad.

A problem can occur when you mix these two methods. For example, if the chip is solder-pad defined and the

board is pad-defined, then a problem can occur where there is more surface area on the board making contact than on the part itself. When the part heats and cools, a different amount of stress is placed on the chip than on the board (because there is more surface area soldered on the board), and the chip can warp. The pad definition on the board should match the chip.

The ÉlanSC520 microcontroller is solder-mask defined, so the circuit board design should be solder-mask defined with a solder-mask opening of 0.60 mm over a 0.80-mm pad as shown in Figure 41.

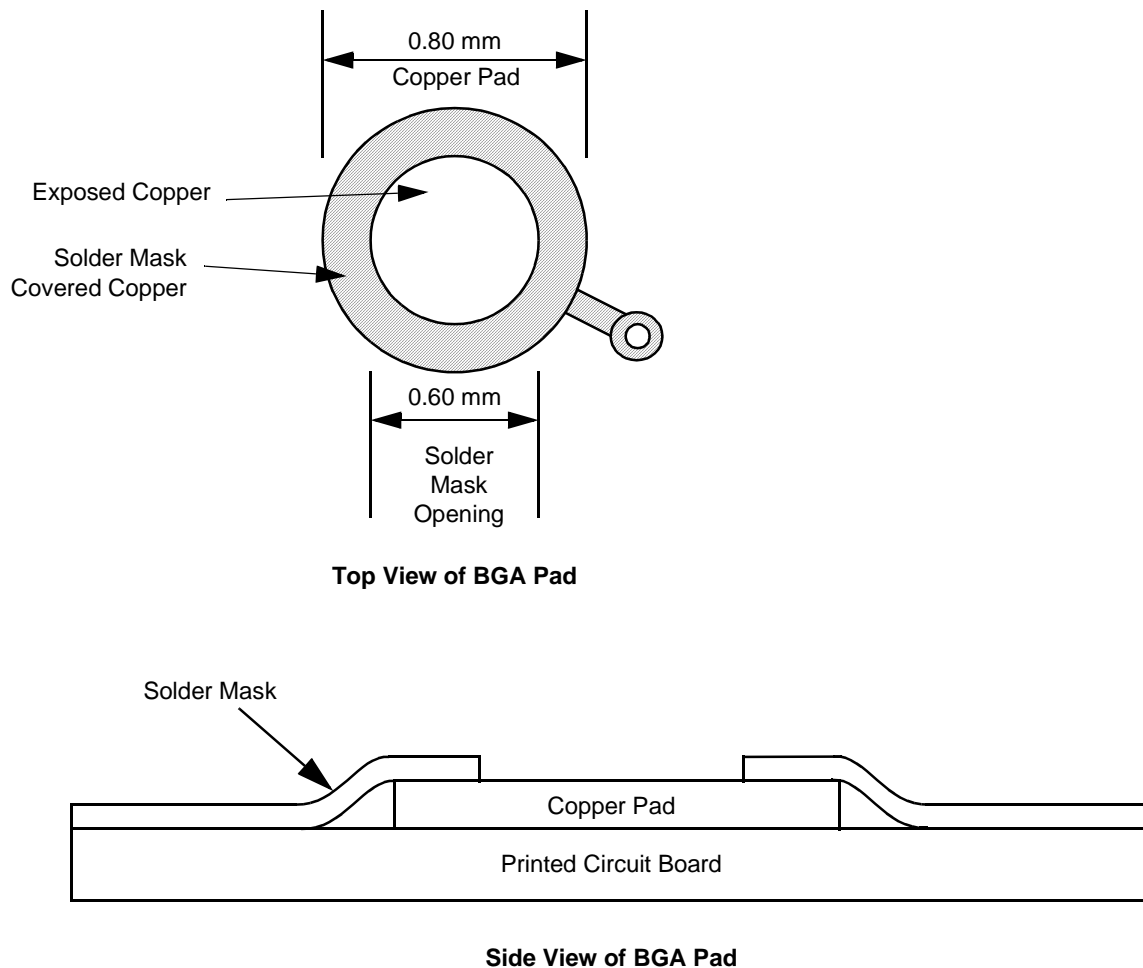


Figure 41. BGA Ball Pad Layout

APPENDIX C CUSTOMER SUPPORT

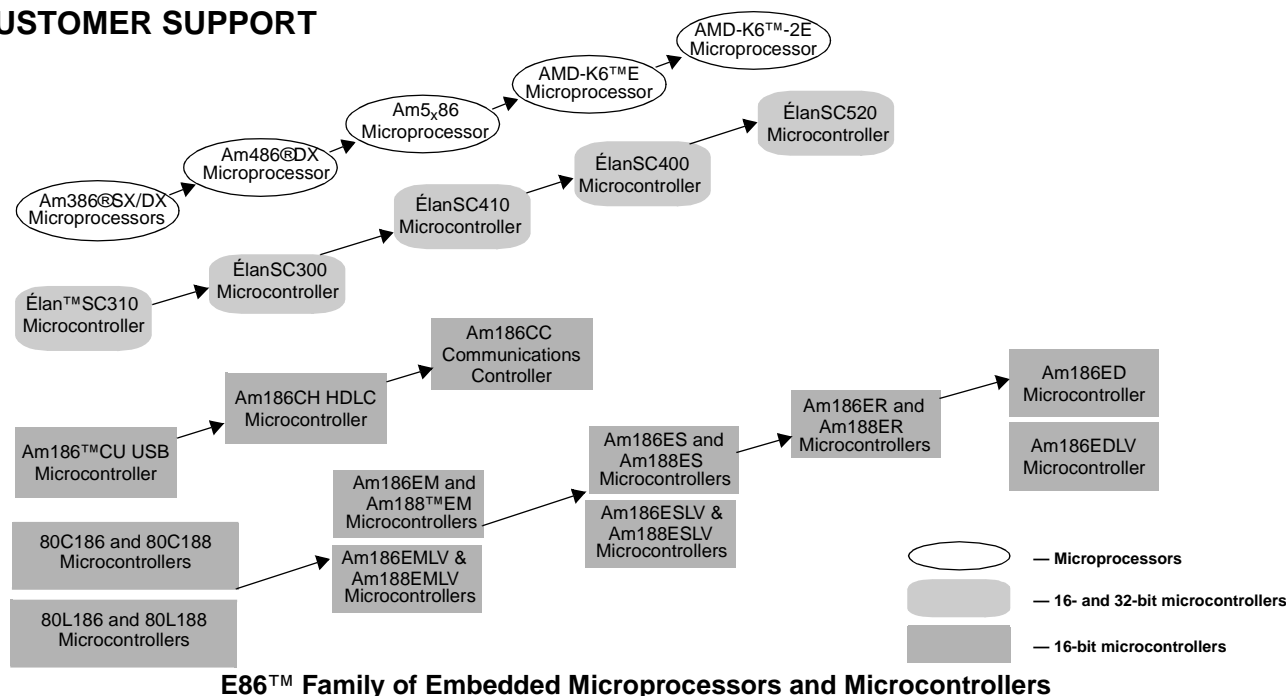


Table 21. Related AMD Products—E86™ Family Devices

Device ¹	Description
80C186/80C188	16-bit microcontroller
80L186/80L188	Low-voltage, 16-bit microcontroller
Am186™EM/Am188™EM	High-performance, 16-bit embedded microcontroller
Am186EMLV/Am188EMLV	High-performance, 16-bit embedded microcontroller
Am186ES/Am188ES	High-performance, 16-bit embedded microcontroller
Am186ESLV/Am188ESLV	High-performance, 16-bit embedded microcontroller
Am186ED	High-performance, 80C186- and 80C188-compatible, 16-bit embedded microcontroller with 8- or 16-bit external data bus
Am186EDLV	High-performance, 80C186- and 80C188-compatible, low-voltage, 16-bit embedded microcontroller with 8- or 16-bit external data bus
Am186ER/Am188ER	High-performance, low-voltage, 16-bit embedded microcontroller with 32 Kbyte of internal RAM
Am186CC	High-performance, 16-bit embedded communications controller
Am186CH	High-performance, 16-bit embedded HDLC microcontroller
Am186CU	High-performance, 16-bit embedded USB microcontroller
ÉlanSC300	High-performance, highly integrated, low-voltage, 32-bit embedded microcontroller
ÉlanSC310	High-performance, single-chip, 32-bit embedded PC/AT-compatible microcontroller
ÉlanSC400	High-performance, single-chip, low-power, PC/AT-compatible microcontroller
ÉlanSC410	High-performance, single-chip, PC/AT-compatible microcontroller
ÉlanSC520	High-performance, single-chip, 32-bit embedded microcontroller
Am386@DX	High-performance, 32-bit embedded microprocessor with 32-bit external data bus
Am386@SX	High-performance, 32-bit embedded microprocessor with 16-bit external data bus
Am486@DX	High-performance, 32-bit embedded microprocessor with 32-bit external data bus
Am _x 586@	High-performance, 32-bit embedded microprocessor with 32-bit external data bus
AMD-K6™E	High-performance, 32-bit embedded microprocessor with 64-bit external data bus
AMD-K6™-2E	High-performance, 32-bit embedded microprocessor with 64-bit external data bus and 3DNow!™ technology

Notes:

1. 186 = 16-bit microcontroller and 80C186-compatible (except where noted otherwise); 188 = 16-bit microcontroller with 8-bit external data bus and 80C188-compatible (except where noted otherwise); LV = low voltage

Related Documents

The following documents contain additional information that will be useful in designing an embedded application based on the ÉlanSC520 microcontroller.

- *Élan™SC520 Microcontroller Register Set Manual*, order #22005, fully describes all the registers required to program the microcontroller.
- *Élan™SC520 Microcontroller User's Manual*, order #22004, provides a functional description of the microcontroller for both hardware and software designers.
- The Am486® *Microprocessor Software User's Manual*, order #18497, includes the complete instruction set for the integrated Am5_x86 CPU.

Other information of interest:

- *Am5_x86® Microprocessor Family Data Sheet*, order #19751
- *Am486®DX/DX2 Microprocessor Hardware Reference Manual*, order #17965
- *E86 Family Products and Development Tools CD*, order #21058, provides a single-source multimedia tool for customer evaluation of AMD products, as well as FusionE86 partner tools and technologies that support the E86™ family. Technical documentation is included on the CD in PDF format.

To order literature, contact the nearest AMD sales office or call the literature center at one of the numbers listed on the back cover of this manual. In addition, all these documents are available in PDF form on the AMD web site. To access the AMD home page, go to www.amd.com. Then follow the Embedded Processor link for information about E86 microcontrollers.

Additional Information

The following non-AMD documents and sources provide additional information that may be of interest to ÉlanSC520 microcontroller users:

- *PCI Local Bus Specification*, December 18, 1998, PCI Special Interest Group, 800-433-5177 (US), 503-693-6232 (International), www.pcisig.com.
- *IEEE Std 1149.1-1990 Standard Test Access Port and Boundary-Scan Architecture*, (order #SH16626-NYF), Institute of Electrical and Electronic Engineers, Inc., 800-678-4333, www.ieee.org.
- *PCI System Architecture*, Mindshare, Inc., Reading, MA: Addison-Wesley, 1995, ISBN 0-201-40993-3.
- *ISA System Architecture*, Mindshare, Inc., Reading, MA: Addison-Wesley, 1995, ISBN 0-201-40996-8.

- *80486 System Architecture*, Mindshare, Inc., Reading, MA: Addison-Wesley, 1995, ISBN 0-201-40994-1
- *The Indispensable PC Hardware Book*, Hans-Peter Messmer, Wokingham, England: Addison-Wesley, 1995, ISBN 0-201-87697-3.

Customer Development Platform

The ÉlanSC520 microcontroller customer development platform (CDP) is provided as a test and development platform to illustrate the capabilities of the ÉlanSC520 microcontroller using the PCI bus and an on-board 10/100 Mbit/s Ethernet connection. In addition, the CDP serves as a platform for embedded product development using the ÉlanSC520 microcontroller, Am79C972 Ethernet controller, and the PCI bus.

The ÉlanSC520 microcontroller CDP enables developers to benchmark their embedded, network-ready applications, understand the functionality of the microcontroller, and to know how to wire an ÉlanSC520 microcontroller system using off-the-shelf components. The CDP board also demonstrates how the embedded PCI bus controller works well with other PCI-ready peripherals.

Third-Party Development Support Products

The FusionE86 Program of Partnerships for Application Solutions provides the customer with an array of products designed to meet critical time-to-market needs. Products and solutions available from the AMD FusionE86 partners include protocol stacks, emulators, hardware and software debuggers, board-level products, and software development tools, among others.

In addition, mature development tools and applications for the x86 platform are widely available in the general marketplace.

Customer Service

The AMD customer service network includes U.S. offices, international offices, and a customer training center. Expert technical assistance is available from the AMD worldwide staff of field application engineers and factory support staff to answer E86 and Comm86 family hardware and software development questions.

Hotline and World Wide Web Support

For answers to technical questions, AMD provides e-mail support as well as a toll-free number for direct access to our corporate applications hotline.

The AMD World Wide Web home page provides the latest product information, including technical information and data on upcoming product releases. In addition, EPD CodeKit software on the Web site provides tested source code example applications.

Corporate Applications Hotline

(800) 222-9323 Toll-free for U.S. and Canada

44-(0) 1276-803-299 U.K. and Europe hotline

Additional contact information is listed on the back of this datasheet. For technical support questions on all E86 and Comm86 products, send e-mail to **epd.support@amd.com**.

World Wide Web Home Page

To access the AMD home page go to: **www.amd.com**. Then follow the **Embedded Processors** link for information about E86 family and Comm86™ products.

Questions, requests, and input concerning AMD's WWW pages can be sent via e-mail to **web.feedback@amd.com**.

Documentation and Literature

Free information such as data books, user's manuals, data sheets, application notes, the *E86™ Family Products and Development Tools CD*, order #21058, and other literature is available with a simple phone call. Internationally, contact your local AMD sales office for product literature, or go to **www.amd.com/support/literature.html**. Additional contact information is listed on the back of this data sheet.

Literature Ordering

(800) 222-9323 Toll-free for U.S. and Canada

INDEX

A

a20 gate, 32
 address mapping, 31
 AMDebug technology
 description, 30
 parallel, 30
 pin summary, A-13
 serial, 30
 signal descriptions, 23
 applications
 description, 33
 digital set top box, 36
 Smart Residential Gateway, 34
 thin client, 35
 architecture
 overview, 28
 x86 instruction set, 20

B

block diagram, 29
 bootstraps
 See configuration.

C

capacitance
 crystal, 51
 derating curves, 51
 non-PCI interface, 51
 PCI interface, 51
 chip select
 GP bus signal description, 24
 circuit board layout, B-3
 clock
 32.768-kHz crystal selection, 41
 33.333-MHz crystal speed, 43
 33-MHz crystal selection, 42
 backup battery, 46
 circuit diagrams, 46
 block diagram of clock source, 39
 bypassing internal oscillators, 44
 circuit with backup battery, 47
 circuit without backup battery, 47
 control, 38
 crystal selection, 41

 crystal speeds, 38
 generation and control, 38
 internal, 39
 multiplexed signal trade-offs, A-3
 not using backup battery, 46
 overview, 31
 pin loading, 40
 pin summary, A-13
 real-time clock (RTC) voltage monitor, 45
 RTC voltage monitor block diagram, 45
 RTC voltage monitor specifications, 46
 SDRAM clock timing, 68
 signal descriptions, 22
 specifications, 40
 system clock block diagram, 38
 configuration
 multiplexed signal trade-offs, A-3
 signal descriptions, 26
 CPU
 x86 instruction set, 30
 crystal
 32.768-kHz crystal circuit, 41
 32.768-kHz crystal selection, 41
 33.333-MHz crystal speed, 43
 33-MHz crystal selection, 42
 3rd overtone crystal circuit implementation, 42
 capacitance, 51
 crystal speeds, 38
 selecting, 41
 customer support
 customer development platform, C-2
 documentation and literature, C-3
 hotline and web, C-3
 literature ordering, C-3
 ordering the microcontroller, 2
 related AMD products/devices, C-1
 related documents/information, C-2
 third-party development support products, C-2
 web home page, C-3

D

DC characteristics, 50
 operating ranges, 48
 voltage for non-PCI interface pins, 49, 51
 debugging
 See also AMDebug technology.
 features and system test, 32

JTAG boundary scan test interface, 32

JTAG signal descriptions, 23

derating curves, 51

DMA

GP bus DMA read cycle, 71

GP bus DMA write cycle, 72

integrated controller, 31

documentation

See customer support.

DRAM

See SDRAM.

E

Élan™SC520 microcontroller

application examples, 33

architectural overview, 28

block diagram, 29

capacitance, 51

circuit board layout, B-3

DC characteristics, 50

distinctive characteristics, 1

documentation, C-2

general description, 1

logic diagram by default pin function, 7

logic diagram by interface, 6

maximum ratings, 48

operating ranges, 48

ordering information, 2

PBGA package, B-1

peripherals (overview), 31

physical dimensions, B-1

pin connection diagram, 8

pin designations, 10

pin tables (Appendix A), A-1

power characteristics, 56

programmable address region (PAR) registers, 31

related AMD E86 family devices, C-1

switching characteristics and waveforms, 58

thermal characteristics, 56

voltage levels, 48–49

F

Flash

addressing mapping, 31

controller description, 30

multiplexed signal trade-offs, A-2

pin summary, A-8

signal descriptions, 18

write cycles, 65

G

GP bus

chip-select signal descriptions, 24

description, 31

DMA read cycle, 71

DMA write cycle, 72

multiplexed signal trade-offs, A-2

pin summary, A-10

signal descriptions, 19

timing, 69

ground

pin summary, A-14

H

hotline and world wide web support, C-3

I

I/O

programmable I/O (PIO) signal descriptions, 25

interrupts

programmable interrupt controller (PIC), 31

J

JTAG

boundary scan test interface, 32

pin summary, A-13

signal descriptions, 23

timing, 74

L

literature

See customer support.

logic diagram

by default pin function, 7

by interface, 6

M

maximum ratings, 48

multiplexed functions

signal trade-offs, A-2

N

no connect (NC)

pin summary, A-16

O

operating ranges, 48
ordering information, 2

P

package
 PBGA physical dimensions, B-1

PAR
 programmable address region registers, 31

PBGA package
 physical dimensions, B-1
 thermal characteristics, 56

PCI bus
 AC timing, 58
 capacitance, 51
 description, 30
 pin summary, A-8
 signal descriptions, 18
 switching test waveforms, 58
 timing, 65
 voltage, 49

peripherals
 integrated, description of, 31

physical dimensions, B-1

PIC (programmable interrupt controller), 31

pins
 See also signals.
 clock pin loading, 40
 pin and signal tables, 10
 pin connection diagram, 8
 pin designations, 10
 pin designations by pin name, 13
 pin designations sorted by pin number, 11
 pin tables (Appendix A), A-1
 Multiplexed Signal Trade-Offs table, A-2
 Pin List Summary table, A-7
 PIOs Sorted by PIO Number table, A-4
 PIOs Sorted by Signal Name table, A-5

PIO
 See programmable I/O (PIO).

power
 characteristics, 56
 pin summary, A-14
 power dissipation, 56
 signal descriptions, 27
 supply current, 56
 voltage levels, 48

power-on reset
 timing, 59

programmable I/O (PIO)
 multiplexed signal trade-offs, A-3
 signal descriptions, 25

sorted by pin number, A-4
sorted by signal name, A-5

R

real-time clock (RTC)
 backup battery, 46
 circuit with backup battery, 47
 circuit without backup battery, 47
 not using backup battery, 46
 voltage monitor, 45
 voltage monitor block diagram, 45
 voltage monitor specifications, 46

reset
 pin summary, A-13
 power-on reset timing, 59
 signal descriptions, 22
 soft CPU reset, 32
 timing with power applied, 61

ROM
 address mapping, 31
 controller description, 30
 multiplexed signal trade-offs, A-2
 pin summary, A-8
 signal descriptions, 18
 timing, 63

RTC
 See real-time clock (RTC).

S

SDRAM
 address mapping, 31
 clock timing, 68
 controller description, 30
 error correction code (ECC), 30
 pin summary, A-7
 signal descriptions, 17
 timing, 66

serial ports
 multiplexed signal trade-offs, A-2
 pin summary, A-12
 signal descriptions, 21

signals
 See also pins.
 multiplexed signal trade-offs table, A-2
 signal description table, 17
 signal descriptions, 16

software timer, 32

SSI
 See synchronous serial interface (SSI).

switching characteristics and waveforms
 GP bus, 69
 JTAG, 74
 non-PCI bus interface pins, 58

over commercial/industrial operating ranges, 59
PCI bus, 65
PCI bus interface pins, 58
power-on reset, 59
reset with power applied, 61
ROM, 63
SDRAM, 66
SSI, 73

synchronous serial interface (SSI)
description, 32
timing, 73

system test
multiplexed signal trade-offs, A-3
pin summary, A-13
signal descriptions, 23

T

technical support
See customer support.

testing
JTAG boundary scan test interface, 32
system test and debug features, 32
system test multiplexed signal trade-offs, A-3
system test pin summary, A-13
system test signal descriptions, 23

thermal characteristics, 56
equations, 57

timers
description, 32
multiplexed signal trade-offs, A-3
pin summary, A-14
signal descriptions, 25

timing
See switching characteristics and waveforms.

U

UARTs
description, 32

V

voltage
for non-PCI interface pins, 49
for PCI interface pins, 49
maximum ratings, 48
operating ranges, 48

W

watchdog timer, 32
www
home page, C-3
support, C-3

Trademarks

AMD, the AMD logo, and combinations thereof, AMD Athlon, Élan, AMDDebug, PCnet, E86, Am186, Am188 and Comm86 are trademarks; Am5_x86, Am386, Am486 and AMD-K6 are registered trademarks and FusionE86 is a servicemark of Advanced Micro Devices, Inc.

Microsoft and Windows are registered trademarks of Microsoft Corporation.

Other product names used in this publication are for identification purposes only and may be trademarks of their respective companies.

Disclaimer

The contents of this document are provided in connection with Advanced Micro Devices, Inc. ("AMD") products. AMD makes no representations or warranties with respect to the accuracy or completeness of the contents of this publication and reserves the right to make changes to specifications and product descriptions at any time without notice. No license, whether express, implied, arising by estoppel or otherwise, to any intellectual property rights is granted by this publication. Except as set forth in AMD's Standard Terms and Conditions of Sale, AMD assumes no liability whatsoever, and disclaims any express or implied warranty, relating to its products including, but not limited to, the implied warranty of merchantability, fitness for a particular purpose, or infringement of any intellectual property right.

AMD's products are not designed, intended, authorized or warranted for use as components in systems intended for surgical implant into the body, or in other applications intended to support or sustain life, or in any other application in which the failure of AMD's product could create a situation where personal injury, death, or severe property or environmental damage may occur. AMD reserves the right to discontinue or make changes to its products at any time without notice.

©2001 Advanced Micro Devices, Inc.
All rights reserved.

ÉlanSC520 Microcontroller

Datasheet

This document amends the *ÉlanSC520 Microcontroller Datasheet*, order #22003B.

DOCUMENTATION DEFECTS AND CORRECTIONS

The following corrections apply:

- On page 2 of the datasheet, add a new temperature range:

I = Industrial ($T_A = -40^{\circ}\text{C}$ to $+85^{\circ}\text{C}$)

where: T_A = ambient temperature

Also on page 2, add a new row to the Valid Combinations table. The complete revised table is reproduced here:

Valid Combinations	
ÉlanSC520-100 ÉlanSC520-133	AC
ÉlanSC520-100	AI

- On page 48, in the heading “Operating Ranges At Commercial Temperatures,” change “Commercial” to “Commercial and Industrial.”

Also on page 48, add a new operating range parameter, T_{AMBIENT} , for industrial ambient temperature. Minimum value: -40°C . Maximum value: $+85^{\circ}\text{C}$

- On page 50, in the heading “DC Characteristics over Commercial Operating Ranges,” change “Commercial” to “Commercial and Industrial.”
- On page 56, in the section titled “Thermal Characteristics,” change “The ÉlanSC520 microcontroller is...” to “ÉlanSC520 microcontroller commercial temperature devices are...” in the first sentence.
- On page 57, replace Table 15 with the updated version reproduced below. This new table adds a new row for $T_{\text{CASE}} = 100^{\circ}\text{C}$.
- On page 59, in the heading “Switching Characteristics over Commercial Operating Ranges,” change “Commercial” to “Commercial and Industrial.”

Table 15. Maximum T_A for Plastic BGA Package with 6-Layer Board¹

T_{CASE}	CPU Clock Rate	Airflow (Linear Feet Per Minute)				
		0	200	400	600	800
85°C	133 MHz	67.3°C	69.8°C	71.3°C	72.2°C	72.7°C
	100 MHz	70.1°C	72.2°C	73.5°C	74.3°C	74.7°C
100°C ²	100 MHz	85.1°C	87.2°C	88.5°C	89.3°C	89.7°C

Notes:

- The board type is described in the JEDEC standards document entitled Thermal Test Chip Guide-line (Wire Bond Type Chip) at www.jedec.org. On the home page click on the link Free Standards and Docs, and then click on the document link JESD51-4 under JEDEC PUBLICATIONS.
- $T_{\text{CASE}} = 100^{\circ}\text{C}$ data is for industrial temperature devices only.

Trademarks

AMD, the AMD logo, and combinations thereof, and Élan are trademarks of Advanced Micro Devices, Inc.

Other product names used in this publication are for identification purposes only and may be trademarks of their respective companies.

Disclaimer

The contents of this document are provided in connection with Advanced Micro Devices, Inc. (“AMD”) products. AMD makes no representations or warranties with respect to the accuracy or completeness of the contents of this publication and reserves the right to make changes to specifications and product descriptions at any time without notice. No license, whether express, implied, arising by estoppel or otherwise, to any intellectual property rights is granted by this publication. Except as set forth in AMD's Standard Terms and Conditions of Sale, AMD assumes no liability whatsoever, and disclaims any express or implied warranty, relating to its products including, but not limited to, the implied warranty of merchantability, fitness for a particular purpose, or infringement of any intellectual property right.

AMD's products are not designed, intended, authorized or warranted for use as components in systems intended for surgical implant into the body, or in other applications intended to support or sustain life, or in any other application in which the failure of AMD's product could create a situation where personal injury, death, or severe property or environmental damage may occur. AMD reserves the right to discontinue or make changes to its products at any time without notice.