
Features

- Single Voltage, Range 3V to 3.6V Supply
- 3-volt Only Read and Write Operation
- Software Protected Programming
- Fast Read Access Time – 150 ns
- Low Power Dissipation
 - 15 mA Active Current
 - 40 μ A CMOS Standby Current
- Sector Program Operation
 - Single Cycle Reprogram (Erase and Program)
 - 2048 Sectors (256 Bytes/Sector)
 - Internal Address and Data Latches for 256 Bytes
- Two 16K Bytes Boot Blocks with Lockout
- Fast Sector Program Cycle Time – 20 ms Max
- Internal Program Control and Timer
- $\overline{\text{DATA}}$ Polling for End of Program Detection
- Typical Endurance > 10,000 Cycles
- CMOS and TTL Compatible Inputs and Outputs
- Commercial and Industrial Temperature Ranges
- Green (Pb/Halide-free) Packaging Option

1. Description

The AT29LV040A is a 3-volt only in-system Flash Programmable and Erasable Read Only Memory (PEROM). Its 4 megabits of memory is organized as 524,288 words by 8 bits. Manufactured with Atmel's advanced nonvolatile CMOS EEPROM technology, the device offers access times to 150 ns, and a low 54 mW power dissipation. When the device is deselected, the CMOS standby current is less than 40 μ A. The device endurance is such that any sector can typically be written to in excess of 10,000 times. The programming algorithm is compatible with other devices in Atmel's 3-volt only Flash memories.

To allow for simple in-system reprogrammability, the AT29LV040A does not require high input voltages for programming. Three-volt-only commands determine the operation of the device. Reading data out of the device is similar to reading from an EPROM. Reprogramming the AT29LV040A is performed on a sector basis; 256 bytes of data are loaded into the device and then simultaneously programmed.

During a reprogram cycle, the address locations and 256 bytes of data are captured at microprocessor speed and internally latched, freeing the address and data bus for other operations. Following the initiation of a program cycle, the device will automatically erase the sector and then program the latched data using an internal control timer. The end of a program cycle can be detected by $\overline{\text{DATA}}$ polling of I/O7. Once the end of a program cycle has been detected, a new access for a read or program can begin.



**4-megabit
(512K x 8)
3-volt Only
256-byte Sector
Flash Memory**

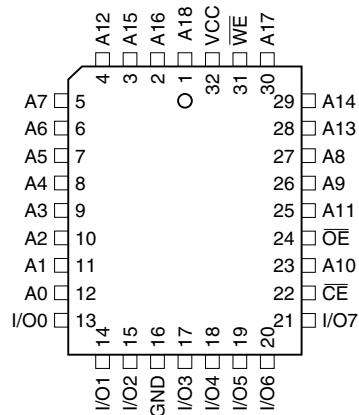
AT29LV040A



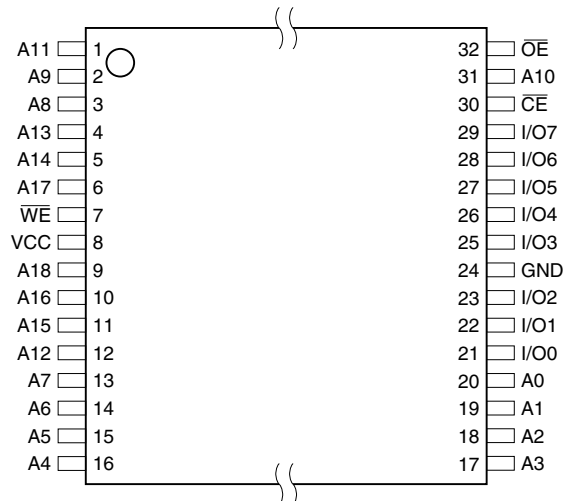
2. Pin Configurations

| Pin Name | Function |
|-----------------|---------------------|
| A0 - A18 | Addresses |
| \overline{CE} | Chip Enable |
| \overline{OE} | Output Enable |
| \overline{WE} | Write Enable |
| I/O0 - I/O7 | Data Inputs/Outputs |
| NC | No Connect |

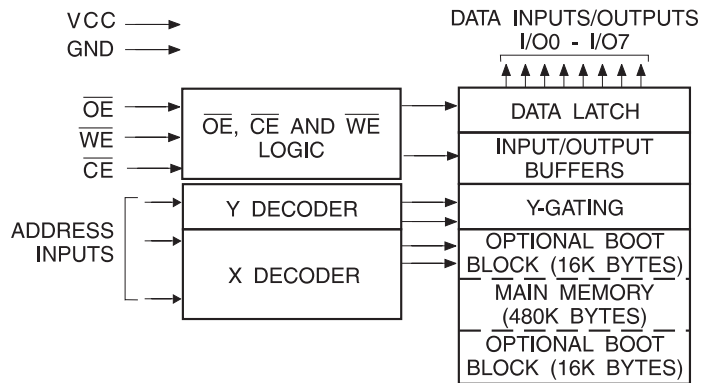
2.1 32-lead PLCC Top View



2.2 32-lead TSOP (Type 1) Top View



3. Block Diagram



4. Device Operation

4.1 Read

The AT29LV040A is accessed like an EPROM. When \overline{CE} and \overline{OE} are low and \overline{WE} is high, the data stored at the memory location determined by the address pins is asserted on the outputs. The outputs are put in the high impedance state whenever \overline{CE} or \overline{OE} is high. This dual-line control gives designers flexibility in preventing bus contention.

4.2 Software Data Protection Programming

The AT29LV040A has 2048 individual sectors, each 256 bytes. Using the software data protection feature, byte loads are used to enter the 256 bytes of a sector to be programmed. The AT29LV040A can only be programmed or reprogrammed using the software data protection feature. The device is programmed on a sector basis. If a byte of data within the sector is to be changed, data for the entire 256-byte sector must be loaded into the device. The AT29LV040A automatically does a sector erase prior to loading the data into the sector. An erase command is not required.

Software data protection protects the device from inadvertent programming. A series of three program commands to specific addresses with specific data must be presented to the device before programming may occur. The same three program commands must begin each program operation. All software program commands must obey the sector program timing specifications. Power transitions will not reset the software data protection feature, however the software feature will guard against inadvertent program cycles during power transitions.

Any attempt to write to the device without the 3-byte command sequence will start the internal write timers. No data will be written to the device; however, for the duration of t_{WC} , a read operation will effectively be a polling operation.

After the software data protection's 3-byte command code is given, a byte load is performed by applying a low pulse on the \overline{WE} or \overline{CE} input with \overline{CE} or \overline{WE} low (respectively) and \overline{OE} high. The address is latched on the falling edge of \overline{CE} or \overline{WE} , whichever occurs last. The data is latched by the first rising edge of \overline{CE} or \overline{WE} .

The 256 bytes of data must be loaded into each sector. Any byte that is not loaded during the programming of its sector will be erased to read FFH. Once the bytes of a sector are loaded into the device, they are simultaneously programmed during the internal programming period. After



the first data byte has been loaded into the device, successive bytes are entered in the same manner. Each new byte to be programmed must have its high-to-low transition on \overline{WE} (or \overline{CE}) within 150 μ s of the low-to-high transition of \overline{WE} (or \overline{CE}) of the preceding byte. If a high-to-low transition is not detected within 150 μ s of the last low-to-high transition, the load period will end and the internal programming period will start. A8 to A18 specify the sector address. The sector address must be valid during each high-to-low transition of \overline{WE} (or \overline{CE}). A0 to A7 specify the byte address within the sector. The bytes may be loaded in any order; sequential loading is not required. Once a programming operation has been initiated, and for the duration of t_{WC} , a read operation will effectively be a polling operation.

4.3 Hardware Data Protection

Hardware features protect against inadvertent programs to the AT29LV040A in the following ways: (a) V_{CC} sense – if V_{CC} is below 1.8V (typical), the program function is inhibited; (b) V_{CC} power on delay – once V_{CC} has reached the V_{CC} sense level, the device will automatically time out 10 ms (typical) before programming; (c) Program inhibit – holding any one of \overline{OE} low, \overline{CE} high or \overline{WE} high inhibits program cycles; and (d) Noise filter – pulses of less than 15 ns (typical) on the \overline{WE} or \overline{CE} inputs will not initiate a program cycle.

4.4 Input Levels

While operating with a 3.3V \pm 10% power supply, the address inputs and control inputs (\overline{OE} , \overline{CE} and \overline{WE}) may be driven from 0 to 5.5V without adversely affecting the operation of the device. The I/O lines can only be driven from 0 to 3.6V.

4.5 Product Identification

The product identification mode identifies the device and manufacturer as Atmel. It may be accessed by hardware or software operation. The hardware operation mode can be used by an external programmer to identify the correct programming algorithm for the Atmel product. In addition, users may wish to use the software product identification mode to identify the part (i.e., using the device code), and have the system software use the appropriate sector size for program operations. In this manner, the user can have a common board design for 256K to 4-megabit densities and, with each density's sector size in a memory map, have the system software apply the appropriate sector size.

For details, see Operating Modes (for hardware operation) or Software Product Identification. The manufacturer and device code is the same for both modes.

4.6 \overline{DATA} Polling

The AT29LV040A features \overline{DATA} polling to indicate the end of a program cycle. During a program cycle an attempted read of the last byte loaded will result in the complement of the loaded data on I/O7. Once the program cycle has been completed, true data is valid on all outputs and the next cycle may begin. \overline{DATA} polling may begin at any time during the program cycle.

4.7 Toggle Bit

In addition to \overline{DATA} polling the AT29LV040A provides another method for determining the end of a program or erase cycle. During a program or erase operation, successive attempts to read data from the device will result in I/O6 toggling between one and zero. Once the program cycle has completed, I/O6 will stop toggling and valid data will be read. Examining the toggle bit may begin at any time during a program cycle.

4.8 Optional Chip Erase Mode

The entire device can be erased by using a 6-byte software code. Please see Software Chip Erase application note for details.

4.9 Boot Block Programming Lockout

The AT29LV040A has two designated memory blocks that have a programming lockout feature. This feature prevents programming of data in the designated block once the feature has been enabled. Each of these blocks consists of 16K bytes; the programming lockout feature can be set independently for either block. While the lockout feature does not have to be activated, it can be activated for either or both blocks.

These two 16K memory sections are referred to as *boot blocks*. Secure code which will bring up a system can be contained in a boot block. The AT29LV040A blocks are located in the first 16K bytes of memory and the last 16K bytes of memory. The boot block programming lockout feature can therefore support systems that boot from the lower addresses of memory or the higher addresses. Once the programming lockout feature has been activated, the data in that block can no longer be erased or programmed; data in other memory locations can still be changed through the regular programming methods. To activate the lockout feature, a series of seven program commands to specific addresses with specific data must be performed. Please see Boot Block Lockout Feature Enable Algorithm.

If the boot block lockout feature has been activated on either block, the chip erase function will be disabled.

4.9.1 Boot Block Lockout Detection

A software method is available to determine whether programming of either boot block section is locked out. See Software Product Identification Entry and Exit sections. When the device is in the software product identification mode, a read from location 00002H will show if programming the lower address boot block is locked out while reading location.

7FFF2H will do so for the upper boot block. If the data is FE, the corresponding block can be programmed; if the data is FF, the program lockout feature has been activated and the corresponding block cannot be programmed. The software product identification exit mode should be used to return to standard operation.

5. Absolute Maximum Ratings*

| | |
|--|--------------------------|
| Temperature Under Bias..... | -55°C to +125°C |
| Storage Temperature | -65°C to +150°C |
| All Input Voltages (Including NC Pins) with Respect to Ground | -0.6V to +6.25V |
| All Output Voltages with Respect to Ground | -0.6V to $V_{CC} + 0.6V$ |
| Voltage on A9 (Including NC Pins) with Respect to Ground | -0.6V to +13.5V |

***NOTICE:** Stresses beyond those listed under “Absolute Maximum Ratings” may cause permanent damage to the device. This is a stress rating only and functional operation of the device at these or any other conditions beyond those indicated in the operational sections of this specification is not implied. Exposure to absolute maximum rating conditions for extended periods may affect device reliability.

6. DC and AC Operating Range

| | | AT29LV040A-15 | AT29LV040A-20 | AT29LV040A-25 |
|---|------|---------------|---------------|---------------|
| Operating Temperature (Case) | Com. | 0°C - 70°C | 0°C - 70°C | 0°C - 70°C |
| | Ind. | -40°C - 85°C | -40°C - 85°C | -40°C - 85°C |
| V _{CC} Power Supply ⁽¹⁾ | | 3.3V ± 0.3V | 3.3V ± 0.3V | 3.3V ± 0.3V |

Notes: 1. After power is applied and V_{CC} is at the minimum specified datasheet value, the system should wait 20 ms before an operational mode is started.

2. Not recommended for New Designs.

7. Operating Modes

| Mode | \overline{CE} | \overline{OE} | \overline{WE} | Ai | I/O |
|-------------------------|-----------------|------------------|-----------------|--|----------------------------------|
| Read | V _{IL} | V _{IL} | V _{IH} | Ai | D _{OUT} |
| Program ⁽²⁾ | V _{IL} | V _{IH} | V _{IL} | Ai | D _{IN} |
| Standby/Write Inhibit | V _{IH} | X ⁽¹⁾ | X | X | High Z |
| Program Inhibit | X | X | V _{IH} | | |
| Program Inhibit | X | V _{IL} | X | | |
| Output Disable | X | V _{IH} | X | | High Z |
| Product Identification | | | | | |
| Hardware | V _{IL} | V _{IL} | V _{IH} | A1 - A18 = V _{IL} , A9 = V _H ⁽³⁾ , A0 = V _{IL} | Manufacturer Code ⁽⁴⁾ |
| | | | | A1 - A18 = V _{IL} , A9 = V _H ⁽³⁾ , A0 = V _{IH} | Device Code ⁽⁴⁾ |
| Software ⁽⁵⁾ | | | | A0 = V _I | Manufacturer Code ⁽⁴⁾ |
| | | | | A0 = V _{IH} | Device Code ⁽⁴⁾ |

- Notes: 1. X can be V_{IL} or V_{IH}.
 2. Refer to AC Programming Waveforms.
 3. V_H = 12.0V ± 0.5V.
 4. Manufacturer Code: 1F, Device Code: C4.
 5. See details under Software Product Identification Entry/Exit.

8. DC Characteristics

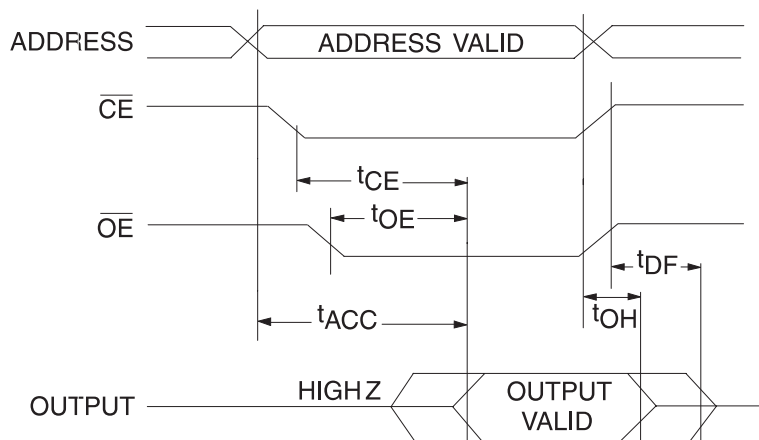
| Symbol | Parameter | Condition | Min | Max | Units |
|------------------|--------------------------------------|--|------|-----|-------|
| I _{LI} | Input Load Current | V _{IN} = 0V to V _{CC} | | 1 | μA |
| I _{LO} | Output Leakage Current | V _{I/O} = 0V to V _{CC} | | 1 | μA |
| I _{SB1} | V _{CC} Standby Current CMOS | $\overline{CE} = V_{CC} - 0.3V$ to V _{CC} | Com. | 40 | μA |
| | | | Ind. | 50 | μA |
| I _{SB2} | V _{CC} Standby Current TTL | $\overline{CE} = 2.0V$ to V _{CC} | | 1 | mA |
| I _{CC} | V _{CC} Active Current | f = 5 MHz; I _{OUT} = 0 mA; V _{CC} = 3.6V | | 15 | mA |
| V _{IL} | Input Low Voltage | | | 0.6 | V |
| V _{IH} | Input High Voltage | | 2.0 | | V |
| V _{OL} | Output Low Voltage | I _{OL} = 1.6 mA; V _{CC} = 3.0V | | .45 | V |
| V _{OH} | Output High Voltage | I _{OH} = -100 μA; V _{CC} = 3.0V | 2.4 | | V |

9. AC Read Characteristics

| Symbol | Parameter | AT29LV040A-15 | | AT29LV040A-20 | | AT29LV040A-25 | | Units |
|-------------------|---|---------------|-----|---------------|-----|---------------|-----|-------|
| | | Min | Max | Min | Max | Min | Max | |
| t_{ACC} | Address to Output Delay | | 150 | | 200 | | 250 | ns |
| $t_{CE}^{(1)}$ | \overline{CE} to Output Delay | | 150 | | 200 | | 250 | ns |
| $t_{OE}^{(2)}$ | \overline{OE} to Output Delay | 0 | 50 | 0 | 100 | 0 | 120 | ns |
| $t_{DF}^{(3)(4)}$ | \overline{CE} or \overline{OE} to Output Float | 0 | 30 | 0 | 50 | 0 | 60 | ns |
| t_{OH} | Output Hold from \overline{OE} , \overline{CE} or Address, Whichever Occurred First | 0 | | 0 | | 0 | | ns |

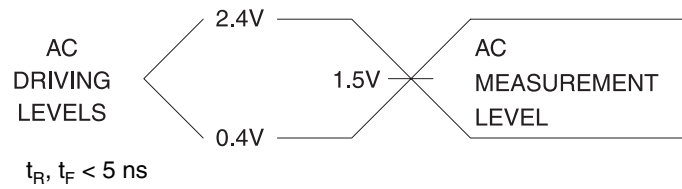
Note: Not recommended for New Designs.

10. AC Read Waveforms⁽¹⁾⁽²⁾⁽³⁾⁽⁴⁾

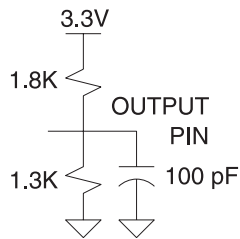


- Notes:
- \overline{CE} may be delayed up to $t_{ACC} - t_{CE}$ after the address transition without impact on t_{ACC} .
 - \overline{OE} may be delayed up to $t_{CE} - t_{OE}$ after the falling edge of \overline{CE} without impact on t_{CE} or by $t_{ACC} - t_{OE}$ after an address change without impact on t_{ACC} .
 - t_{DF} is specified from \overline{OE} or \overline{CE} whichever occurs first (CL = 5 pF).
 - This parameter is characterized and is not 100% tested.

11. Input Test Waveforms and Measurement Level



12. Output Test Load



13. Pin Capacitance

$f = 1 \text{ MHz}, T = 25^\circ\text{C}^{(1)}$

| Symbol | Typ | Max | Units | Conditions |
|-----------|-----|-----|-------|----------------|
| C_{IN} | 4 | 6 | pF | $V_{IN} = 0V$ |
| C_{OUT} | 8 | 12 | pF | $V_{OUT} = 0V$ |

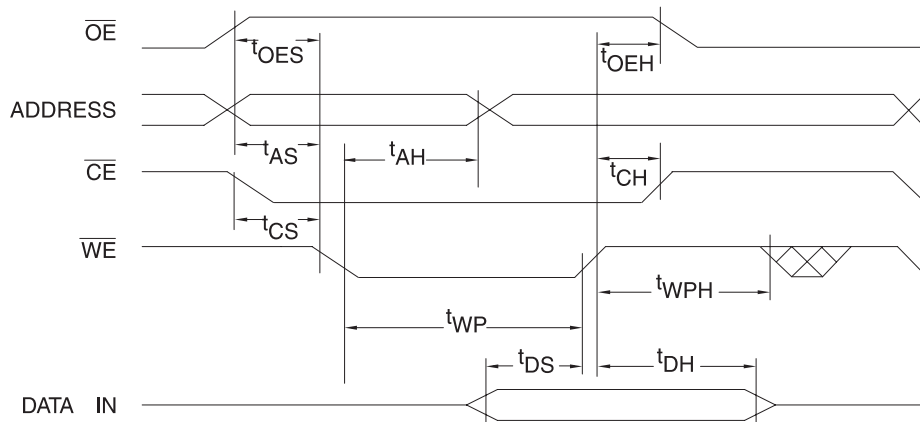
Note: 1. These parameters are characterized and not 100% tested.

14. AC Byte Load Characteristics

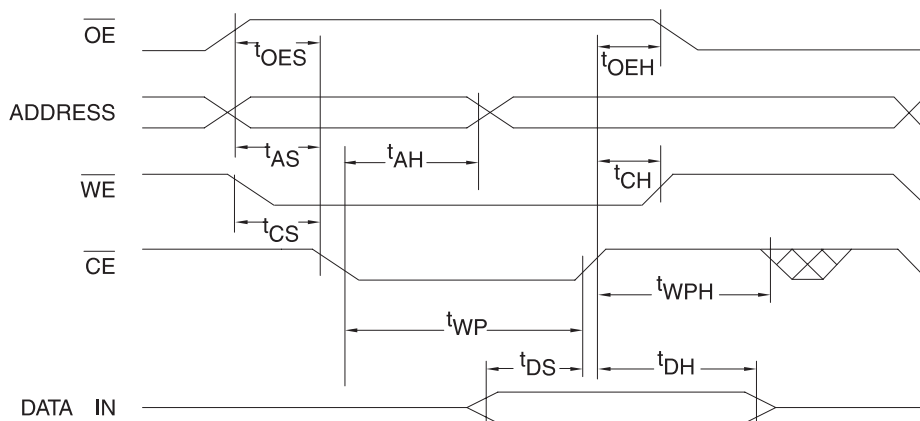
| Symbol | Parameter | Min | Max | Units |
|-------------------|--|-----|-----|-------|
| t_{AS}, t_{OES} | Address, \overline{OE} Set-up Time | 10 | | ns |
| t_{AH} | Address Hold Time | 100 | | ns |
| t_{CS} | Chip Select Set-up Time | 0 | | ns |
| t_{CH} | Chip Select Hold Time | 0 | | ns |
| t_{WP} | Write Pulse Width (\overline{WE} or \overline{CE}) | 200 | | ns |
| t_{DS} | Data Set-up Time | 100 | | ns |
| t_{DH}, t_{OEH} | Data, \overline{OE} Hold Time | 10 | | ns |
| t_{WPH} | Write Pulse Width High | 200 | | ns |

15. AC Byte Load Waveforms⁽¹⁾⁽²⁾

15.1 \overline{WE} Controlled



15.2 \overline{CE} Controlled

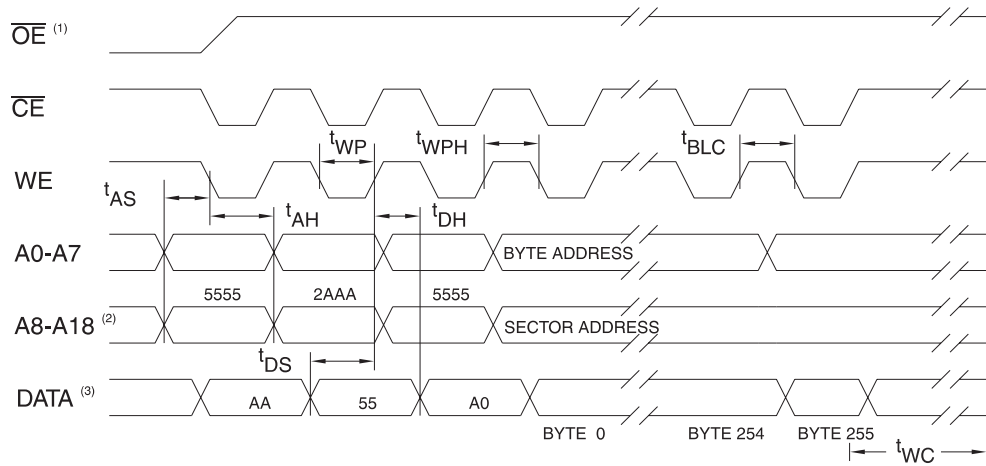


- Notes:
1. The 3-byte address and data commands shown on the next page must be applied prior to byte loads.
 2. A complete sector (256 bytes) should be loaded using these waveforms shown in these byte load waveform diagrams.

16. Program Cycle Characteristics

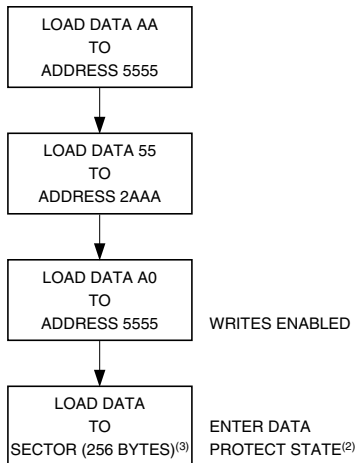
| Symbol | Parameter | Min | Max | Units |
|-----------|------------------------|-----|-----|---------|
| t_{WC} | Write Cycle Time | | 20 | ms |
| t_{AS} | Address Set-up Time | 10 | | ns |
| t_{AH} | Address Hold Time | 100 | | ns |
| t_{DS} | Data Set-up Time | 100 | | ns |
| t_{DH} | Data Hold Time | 10 | | ns |
| t_{WP} | Write Pulse Width | 200 | | ns |
| t_{BLC} | Byte Load Cycle Time | | 150 | μ s |
| t_{WPH} | Write Pulse Width High | 200 | | ns |

17. Software Protected Program Waveform



- Notes:
- \overline{OE} must be high when \overline{WE} and \overline{CE} are both low.
 - A8 through A18 must specify the sector address during each high-to-low transition of \overline{WE} (or \overline{CE}) after the software code has been entered.
 - All words that are not loaded within the sector being programmed will be indeterminate.

18. Programming Algorithm⁽¹⁾



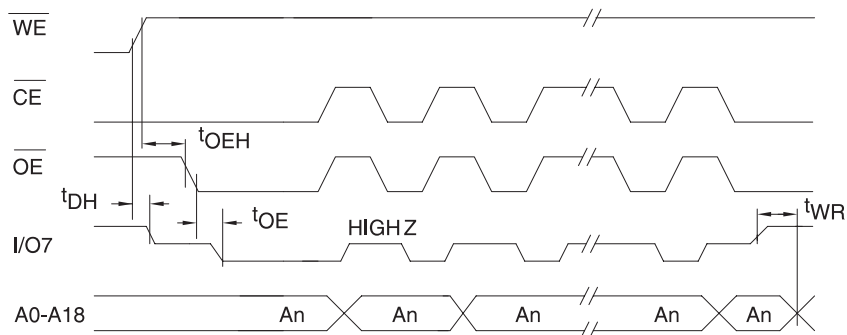
- Notes:
- Data Format: I/O7 - I/O0 (Hex); Address Format: A14 - A0 (Hex).
 - Data Protect state will be re-activated at end of program cycle.
 - 256 bytes of data **MUST BE** loaded.

19. Data Polling Characteristics⁽¹⁾

| Symbol | Parameter | Min | Typ | Max | Units |
|----------------------|--|-----|-----|-----|-------|
| t_{DH} | Data Hold Time | 10 | | | ns |
| $t_{OE\overline{H}}$ | \overline{OE} Hold Time | 10 | | | ns |
| t_{OE} | \overline{OE} to Output Delay ⁽²⁾ | | | | ns |
| t_{WR} | Write Recovery Time | 0 | | | ns |

- Notes: 1. These parameters are characterized and not 100% tested.
 2. See t_{OE} spec in AC Read Characteristics.

20. Data Polling Waveforms

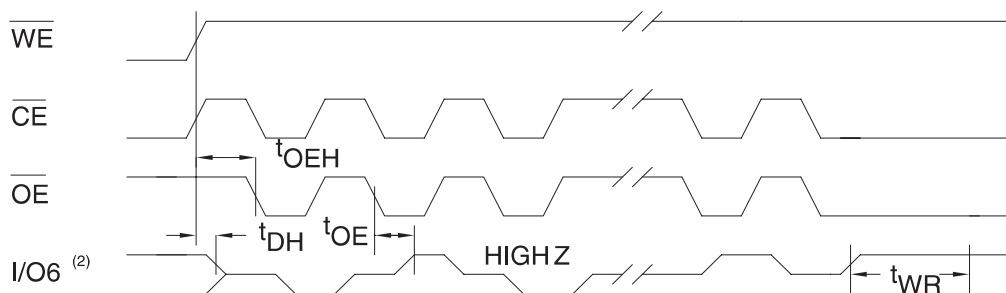


21. Toggle Bit Characteristics⁽¹⁾

| Symbol | Parameter | Min | Typ | Max | Units |
|----------------------|--|-----|-----|-----|-------|
| t_{DH} | Data Hold Time | 10 | | | ns |
| $t_{OE\overline{H}}$ | \overline{OE} Hold Time | 10 | | | ns |
| t_{OE} | \overline{OE} to Output Delay ⁽²⁾ | | | | ns |
| t_{OEHP} | \overline{OE} High Pulse | 150 | | | ns |
| t_{WR} | Write Recovery Time | 0 | | | ns |

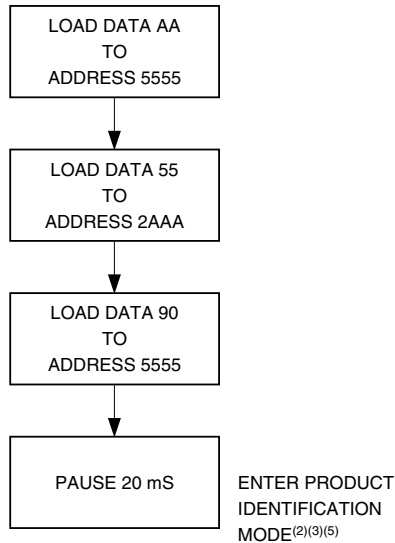
- Notes: 1. These parameters are characterized and not 100% tested.
 2. See t_{OE} spec in AC Read Characteristics.

22. Toggling Bit Waveforms⁽¹⁾⁽³⁾

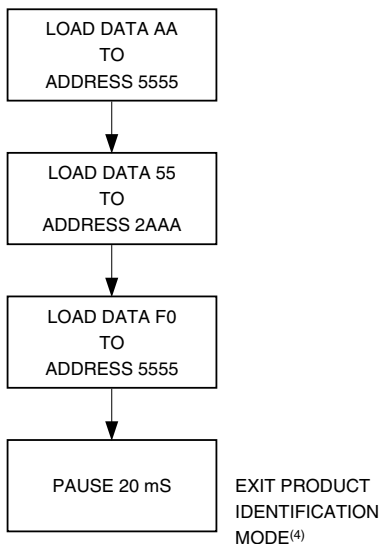


- Notes: 1. Toggling either \overline{OE} or \overline{CE} or both \overline{OE} and \overline{CE} will operate toggle bit.
 2. Beginning and ending state of I/O6 will vary.
 3. Any address location may be used by the address should not vary.

23. Software Product Identification Entry⁽¹⁾

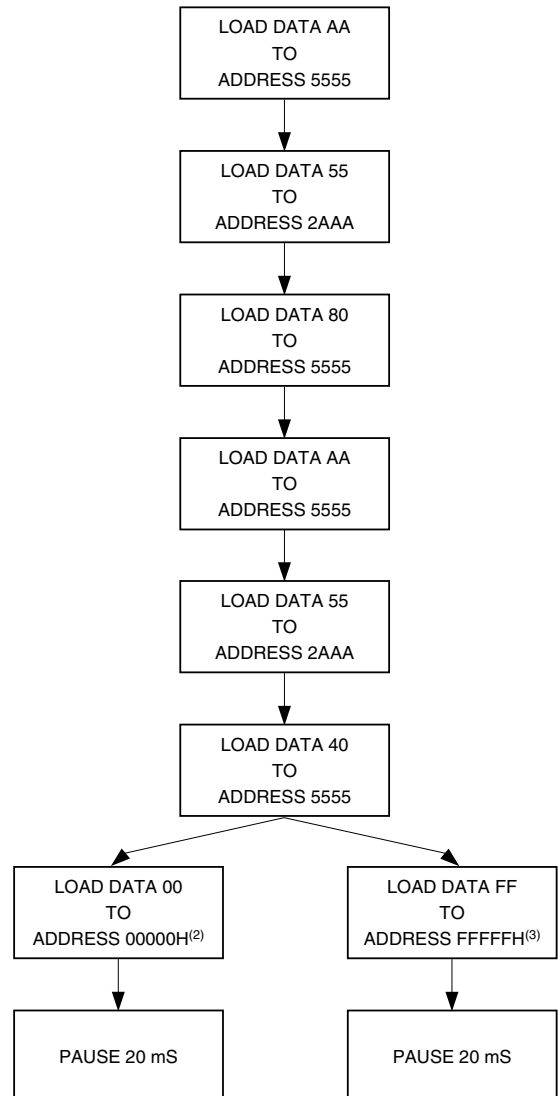


24. Software Product Identification Exit⁽¹⁾



- Notes:
1. Data Format: I/O7 - I/O0 (Hex); Address Format: A14 - A0 (Hex).
 2. A1 - A18 = V_{IL} .
Manufacturer Code is read for A0 = V_{IL} ;
Device Code is read for A0 = V_{IH} .
 3. The device does not remain in identification mode if powered down.
 4. The device returns to standard operation mode.
 5. Manufacturer Code is 1F. The Device Code is C4.

25. Boot Block Lockout Feature Enable Algorithm⁽¹⁾



- Notes:
1. Data Format: I/O7 - I/O0 (Hex); Address Format: A14 - A0 (Hex).
 2. Lockout feature set on lower address boot block.
 3. Lockout feature set on higher address boot block.

26. Ordering Information

26.1 Standard Package

| t _{ACC} (ns) | I _{CC} (mA) | | Ordering Code | Package | Operation Range |
|--------------------------|----------------------|---------|------------------------------------|------------|------------------------------|
| | Active | Standby | | | |
| 150 | 15 | 0.04 | AT29LV040A-15JC AT29LV040A-15TC | 32J 32T | Commercial (0° to 70°C) |
| | 15 | 0.05 | AT29LV040A-15JI AT29LV040A-15TI | 32J 32T | Industrial (-40° to 85°C) |
| 200 | 15 | 0.04 | AT29LV040A-20JC AT29LV040A-20TC | 32J 32T | Commercial (0° to 70°C) |
| | 15 | 0.05 | AT29LV040A-20JI AT29LV040A-20TI | 32J 32T | Industrial (-40° to 85°C) |
| 250 | 15 | 0.04 | AT29LV040A-25JC AT29LV040A-25TC | 32J 32T | Commercial (0° to 70°C) |
| | 15 | 0.05 | AT29LV040A-25JI AT29LV040A-25TI | 32J 32T | Industrial (-40° to 85°C) |

Note: Not recommended for New Designs.

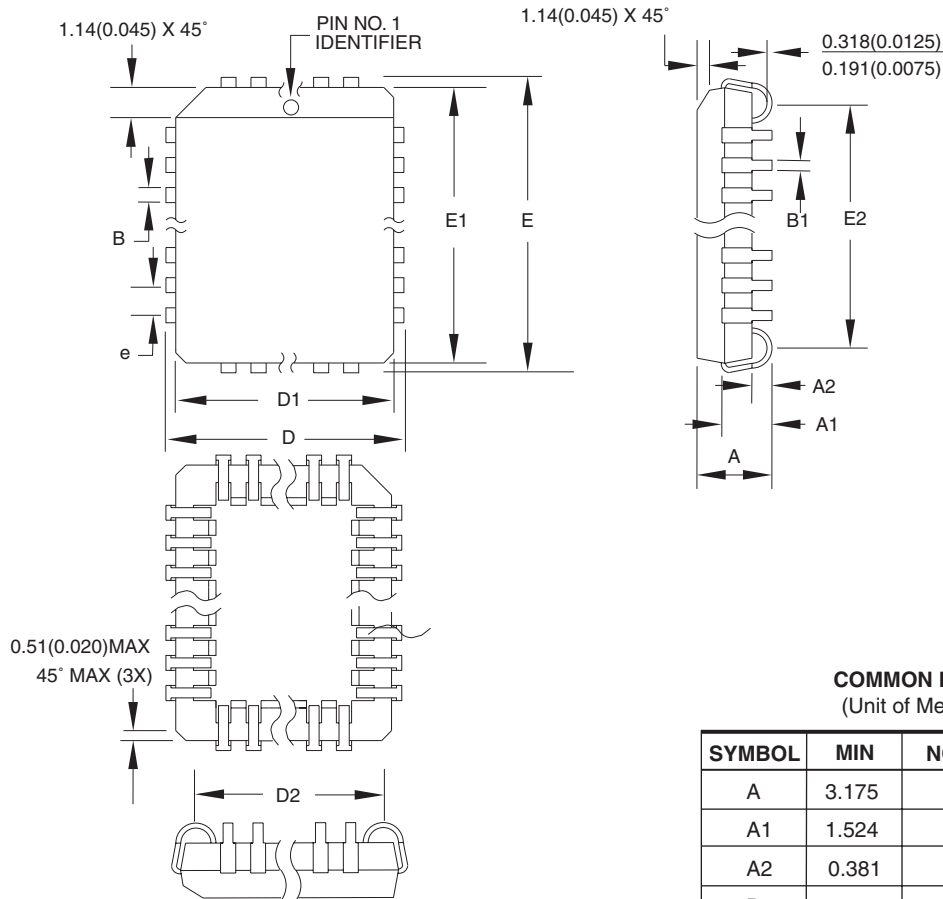
26.2 Green Package Option (Pb/Halide-free)

| t _{ACC} (ns) | I _{CC} (mA) | | Ordering Code | Package | Operation Range |
|--------------------------|----------------------|---------|------------------------------------|------------|------------------------------|
| | Active | Standby | | | |
| 150 | 15 | 0.05 | AT29LV040A-15JU AT29LV040A-15TU | 32J 32T | Industrial (-40° to 85°C) |

| Package Type | |
|--------------|---|
| 32J | 32-lead, Plastic J-leaded Chip Carrier (PLCC) |
| 32T | 32-lead, Thin Small Outline Package (TSOP) |

27. Packaging Information

27.1 32J – PLCC



COMMON DIMENSIONS
(Unit of Measure = mm)

| SYMBOL | MIN | NOM | MAX | NOTE |
|--------|-----------|-----|--------|--------|
| A | 3.175 | – | 3.556 | |
| A1 | 1.524 | – | 2.413 | |
| A2 | 0.381 | – | – | |
| D | 12.319 | – | 12.573 | |
| D1 | 11.354 | – | 11.506 | Note 2 |
| D2 | 9.906 | – | 10.922 | |
| E | 14.859 | – | 15.113 | |
| E1 | 13.894 | – | 14.046 | Note 2 |
| E2 | 12.471 | – | 13.487 | |
| B | 0.660 | – | 0.813 | |
| B1 | 0.330 | – | 0.533 | |
| e | 1.270 TYP | | | |

- Notes:
1. This package conforms to JEDEC reference MS-016, Variation AE.
 2. Dimensions D1 and E1 do not include mold protrusion. Allowable protrusion is .010" (0.254 mm) per side. Dimension D1 and E1 include mold mismatch and are measured at the extreme material condition at the upper or lower parting line.
 3. Lead coplanarity is 0.004" (0.102 mm) maximum.

10/04/01



2325 Orchard Parkway
San Jose, CA 95131

TITLE

32J, 32-lead, Plastic J-leaded Chip Carrier (PLCC)

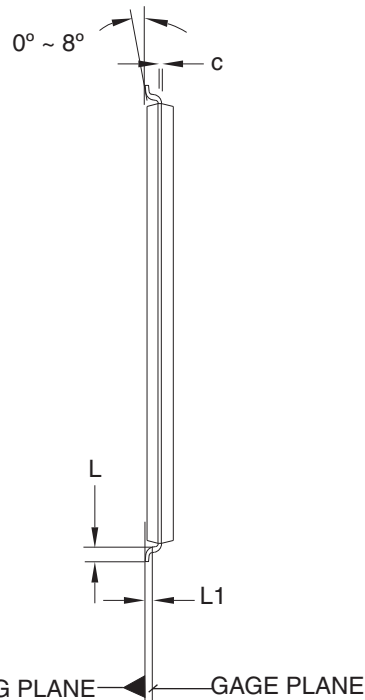
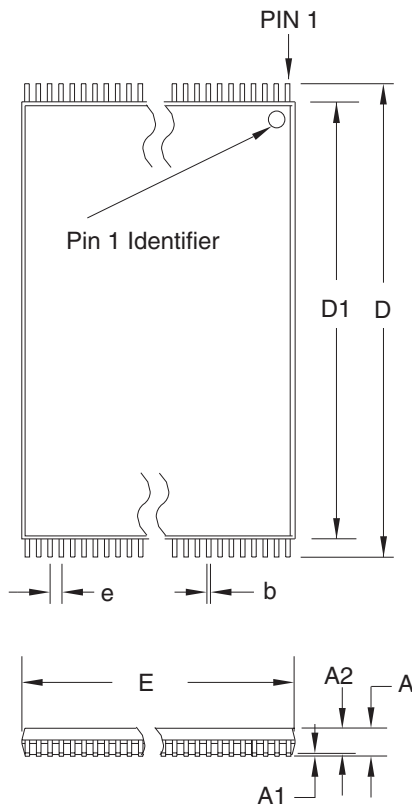
DRAWING NO.

32J

REV.

B

27.2 32T – TSOP



COMMON DIMENSIONS
(Unit of Measure = mm)

| SYMBOL | MIN | NOM | MAX | NOTE |
|--------|------------|-------|-------|--------|
| A | – | – | 1.20 | |
| A1 | 0.05 | – | 0.15 | |
| A2 | 0.95 | 1.00 | 1.05 | |
| D | 19.80 | 20.00 | 20.20 | |
| D1 | 18.30 | 18.40 | 18.50 | Note 2 |
| E | 7.90 | 8.00 | 8.10 | Note 2 |
| L | 0.50 | 0.60 | 0.70 | |
| L1 | 0.25 BASIC | | | |
| b | 0.17 | 0.22 | 0.27 | |
| c | 0.10 | – | 0.21 | |
| e | 0.50 BASIC | | | |

- Notes:
1. This package conforms to JEDEC reference MO-142, Variation BD.
 2. Dimensions D1 and E do not include mold protrusion. Allowable protrusion on E is 0.15 mm per side and on D1 is 0.25 mm per side.
 3. Lead coplanarity is 0.10 mm maximum.

10/18/01



2325 Orchard Parkway
San Jose, CA 95131

TITLE

32T, 32-lead (8 x 20 mm Package) Plastic Thin Small Outline Package, Type I (TSOP)

DRAWING NO.

32T

REV.

B





Atmel Corporation

2325 Orchard Parkway
San Jose, CA 95131, USA
Tel: 1(408) 441-0311
Fax: 1(408) 487-2600

Regional Headquarters

Europe

Atmel Sarl
Route des Arsenalux 41
Case Postale 80
CH-1705 Fribourg
Switzerland
Tel: (41) 26-426-5555
Fax: (41) 26-426-5500

Asia

Room 1219
Chinachem Golden Plaza
77 Mody Road Tsimshatsui
East Kowloon
Hong Kong
Tel: (852) 2721-9778
Fax: (852) 2722-1369

Japan

9F, Tonetsu Shinkawa Bldg.
1-24-8 Shinkawa
Chuo-ku, Tokyo 104-0033
Japan
Tel: (81) 3-3523-3551
Fax: (81) 3-3523-7581

Atmel Operations

Memory

2325 Orchard Parkway
San Jose, CA 95131, USA
Tel: 1(408) 441-0311
Fax: 1(408) 436-4314

Microcontrollers

2325 Orchard Parkway
San Jose, CA 95131, USA
Tel: 1(408) 441-0311
Fax: 1(408) 436-4314

La Chantrerie
BP 70602
44306 Nantes Cedex 3, France
Tel: (33) 2-40-18-18-18
Fax: (33) 2-40-18-19-60

ASIC/ASSP/Smart Cards

Zone Industrielle
13106 Rousset Cedex, France
Tel: (33) 4-42-53-60-00
Fax: (33) 4-42-53-60-01

1150 East Cheyenne Mtn. Blvd.
Colorado Springs, CO 80906, USA
Tel: 1(719) 576-3300
Fax: 1(719) 540-1759

Scottish Enterprise Technology Park
Maxwell Building
East Kilbride G75 0QR, Scotland
Tel: (44) 1355-803-000
Fax: (44) 1355-242-743

RF/Automotive

Theresienstrasse 2
Postfach 3535
74025 Heilbronn, Germany
Tel: (49) 71-31-67-0
Fax: (49) 71-31-67-2340

1150 East Cheyenne Mtn. Blvd.
Colorado Springs, CO 80906, USA
Tel: 1(719) 576-3300
Fax: 1(719) 540-1759

Biometrics/Imaging/Hi-Rel MPU/ High Speed Converters/RF Datacom

Avenue de Rochepleine
BP 123
38521 Saint-Egreve Cedex, France
Tel: (33) 4-76-58-30-00
Fax: (33) 4-76-58-34-80

Literature Requests

www.atmel.com/literature

Disclaimer: The information in this document is provided in connection with Atmel products. No license, express or implied, by estoppel or otherwise, to any intellectual property right is granted by this document or in connection with the sale of Atmel products. **EXCEPT AS SET FORTH IN ATMEL'S TERMS AND CONDITIONS OF SALE LOCATED ON ATMEL'S WEB SITE, ATMEL ASSUMES NO LIABILITY WHATSOEVER AND DISCLAIMS ANY EXPRESS, IMPLIED OR STATUTORY WARRANTY RELATING TO ITS PRODUCTS INCLUDING, BUT NOT LIMITED TO, THE IMPLIED WARRANTY OF MERCHANTABILITY, FITNESS FOR A PARTICULAR PURPOSE, OR NON-INFRINGEMENT. IN NO EVENT SHALL ATMEL BE LIABLE FOR ANY DIRECT, INDIRECT, CONSEQUENTIAL, PUNITIVE, SPECIAL OR INCIDENTAL DAMAGES (INCLUDING, WITHOUT LIMITATION, DAMAGES FOR LOSS OF PROFITS, BUSINESS INTERRUPTION, OR LOSS OF INFORMATION) ARISING OUT OF THE USE OR INABILITY TO USE THIS DOCUMENT, EVEN IF ATMEL HAS BEEN ADVISED OF THE POSSIBILITY OF SUCH DAMAGES.** Atmel makes no representations or warranties with respect to the accuracy or completeness of the contents of this document and reserves the right to make changes to specifications and product descriptions at any time without notice. Atmel does not make any commitment to update the information contained herein. Atmel's products are not intended, authorized, or warranted for use as components in applications intended to support or sustain life.

© Atmel Corporation 2005. All rights reserved. Atmel®, logo and combinations thereof, and others, are registered trademarks, and Everywhere You AreSM and others are the trademarks of Atmel Corporation or its subsidiaries. Other terms and product names may be trademarks of others.



Printed on recycled paper.

0334G-FLASH-2/05