

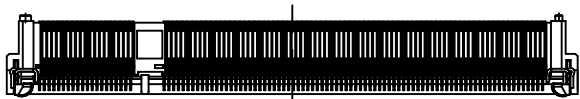
SWITCH CIRCUIT

MATERIAL AND FINISH AS BELOW

WHEN CARD IS EJECTED

WHEN CARD IS INSERTED

A	Housing	LCP UL94V-0 Beige	E	
B	Contact	Phosphor Bronze C5210, Contact Area: Gold Flash	F	
C	Latch	Stainless Steel SUS301	G	
D			H	



NOTES:
 DATE CODE 2202 (YWWDD)
 Y: 2 YEAR (2012)
 WW: 20 WEEK (01~52)
 D: 2 DAY (01~07)

SPECIFICATION:

1. ELECTRICAL

- 1.1 Current Rating: 0.5A per pin
- 1.2 Voltage Rating: 25V AC/DC
- 1.3 Contact Resistance: 60mΩ
- 1.4 Insulation Resistance: 500MΩ
- 1.5 Dielectric Withstanding Voltage: 125VAC

2. MECHANICAL

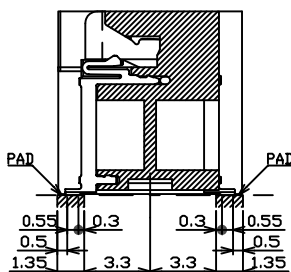
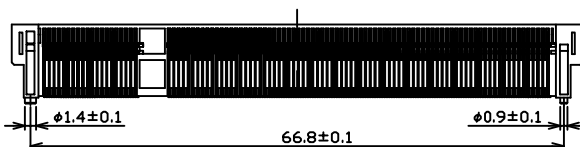
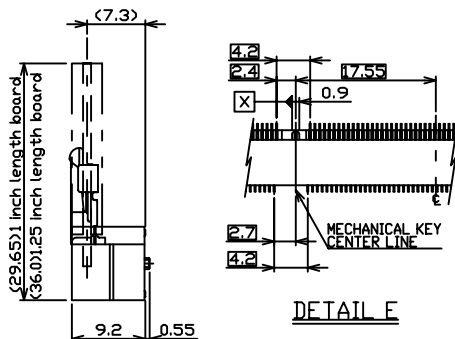
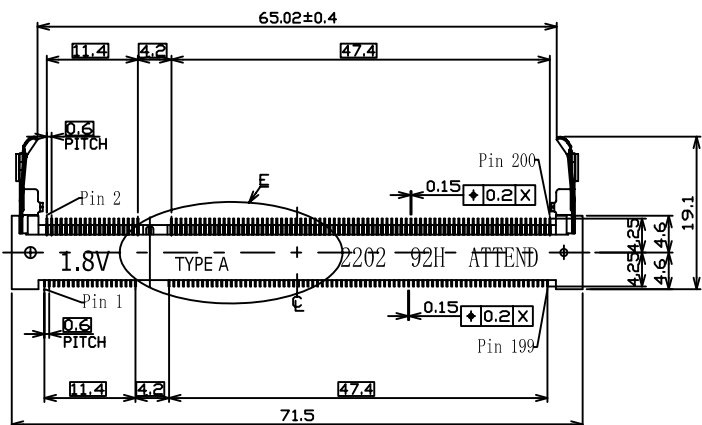
- 2.1 Durability: 25 Cycle
- 2.2 Latch Retention Force: 8 N/Pos. Min

3. ENVIRONMENTAL

- 3.1 Operating temperature range: -40°C~+85°C
- 3.2 Storage temperature range: -40°C~+85°C

4. SOLDER ABILITY

- 4.1 Recommended IR Reflow Temperature: 255°C 10Sec



P1	P2	P3	P4	P5	P6	P7	P8	P9	P10	P11	P12
----	----	----	----	----	----	----	----	----	-----	-----	-----

PIN ASSIGNMENT

121A-92A00 SO DIMM DDR2 Socket 1.8V 200Pin Type H:9.2, Contact Area: Gold Flash

PRODUCT NO. DESCRIPTION

UNLESS OTHERWISE SPECIFIED TOLERANCE		
ANGLES	ANG.	±5°
LINEAR	0.	±0.3
	0.0	±0.25
	0.00	±0.20



www.attend.com.tw

DRAWN	Willis	2012/12/05
CHECKED	Angel	2012/12/05
APPROVED	Ken	2012/12/05

DRAWN NAME:
SO DIMM DDR2 Socket 1.8V 200Pin 9.2H Type

PRODUCT NO. 121A-92A00

△

Revise:

△

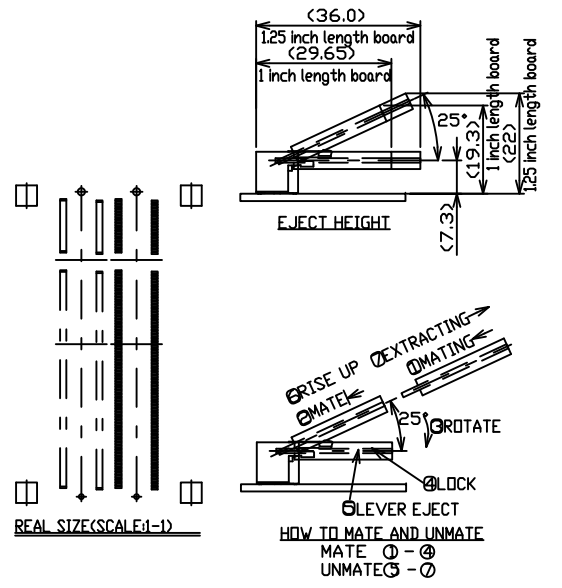
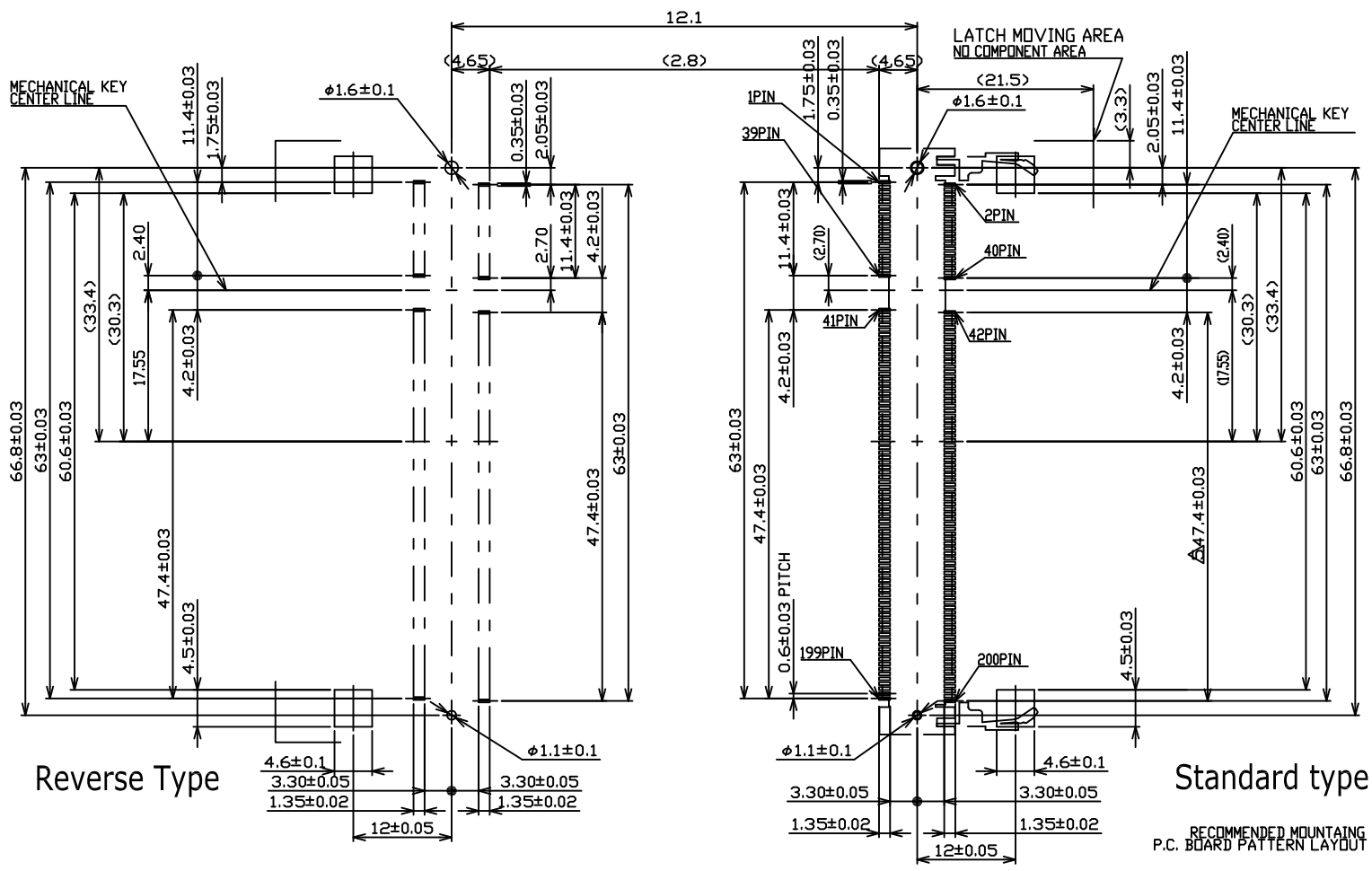
Revise:

△

Revise:

REV.	DESCRIPTION	DATE	REV.	DESCRIPTION	DATE	SIZE	REV.	FILE NAME
------	-------------	------	------	-------------	------	------	------	-----------

1 2 3 4 5 6 7 8 A4 1.0 9 10 121A-92A00_B_1



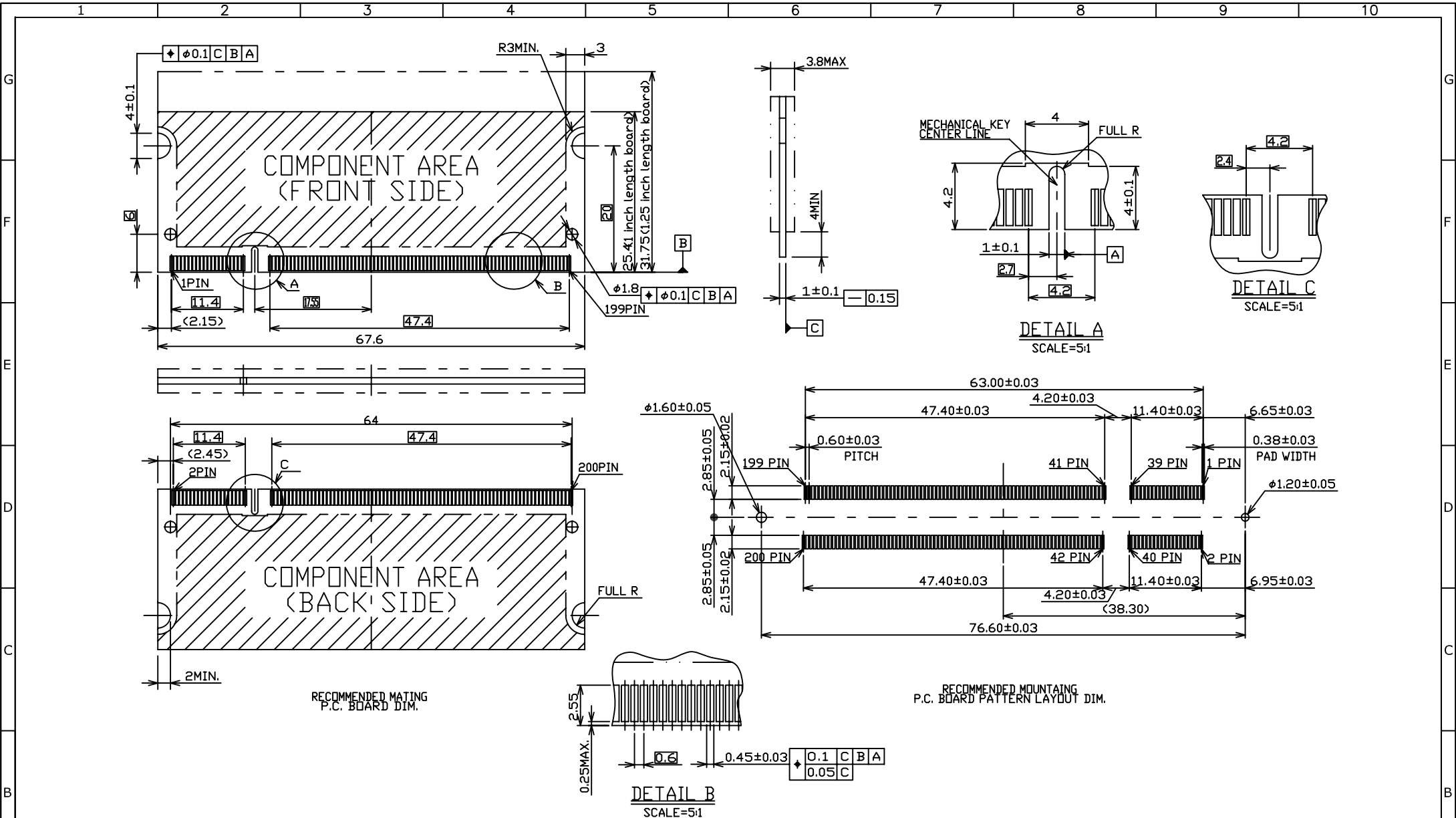
www.attend.com.tw

REV.	DESCRIPTION	DATE	REV.	DESCRIPTION	DATE
1			2		
3			4		
5			6		
7			8		
9			10		

UNLESS OTHERWISE SPECIFIED TOLERANCE		
ANGLES	ANG.	±5°
LINEAR	0.	±0.3
	0.0	±0.25
	0.00	±0.20
SCALE	AS SHOWN	UNIT: mm
DRAWN	Willis	2012/12/05
CHECKED	Angel	2012/12/05
APPROVED	Ken	2012/12/05
SIZE	A4	REV. 1.0

DRAWN NAME:		SO DIMM DDR2 Socket 1.8V 200Pin 9.2H Type	
PRODUCT NO.	121A-92A00	FILE NAME	121A-92A00_B_1

Revise:
Revise:
Revise:

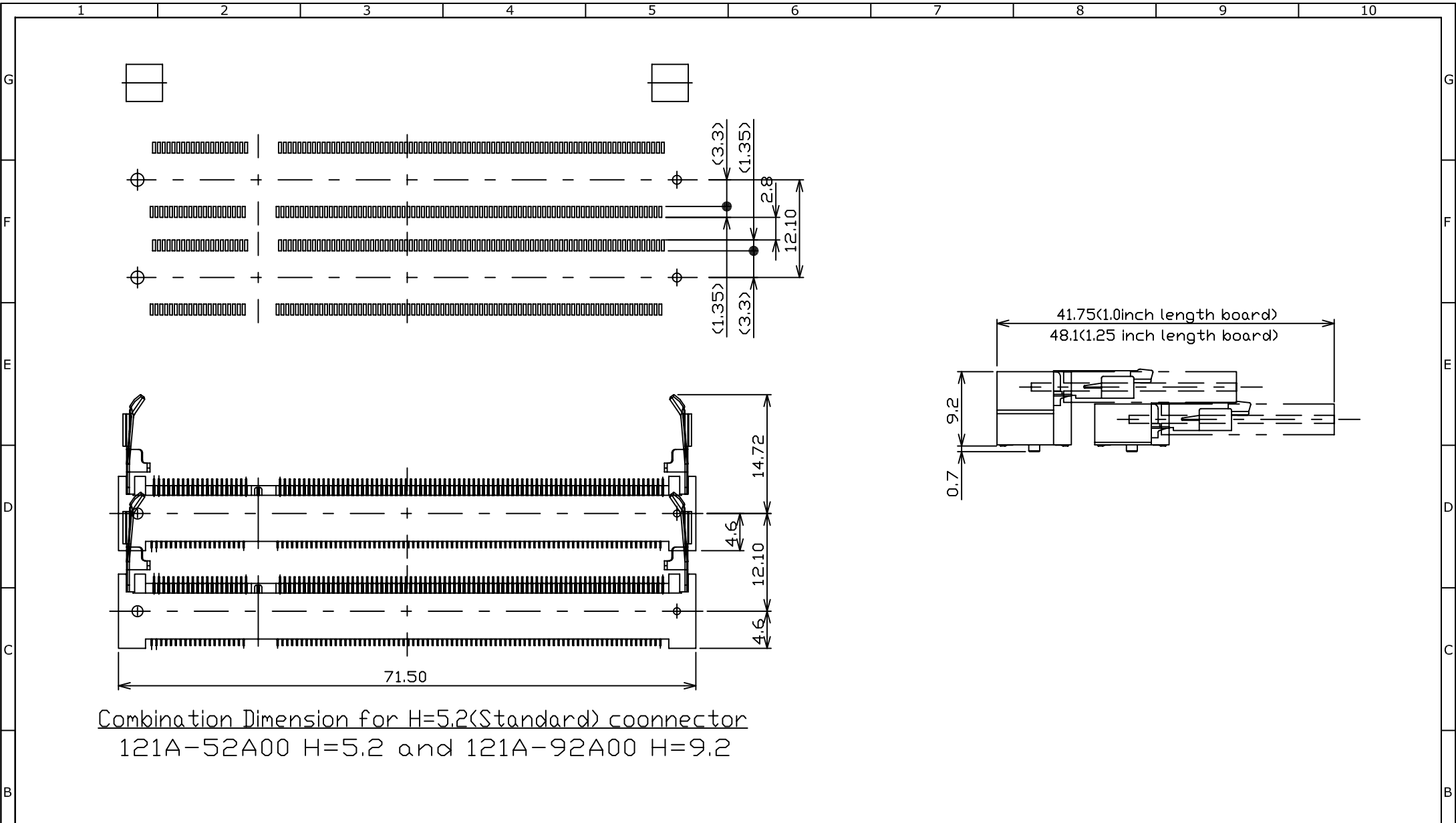


REV.	DESCRIPTION	DATE	REV.	DESCRIPTION	DATE	SIZE	REV.	FILE NAME
1			4			A4	1.0	121A-92A00_B_1
2			5					
3			6					
4			7					
5			8					
6			9					
7			10					

UNLESS OTHERWISE SPECIFIED TOLERANCE		
ANGLES	ANG.	±5°
LINEAR	0.	±0.3
	0.0	±0.25
	0.00	±0.20
SCALE	AS SHOWN	UNIT: mm
DRAWN	Willis	2012/12/05
CHECKED	Angel	2012/12/05
APPROVED	Ken	2012/12/05

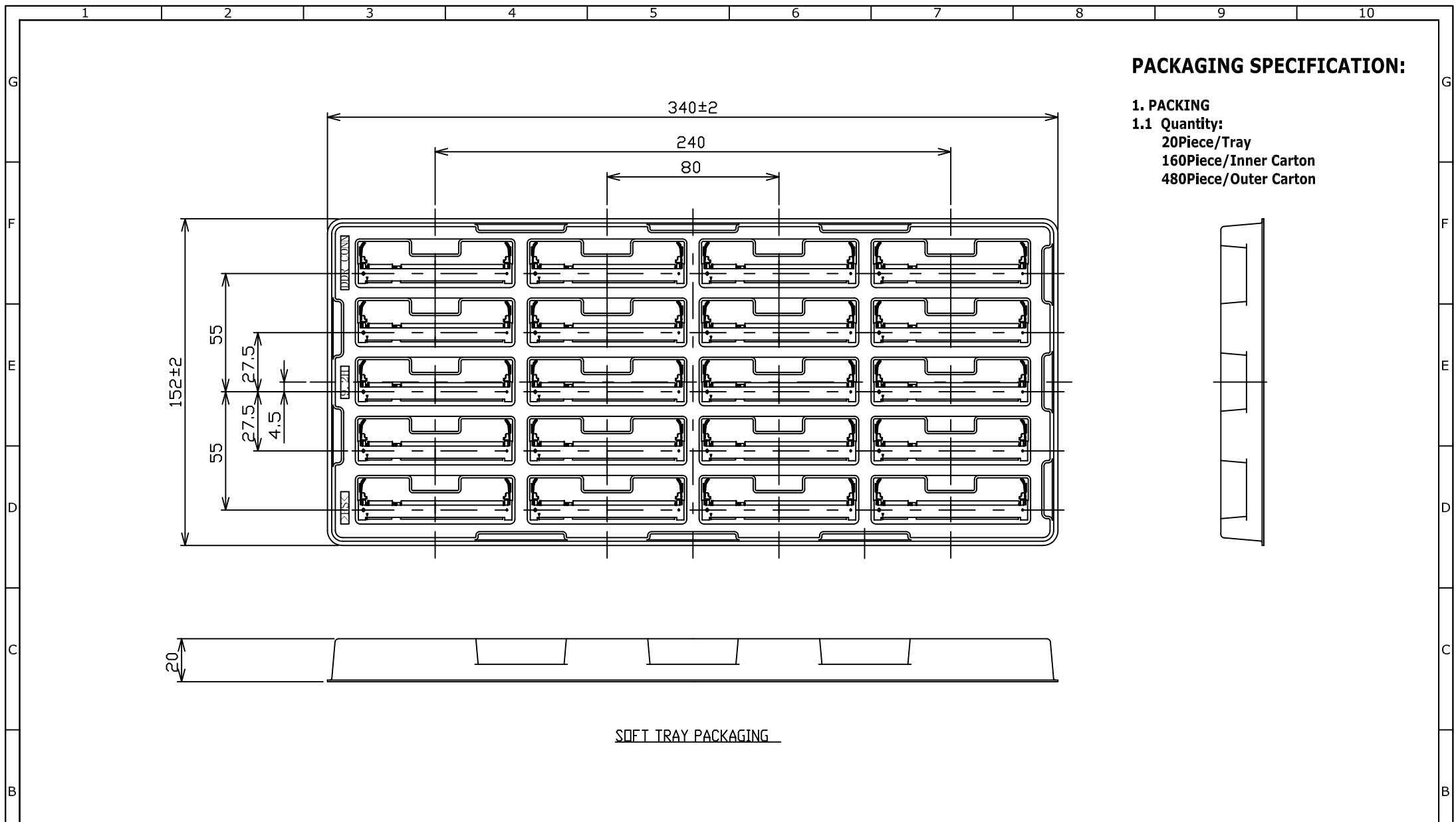
www.attend.com.tw	
DRAWN NAME: SO DIMM DDR2 Socket 1.8V 200Pin 9.2H Type	
PRODUCT NO.	121A-92A00
FILE NAME	121A-92A00_B_1





Combination Dimension for H=5.2(Standard) coonector
 121A-52A00 H=5.2 and 121A-92A00 H=9.2

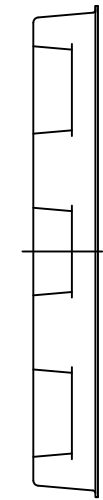
						UNLESS OTHERWISE SPECIFIED TOLERANCE			 www.attend.com.tw	
						ANGLES	ANG.	±5°		
						LINEAR	0.	±0.3		
							0.00	±0.25		
						SCALE	AS SHOWN	UNIT: mm	±0.20	
						DRAWN	Willis	2012/12/05	DRAWN NAME:	
						CHECKED	Angel	2012/12/05	SO DIMM DDR2 Socket 1.8V 200Pin 9.2H Type	
						APPROVED	Ken	2012/12/05	PRODUCT NO.	121A-92A00
REV.	DESCRIPTION		DATE	REV.	DESCRIPTION		DATE	SIZE	REV.	FILE NAME
1				4				A4	1.0	121A-92A00_B_1



PACKAGING SPECIFICATION:

- 1. PACKING**
- 1.1 Quantity:**

 - 20Piece/Tray**
 - 160Piece/Inner Carton**
 - 480Piece/Outer Carton**



SOFT TRAY PACKAGING

						UNLESS OTHERWISE SPECIFIED TOLERANCE			 www.attend.com.tw	
						ANGLES	ANG.	±5°		
						LINEAR	0.	±0.3		
							0.00	±0.25		
						SCALE	AS SHOWN	UNIT: mm		
						DRAWN	Willis	2012/12/05	DRAWN NAME:	
						CHECKED	Angel	2012/12/05	SO DIMM DDR2 Socket 1.8V 200Pin 9.2H Type	
						APPROVED	Ken	2012/12/05	PRODUCT NO.	121A-92A00
REV.	DESCRIPTION		DATE	REV.	DESCRIPTION		DATE	SIZE	REV.	FILE NAME
1				4				A4	1.0	121A-92A00_D_1

A

△ Revise:

△ Revise:

△ Revise:

A

△ Revise:

△ Revise:

△ Revise: