

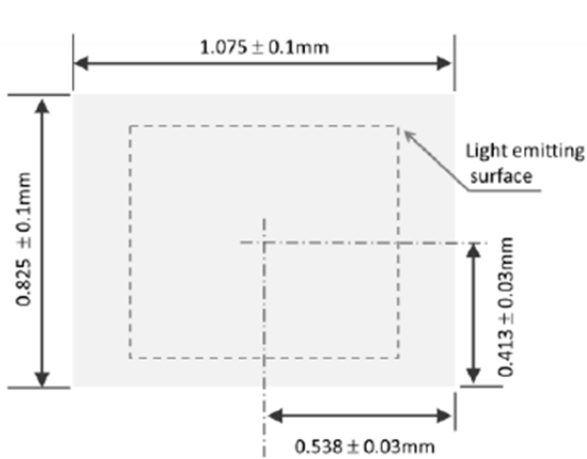


American Opto Plus LED Corp.

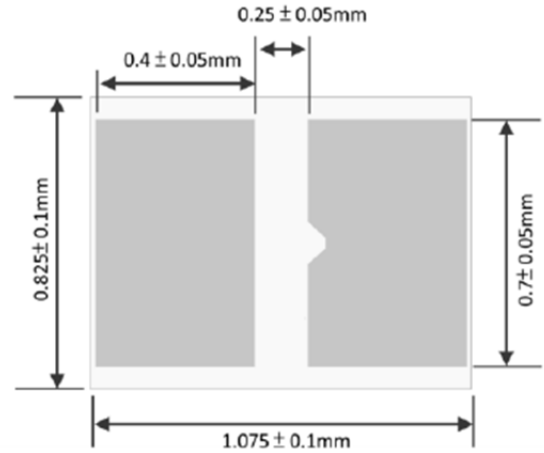
L108UWC-CW

1.075 x 0.825 x 0.75mm COOL WHITE POWER SMD

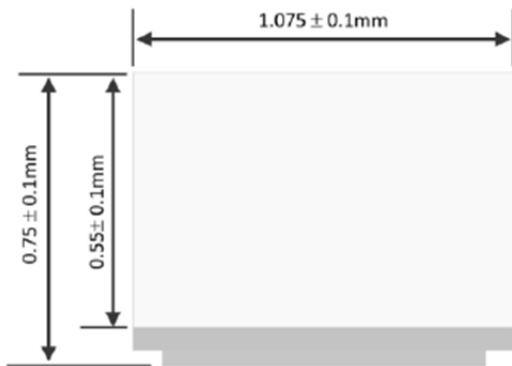
PACKAGE OUTLINES



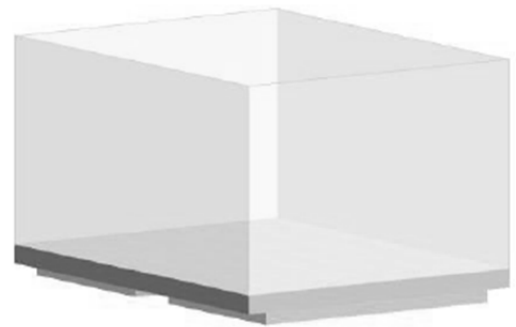
Top View



Bottom View



Side View



Notes:

1. All dimensions are in millimeters
2. Tolerances unless mentioned are ± 0.1mm



American Opto Plus LED Corp.

L108UWC-CW

1.075 x 0.825 x 0.75mm COOL WHITE POWER SMD

ABSOLUTE MAXIMUM RATINGS

(Ta=25°C)

Parameter	Symbol	Max Rating	Unit
Typ. Forward Current	I _F	350	mA
Max. Forward Current	I _F	500	mA
Max. Peak Pulse Current	I _{FP}	700	mA
Reverse Current	V	5	V
Power Dissipation (@350mA)	P _D	1.15 (typ)	W
Junction Temperature	T _J	125	°C
Operating Temperature	T _{OPR}	-40 ~ +85	°C
Storage Temperature	T _{STG}	-40 ~ +100	°C
Recommended Soldering Temperature	T _{SOL}	240	°C
Thermal Resistance	θ _{th}	4	°C/W
Allowable Reflow Cycles	-	3	Cycles
ESD Sensitivity	HBM	±8000	V

OPTICAL-ELECTRICAL CHARACTERISTICS

(Ta=25°C)

Parameter	Symbol	Test Condition	Kelvin Temp.	Min	Typ	Max	Unit
Luminous Flux	Φ _v	350mA	ALL	--	120/110	--	Lm
Correlated Color Temp.	CCT		5700K	5310	--	6020	K
			5000K	4745	--	5310	
Forward Voltage	V _F		ALL	--	3.3	--	V
Viewing Angle	2θ _{1/2}		ALL	--	155	--	deg
CRI	R _A		ALL	--	70/80	--	--
Thermal Resistance	R _{θJ-C}		ALL	--	<4	--	°C/W

Notes:

1. Viewing angle tolerance: ±10°
2. Luminous flux & power measurement tolerance: ±7%
3. CRI tolerance: ±3

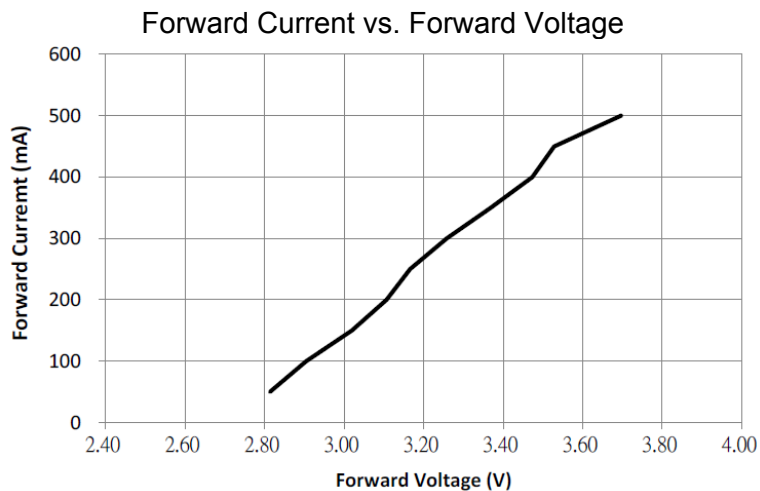
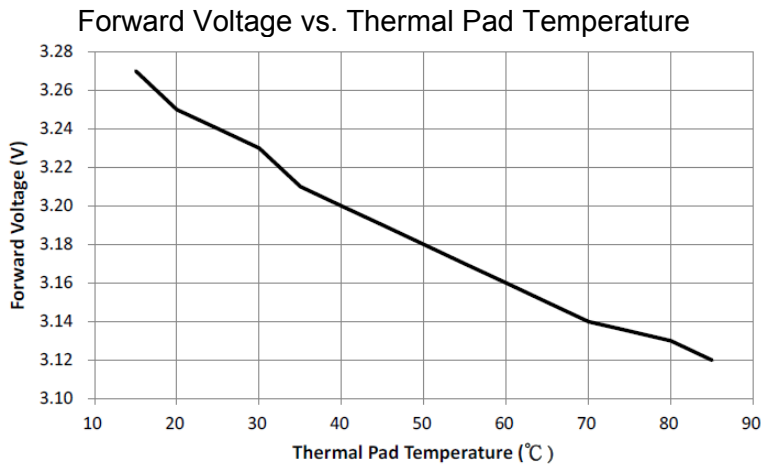
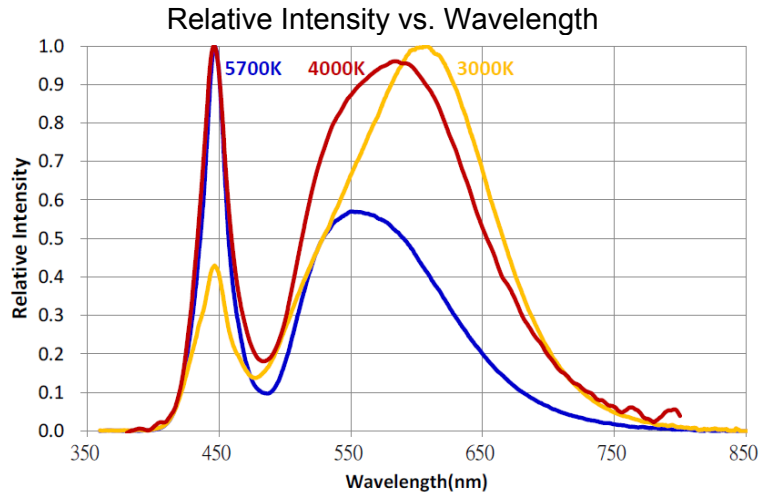


American Opto Plus LED Corp.

L108UWC-CW

1.075 x 0.825 x 0.75mm COOL WHITE POWER SMD

OPTICAL-ELECTRICAL CHARACTERISTICS

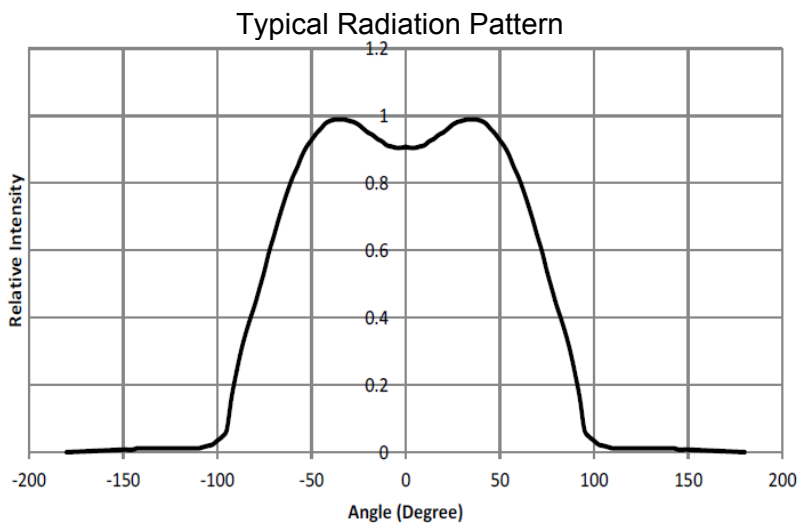
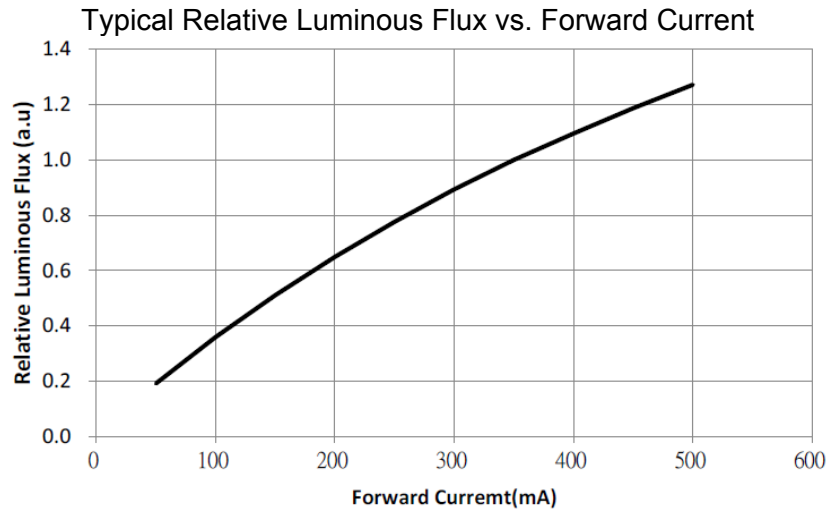




American Opto Plus LED Corp.

L108UWC-CW

1.075 x 0.825 x 0.75mm COOL WHITE POWER SMD



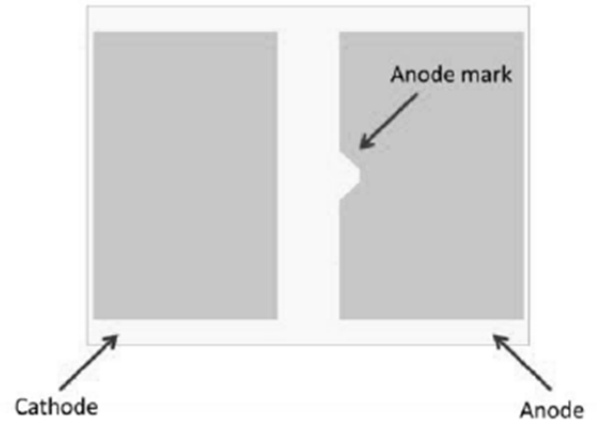


American Opto Plus LED Corp.
L108UWC-CW
1.075 x 0.825 x 0.75mm COOL WHITE POWER SMD

RECOMMENDED SOLDERING PAD PATTERN

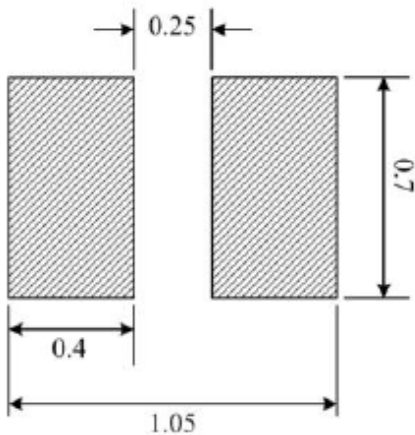


Top View

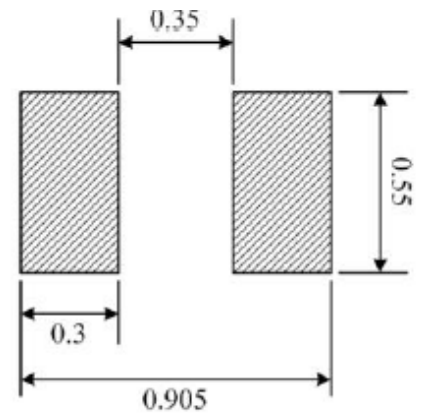


Bottom View

RECOMMENDED PCB SOLDER PAD



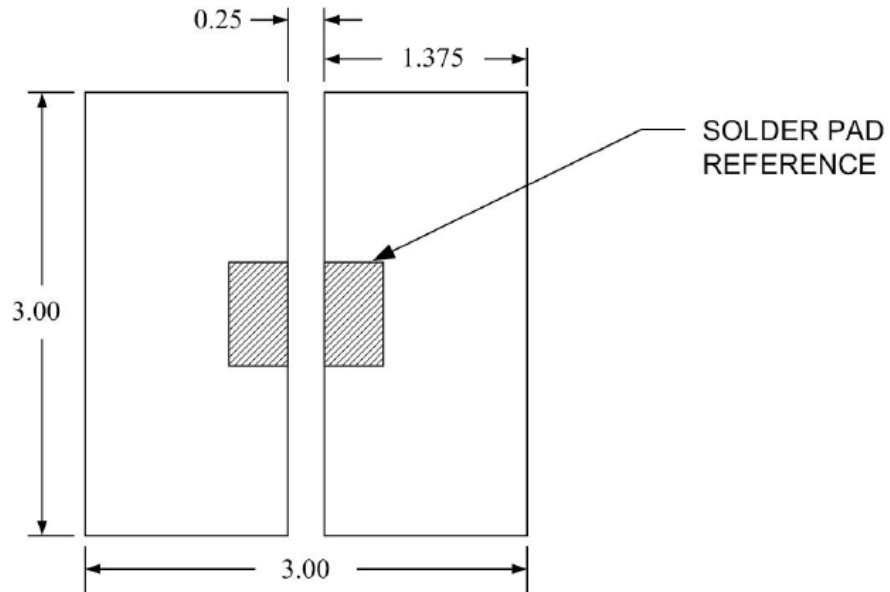
RECOMMENDED STENCIL PATTERN





American Opto Plus LED Corp.
L108UWC-CW
1.075 x 0.825 x 0.75mm COOL WHITE POWER SMD

RECOMMENDED TRACE LAYOUT



Notes:

1. All dimensions are in millimeters
2. Tolerances unless mentioned are $\pm 0.1\text{mm}$

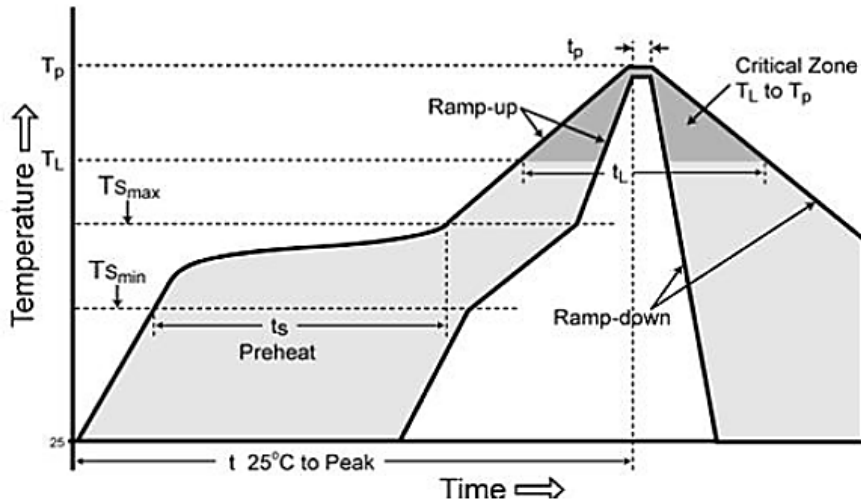


American Opto Plus LED Corp.

L108UWC-CW

1.075 x 0.825 x 0.75mm COOL WHITE POWER SMD

REFLOW SOLDERING CHARACTERISTICS



Profile Feature	Pb-Free Assembly
Average ramp-up rate (TL to TP)	3°C/second max
Preheat	
Temperature Min (T_{SMIN})	150°C
Temperature Max (T_{SMAX})	200°C
Time (min to max) (t_s)	60-180 seconds
Time maintained above:	
Temperature (TL)	217°C
Time (t_L)	60-150 seconds
Peak/Classification Temperature (T_p)	240°C
Time within 5°C of actual Peak Temperature (t_p)	20-40 seconds
Ramp-down rate	6°C/second max
Time 25°C to Peak Temperature	8 minutes max

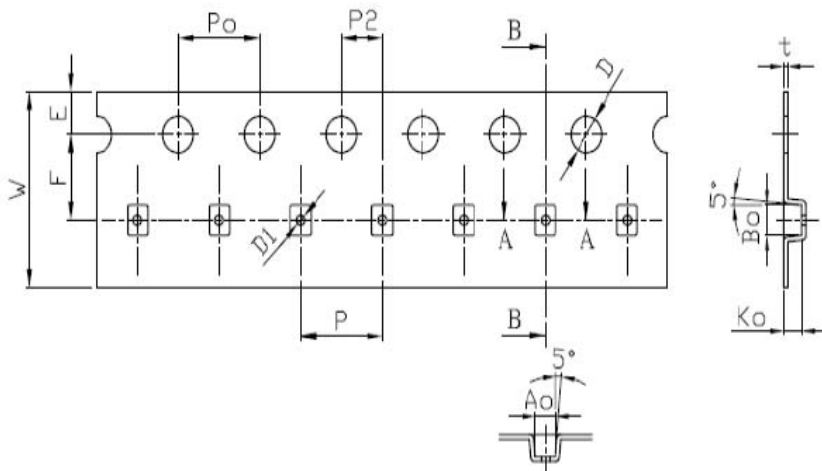
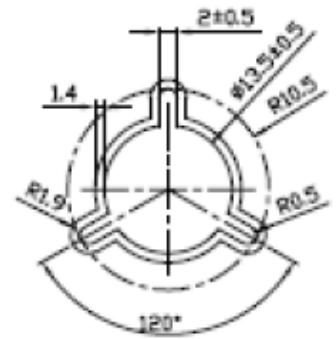
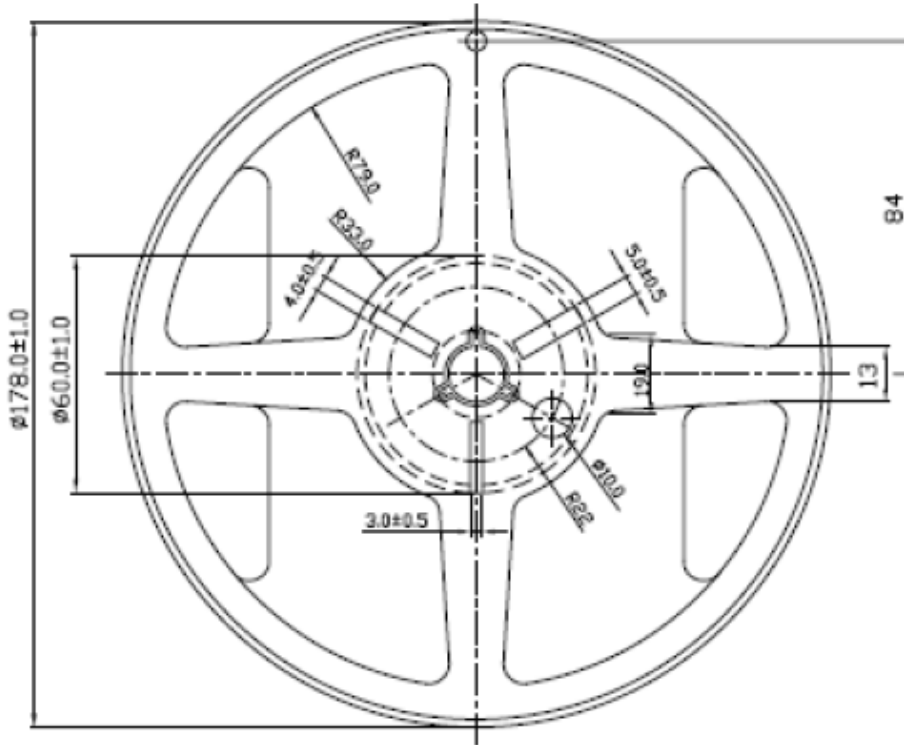


American Opto Plus LED Corp.

L108UWC-CW

1.075 x 0.825 x 0.75mm COOL WHITE POWER SMD

TAPE AND REEL PACKAGE DIMENSIONS



Symbol	Dimension	Tolerance
W	8.00	± 0.1
P	4.00	± 0.1
E	1.75	± 0.1
F	3.50	± 0.05
P2	2.00	± 0.05
D	1.50	+0.1/-0.0
D1	0.40	± 0.1
P0	4.00	± 0.1
10P0	40.00	± 0.2
A0	1.00	± 0.05
B0	1.23	± 0.05
K0	0.90	± 0.05
t	0.20	± 0.05

Note: Dimensions are in millimeters.