

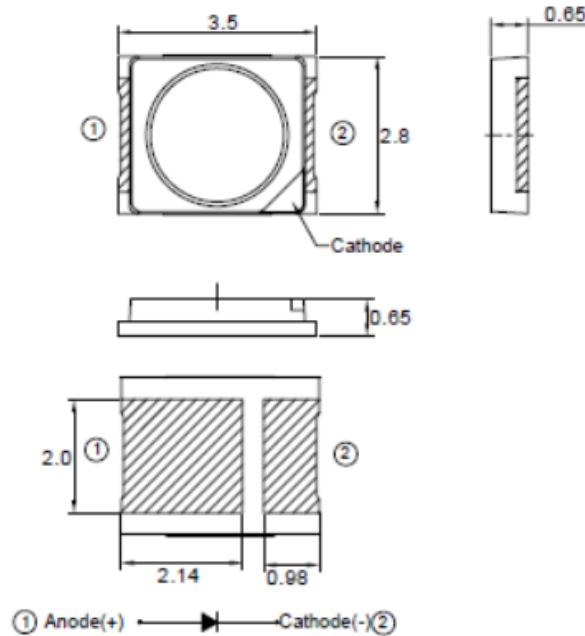


American Opto Plus LED Corp.

L955TL-MUEC-GAM

3.5x 2.8 x 0.65 mm PLCC Red SMD LED (Automotive)

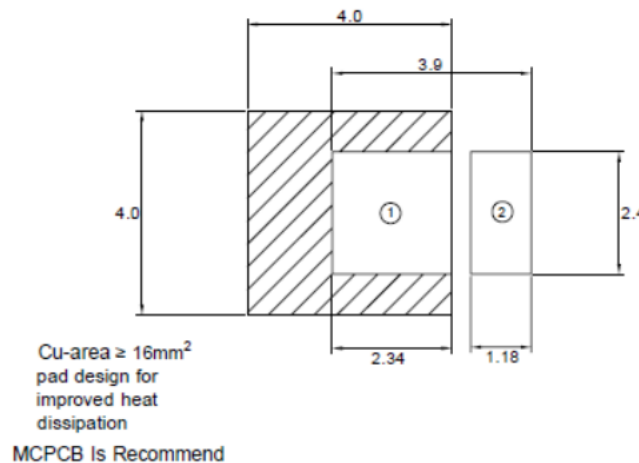
PACKAGE DIMENSION



Notes

1. All dimensions are in millimeters; tolerance is ± 0.2 mm unless otherwise noted
2. Specifications are subject to change without notice

RECOMMENDED SOLDERING PAD



Notes: All dimensions are in millimeters; tolerance is ± 0.1 mm unless otherwise noted

Material	Color	
	Emitted	Lens Color
AlGaInP	Red	Water Clear

Tentative Date: 10/18/2018 Specifications are subject to change without notice.

American Opto Plus LED Corp. 1206 E. Lexington Ave., Pomona CA 91766 Tel: 909-465-0080 Fax: 909-465-0130 www.aopled.com



American Opto Plus LED Corp.

L955TL-MUEC-GAM

3.5x 2.8 x 0.65 mm PLCC Red SMD LED (Automotive)

ABSOLUTE MAXIMUM RATINGS

(Ta=25°C)

	Symbol	Rating	Unit
Forward Current	I_F	200	mA
Forward Peak Current (1/10 duty @10kHz)	I_{FP}	400	mA
Power Dissipation	P_D	610	mW
Reverse Current @12V	I_R	5	μ A
Electrostatic Discharge	ESD	2000	V
Operating Temperature	T_{OPR}	-40~+100	°C
Storage Temperature	T_{STG}	-40~+100	°C
Thermal Resistance	$R_{th\ j-s}$	50	K/W

OPTICAL-ELECTRICAL CHARACTERISTICS

(Ta=25°C)

	Symbol	Test Condition	Rating			Unit
			Min.	Typ.	Max.	
Luminous Intensity	I_v	$I_F=150mA$	16	--	28	lm
Forward Voltage	V_f		1.75	--	3.05	V
Dominant Wavelength	λ_D		--	625	--	nm
Spectral Line Half-Width	$\Delta\lambda$		--	16	--	nm
Viewing Angle	$2\Theta_{1/2}$		--	120	--	deg

Notes:

1. The Forward voltage data did not include $\pm 0.1V$ testing tolerance
2. The luminous intensity data did not include $\pm 15\%$ testing tolerance
3. The dominant wavelength data did not including $\pm 1nm$ testing tolerance.



American Opto Plus LED Corp.

L955TL-MUEC-GAM

3.5x 2.8 x 0.65 mm PLCC Red SMD LED (Automotive)

LUMINOUS INTENSITY CLASSIFICATION

Bin Code	Iv(lm) at 150mA	
	Min.	Max.
F16D	16	18
F18D	18	20
F20D	20	22
F22D	22	24
F24D	24	26
F26D	26	28

FORWARD VOLTAGE CLASSIFICATION

Bin Code	VF(V) at 150mA	
	Min.	Max.
1	1.75	1.90
2	1.90	2.05
3	2.05	2.20
4	2.20	2.35
5	2.35	2.50
6	2.50	2.65
7	2.65	2.80
8	2.80	2.95
9	2.95	3.05

Tentative Date: 10/18/2018 Specifications are subject to change without notice.

American Opto Plus LED Corp. 1206 E. Lexington Ave., Pomona CA 91766 Tel: 909-465-0080 Fax: 909-465-0130 www.aopled.com



American Opto Plus LED Corp.

L955TL-MUEC-GAM

3.5x 2.8 x 0.65 mm PLCC Red SMD LED (Automotive)

TYPICAL ELECTRICAL-OPTICAL CHARACTERISTIC CURVES

Fig.1 Forward current vs. Forward Voltage

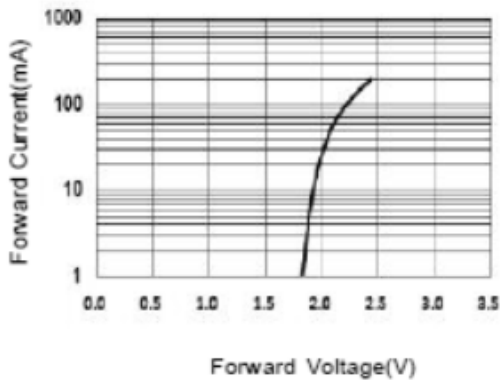


Fig.2 Luminous Intensity vs. Forward Current

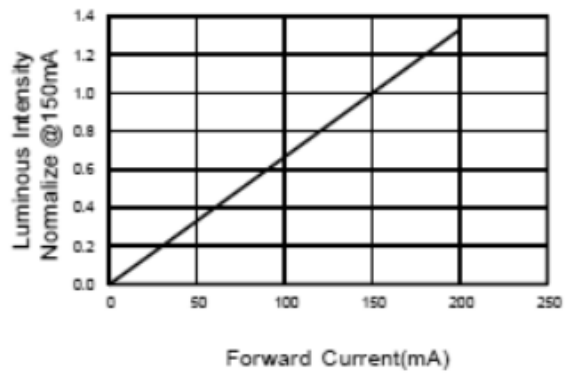


Fig.3 Forward Current vs. Temperature

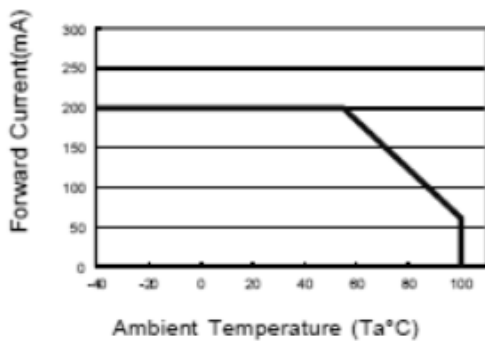


Fig.4 Luminous Intensity vs. Temperature

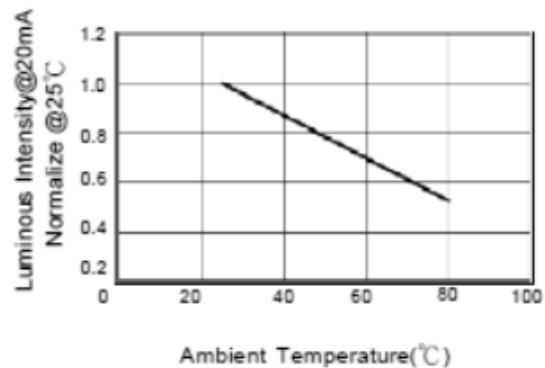


Fig.5 Relative Intensity vs. Wavelength

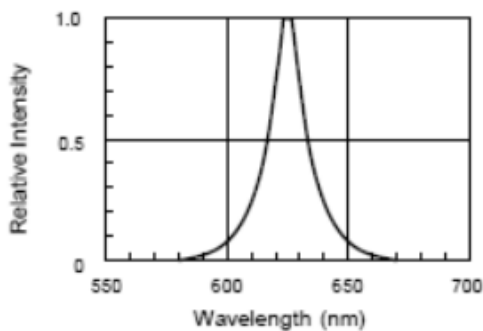
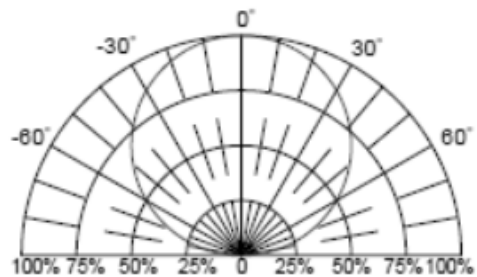


Fig.6 Directive Radiation



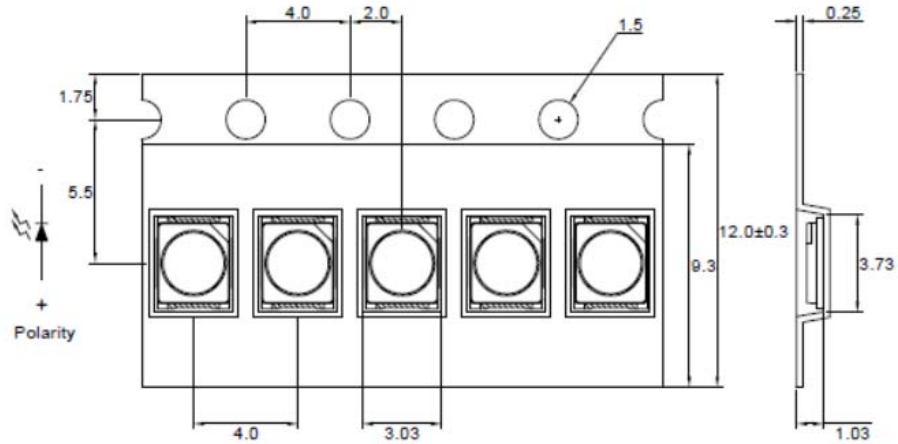


American Opto Plus LED Corp.

L955TL-MUEC-GAM

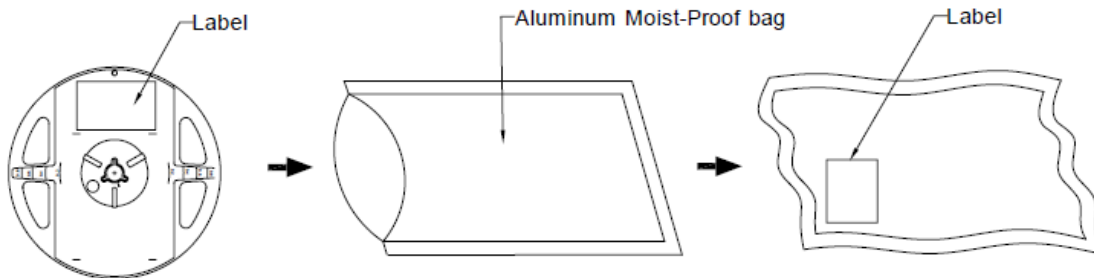
3.5x 2.8 x 0.65 mm PLCC Red SMD LED (Automotive)

CARRIER TAPE DIMENSION



Note : Tolerance is ± 0.1 mm, Angle ± 0.5 Unit mm.

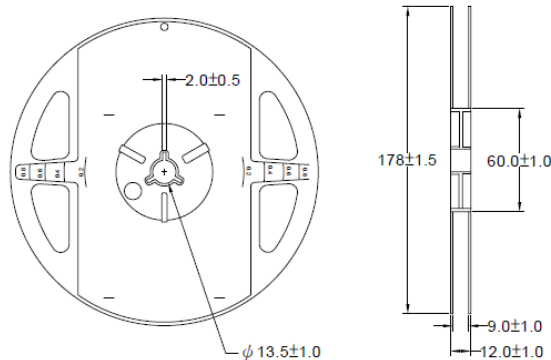
PACKING SPECIFICATIONS



Notes:

1. 12mm tape
2. 7inch reel

REEL DIMENSIONS



Notes: 2,000pcs / Reel

Tentative Date: 10/18/2018 Specifications are subject to change without notice.

American Opto Plus LED Corp. 1206 E. Lexington Ave., Pomona CA 91766 Tel: 909-465-0080 Fax: 909-465-0130 www.aopled.com

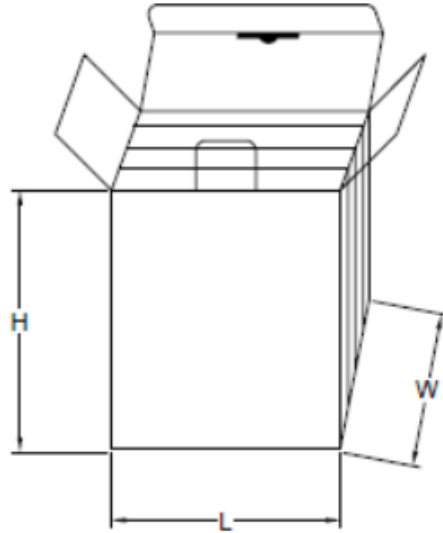


American Opto Plus LED Corp.

L955TL-MUEC-GAM

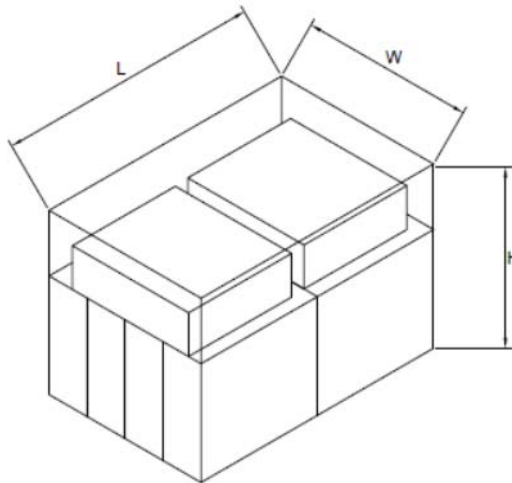
3.5x 2.8 x 0.65 mm PLCC Red SMD LED (Automotive)

BOX EXPLANATION



NOTES:

1. 4 BAG / INNER BOX
2. Inner box size : L X W X H 23cm X 8.5cm x 26cm



NOTES:

1. 10 INNER BOXES / CARTON
2. Carton size : L X W X H 58cm X 34cm x 35cm



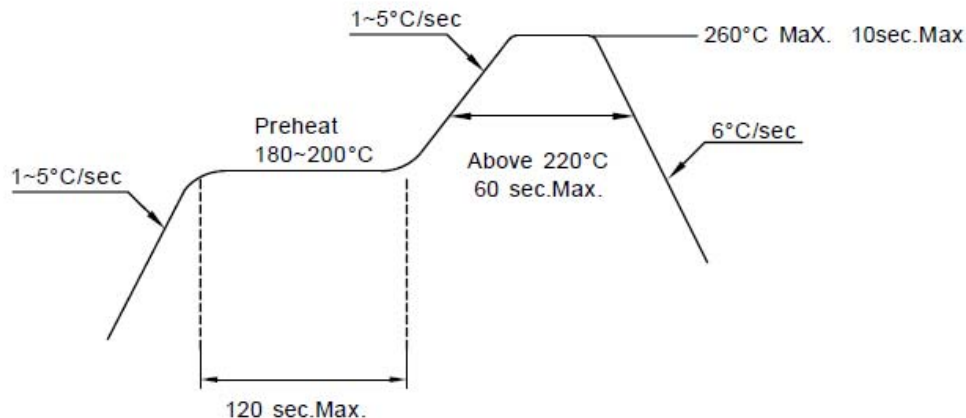
American Opto Plus LED Corp.

L955TL-MUEC-GAM

3.5x 2.8 x 0.65 mm PLCC Red SMD LED (Automotive)

RECOMMENDED SOLDERING CONDITION

1. Hand Solder
Basic spec is $\leq 320^{\circ}\text{C}$ for 3 seconds one time only
2. PB-Free Reflow Solder



Notes:

1. Reflow soldering should not be done more than 2 times
2. When soldering, do not put stress on the LEDs during heating
3. After soldering, do not warp the circuit board

PRECAUTION

Storage Time:

1. Calculated shelf life before opening is 12 months at $< 30^{\circ}\text{C}$ and $< 90\%$ relative humidity (RH)
2. After bag is opened, devices which will be subjected to reflow soldering or other high temperature processes must be
 - a. Assembled within 168 hours in an environment of $\leq 30^{\circ}\text{C}/60\%$ RH or
 - b. Stored at ambient of 10% RH or less
3. Devices are required baking before assembly if:
 - a. Humidity indicator card reads $> 10\%$ (for level 2a-5a) or $> 60\%$ (for level 2) at ambient temperature $23\pm 5^{\circ}\text{C}$
 - b. 2.a) or 2.b) doesn't meet
4. If baking is required, devices should be baked for > 72 hours at $60\pm 5^{\circ}\text{C}/5\%$ RH. Performing baking only once and using baked devices within 72 hours
5. MSL Level 3



American Opto Plus LED Corp.

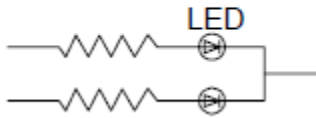
L955TL-MUEC-GAM

3.5x 2.8 x 0.65 mm PLCC Red SMD LED (Automotive)

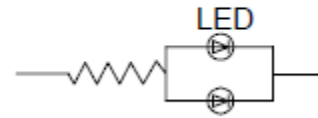
Drive method:

LED is a current operated device and therefore require some kind of current limiting incorporated into the driver circuit. This current limiting typically takes the form of a current limiting resistor places in series with the LED. Consider worst case voltage variations than could occur across the current limiting resistor. The forward current should not be allowed to change by more than 40% of its desired value

Circuit model A



Circuit model B



- Recommended circuit
- The difference of brightness between LED could be found due to the VF-IF characteristics of LED

Cleaning:

- Use alcohol based cleaning solvents such as isopropyl alcohol to clean the LED

Electrostatic Discharge(ESD)

- Static electricity or power surge will damage the LED. Use of a conductive wrist band or anti-electrostatic glove is recommended when handling these LED. All devices, equipment and machinery must be properly grounded