

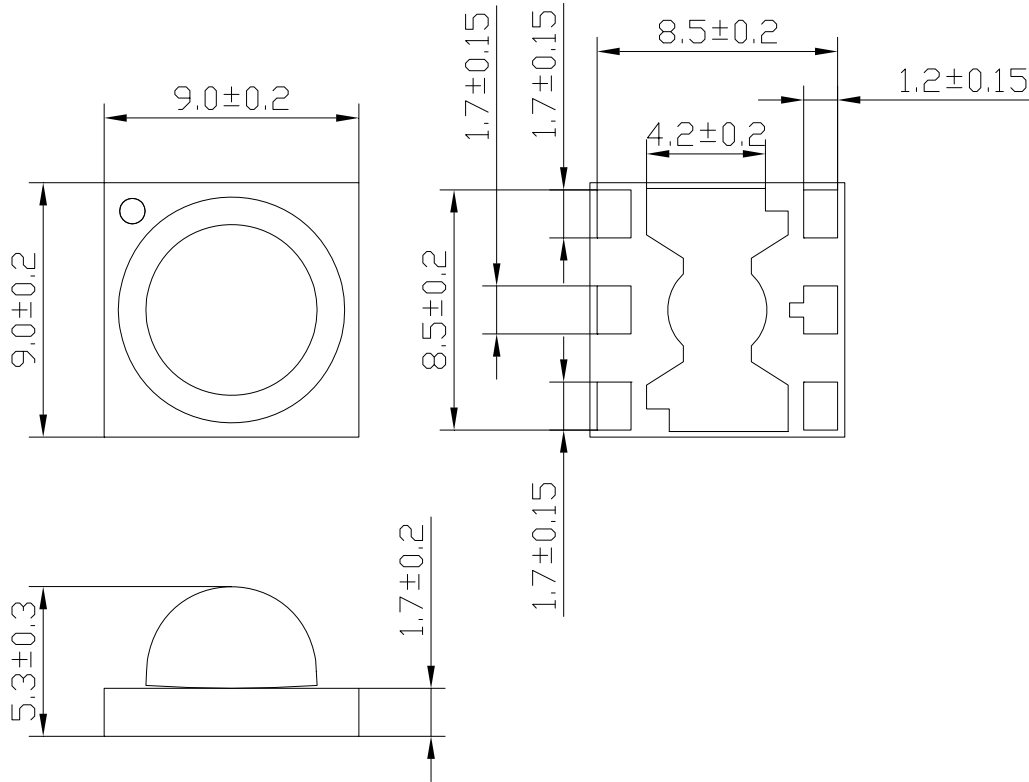


American Opto Plus LED Corp.

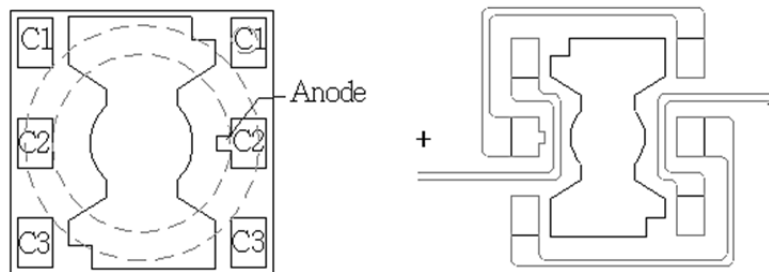
L999-UV415

9.0 x 9.0 x 5.3 mm Dome Lens UV SMD LED

PACKAGE OUTLINES



PAD CONFIGURATION



Part Number	Chip Material	Peak Wavelength	Viewing Angle
L990-UV415	InGaN	415nm	70°



American Opto Plus LED Corp.

L999-UV415

9.0 x 9.0 x 5.3 mm Dome Lens UV SMD LED

ABSOLUTE MAXIMUM RATINGS

(Ta=25°C)

Parameter	Symbol	Value	Unit
Forward Current	I_F	700	mA
Forward Pulse Current*	I_{FP}	1000	mA
Power Dissipation	P_D	9	W
Thermal Resistance, Junction-Case	$R_{th, J-C1}$	3.3	°C/W
LED Junction Temperature	T_J	125	°C
Operating Temperature Range	T_{OPR}	-40~+80	°C
Storage Temperature Range	T_{STG}	-40~+120	°C
Soldering Condition	T_{SOL}	260°C for 5 seconds	

*Note: Forward Pulse Current=1/10 Duty Cycle, 400msec Pulse Width

OPTICAL-ELECTRO CHARACTERISTICS

(Ta=25°C)

Parameter	Test Condition	Symbol	Min	Typ	Max	Unit
Forward Voltage	$I_F=700mA$	V_F	--	11.2	--	V
Radiant Flux		Φ_e	1275	1800	--	mW
Peak Wavelength		λ_P	--	415	--	Nm
Spectra Half-Width		$\Delta\lambda$	--	15	--	Nm



American Opto Plus LED Corp.

L999-UV415

9.0 x 9.0 x 5.3 mm Dome Lens UV SMD LED

CHARACTERISTIC DIAGRAM

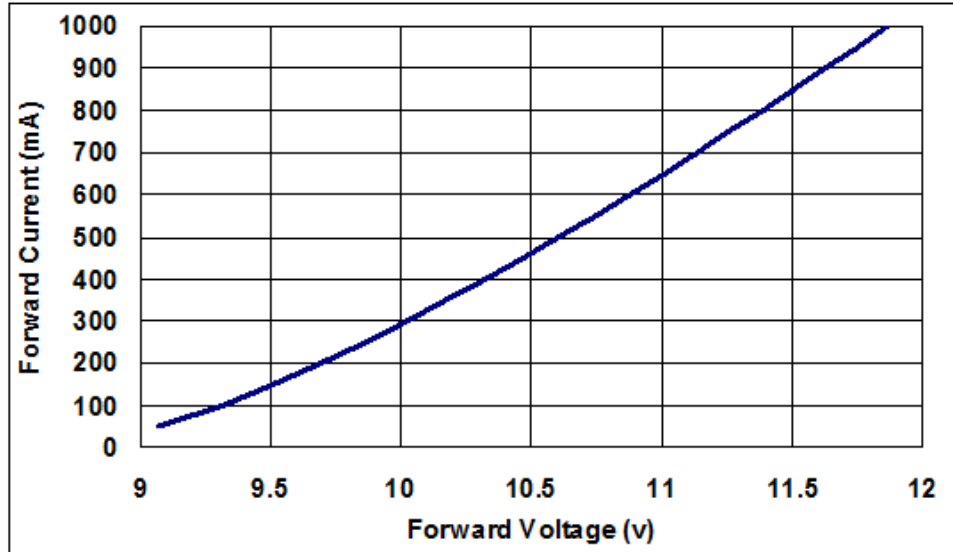


Fig. Forward Current vs. Forward Voltage

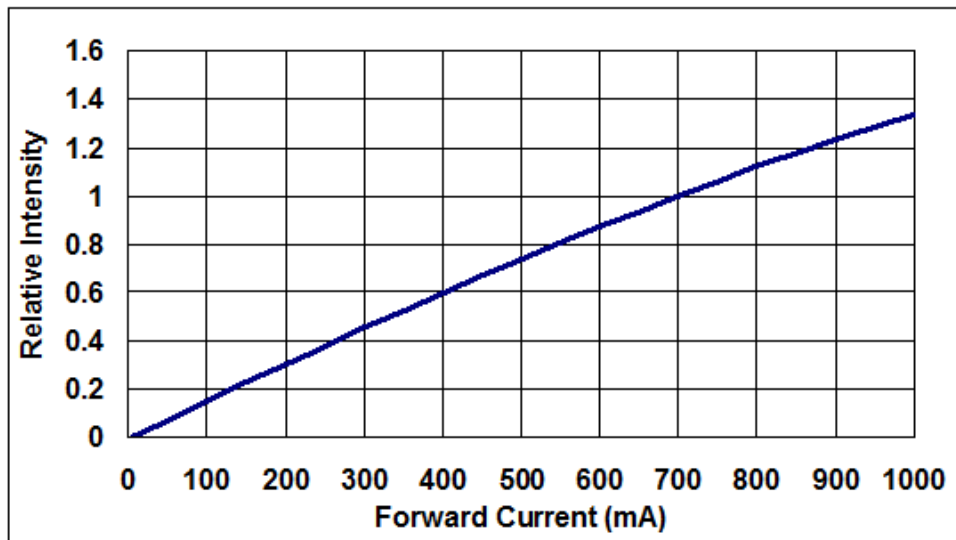


Fig. Relative Intensity vs. Forward Current



American Opto Plus LED Corp.

L999-UV415

9.0 x 9.0 x 5.3 mm Dome Lens UV SMD LED

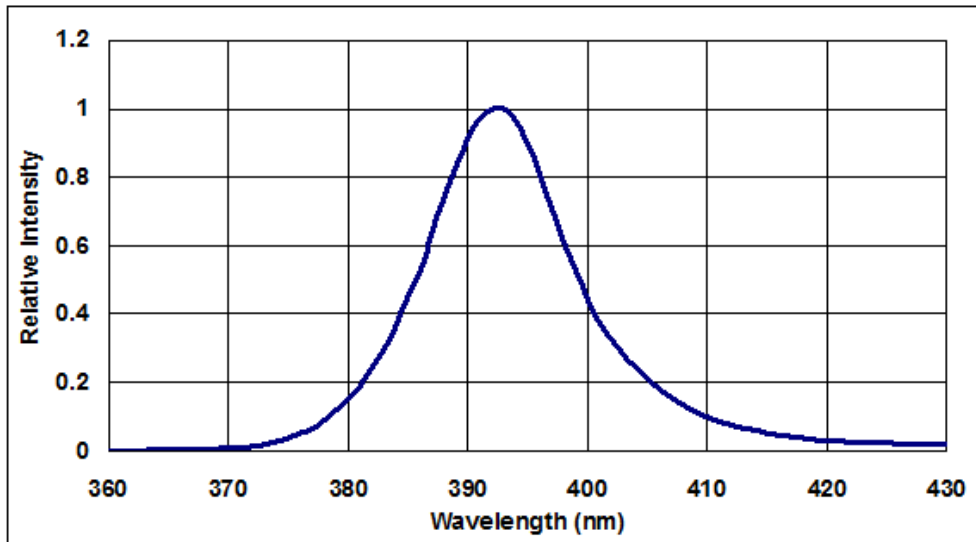


Fig. Typical Relative Intensity vs. wavelength

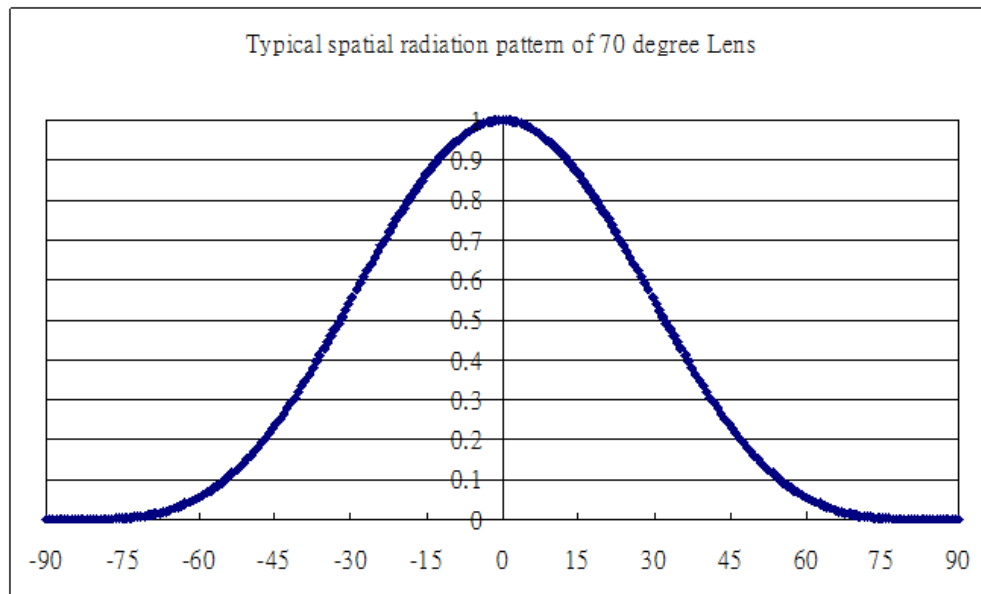


Fig. (70° Lens) Typical Representative Spatial Radiation Pattern

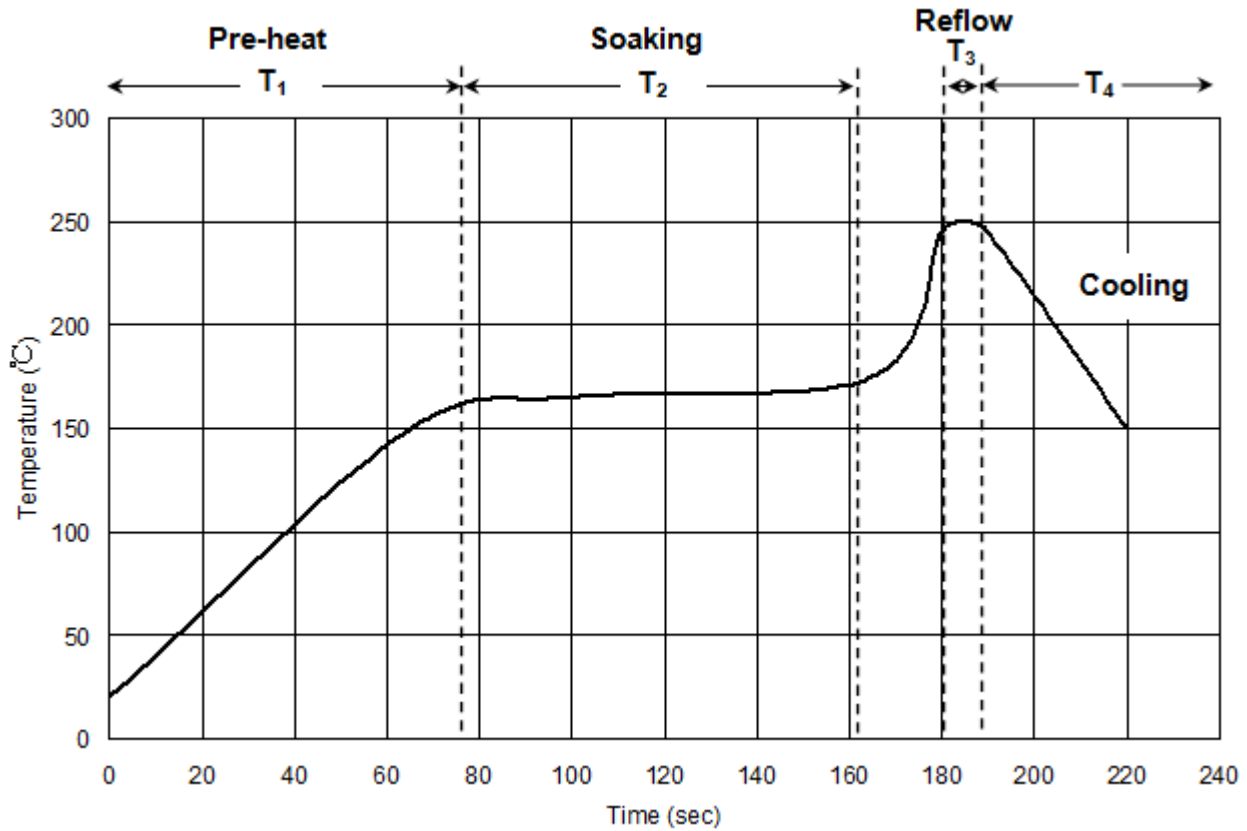


American Opto Plus LED Corp.

L999-UV415

9.0 x 9.0 x 5.3 mm Dome Lens UV SMD LED

REFLOW SOLDERING CHARACTERISTICS



T1	Ramp up rate	1.0~3.0 °C/sec
	Pre-heat time	50~80 sec
T2	Soaking temperature	155~185 °C
	Dwell time during soaking	60~120 sec
T3	Reflow temperature	240~250 °C
	Reflow time	Max 10 sec
T4	Ramp up rate during reflow	1.2~2.3 °C/sec
	Cooling	1.0~6.0 °C.sec

Note: suggest using Sn96Ag3Cu0.5 lead free solder

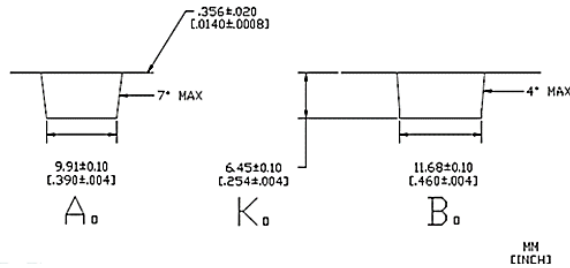
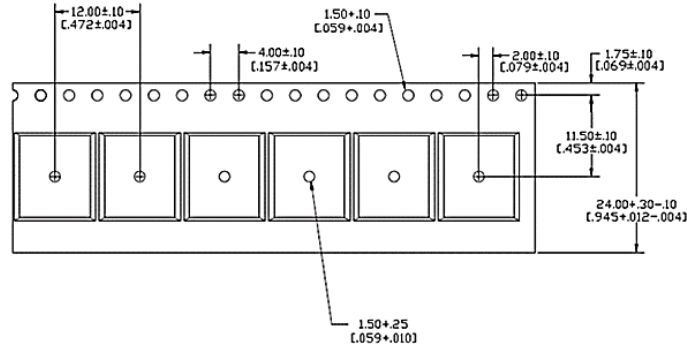


American Opto Plus LED Corp.

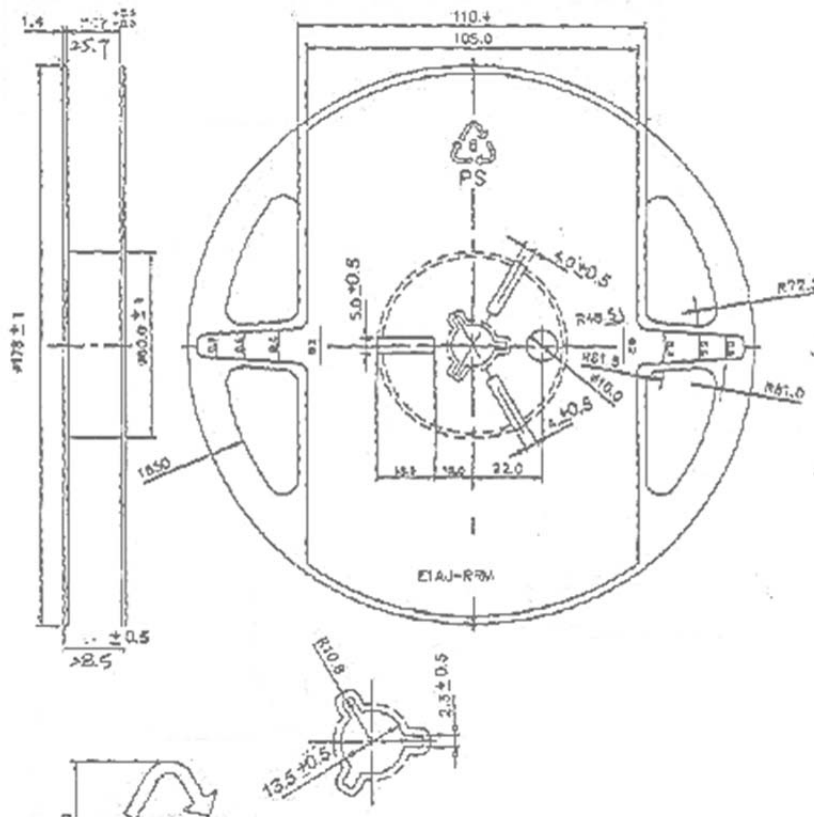
L999-UV415

9.0 x 9.0 x 5.3 mm Dome Lens UV SMD LED

SHIPPING PACKAGE DIMENSIONS



MM
(INCH)



- 150 (Max)/Reel



American Opto Plus LED Corp.

L999-UV415

9.0 x 9.0 x 5.3 mm Dome Lens UV SMD LED

RELIABILITY TEST

Classification	Test Item	Test conditions	Reference Standard
Endurance Test	Operation Life	$I_f = 700\text{mA}$ $T_a = 25^\circ\text{C}$ Test Duration = 1000hrs	MIL-STD-750: 1026 MIL-STD-883: 1005 JIS C 7021: B-1
	High Temperature High Humidity Storage	$I_f = 700\text{mA}$ $T_a = 85 \pm 5^\circ\text{C}$ RH = 85 \pm 5% Test Duration = 1000hrs	MIL-STD-202: 103B JIS C 7021: B-11
	High Temperature Storage	$T_a = 105 \pm 5^\circ\text{C}$ Test Duration = 1000hrs	MIL-STD-202: 1008 JIS C 7021: B10
	Low Temperature Storage	$T_a = -40 \pm 5^\circ\text{C}$ Test Duration = 1000hrs	JIS C 7021: B-12
Environmental Test	Temperature Cycling	$-40^\circ\text{C} \sim 25^\circ\text{C} \sim 105^\circ\text{C} \sim 25^\circ\text{C}$ 30min 5min 30min 5min Test Duration = 10 cycle	MIL-STD-202: 107D MIL-STD-750: 1051 MIL-STD-883: 1010 JIS C 7021: A-4
	Thermal Shock	$-55 \pm 5^\circ\text{C} \sim 105 \pm 5^\circ\text{C}$ 30min 30min Test Duration = 10 cycle	MIL-STD-202: 107D MIL-STD-750: 1051 MIL-STD-883: 1011
	Solder Resistance	$T_{\text{sol}} = 260 \pm 5^\circ\text{C}$ Dwell Time = 10sec	MIL-STD-202: 210A MIL-STD-750: 2031 JIS C 7021: A-1
Measuring Items	Symbol	Measuring Conditions	Failure Criteria
Forward voltage	V_f	$I_f = 700\text{mA}$	V_f shift > 10%
Luminous	$I_v\%$	$I_f = 700\text{mA}$	$I_v\%$ shift > 10%