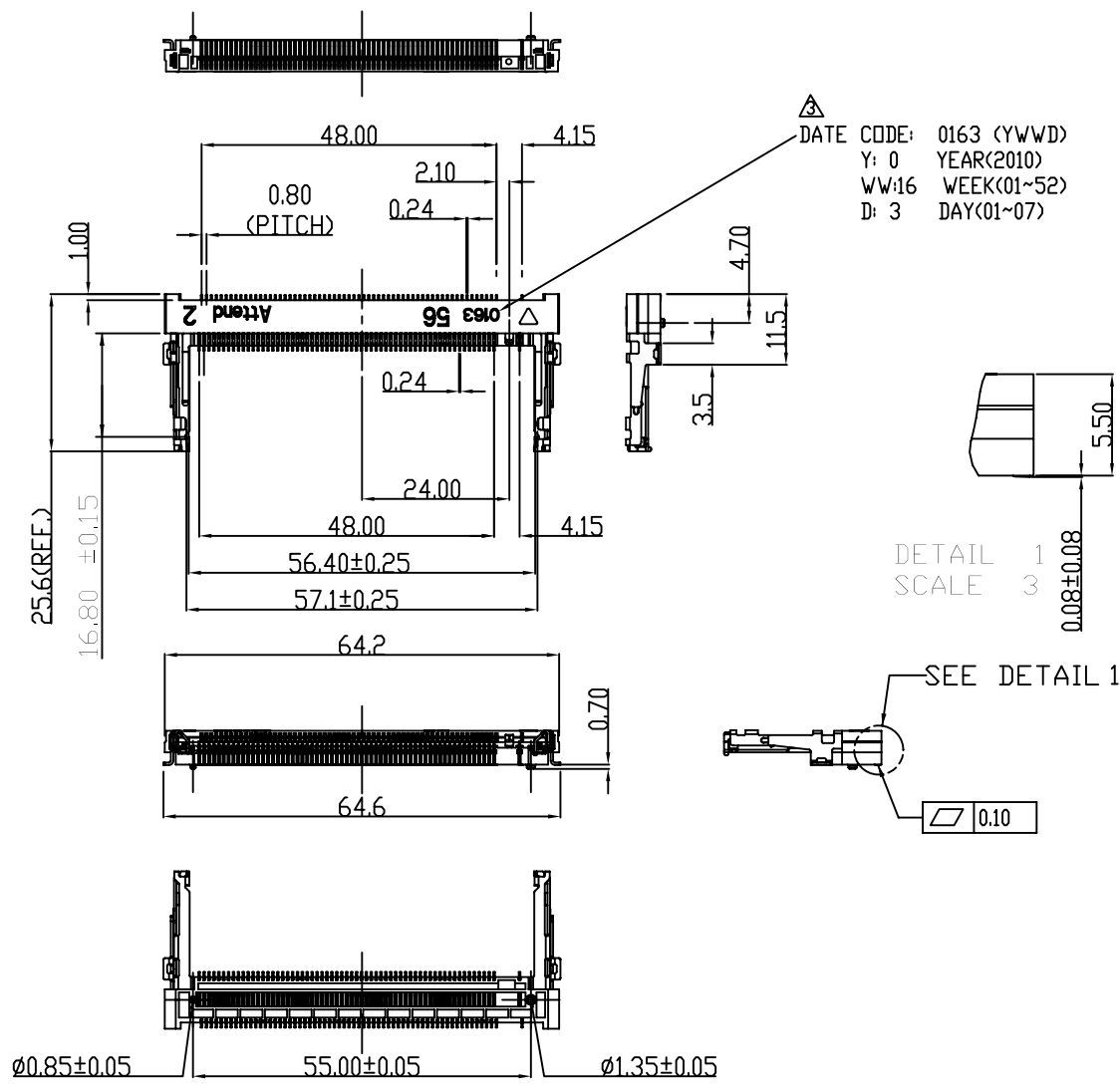


PRODUCT NO.	ITEM	PART NAME	Q'TY	MATERIAL	PLATING
114B-56B00-R02	1	BODY	1	LCP	
	3	CONTACT	124	PHOSPHOR BRONZE	GOLD 3u'
	4	LATCH	2	STAINLESS	



DATE CODE: 0163 (YWWD)
 Y: 0 YEAR(2010)
 WW:16 WEEK(01~52)
 D: 3 DAY(01~07)

Plastic Body : LCP, Color Black.
 Contact: Phosphor Bronze Alloy (C5191R-H)
 Contact area: Gold 3 micro inches
 Solder area: Matte Tin
 All under-plated Ductile Nickel 50 micro inches (Min.)
 Latch : SUS304R-1/2H, Matte Tin Plated
 Contact Resistance: 30 mΩ (Max)
 Insulation Resistance: 500 MΩ (Max.)
 Dielectric Withstanding Voltage:
 Mate connectors; apply 250V AC at 60 Hz(rms.)
 Contact Normal Force: 50 gf per pin (Min.)
 soldering heat: 260°C
 Rating Voltage: 25V AC
 Rating Current: 0.3A(Max.)/(1PIN)
 Operating Temperature: -40°C to +90°C
 Storage Temperature: -40°C to +90°C

114B-56 B 0 0-R02
 1 2 3 4

- 1.Stand off
s/o:5.6mm
- 2.Contact Plating
B:3u' Gold Plating
- 3.Color
0:Black
- 4.RoHS

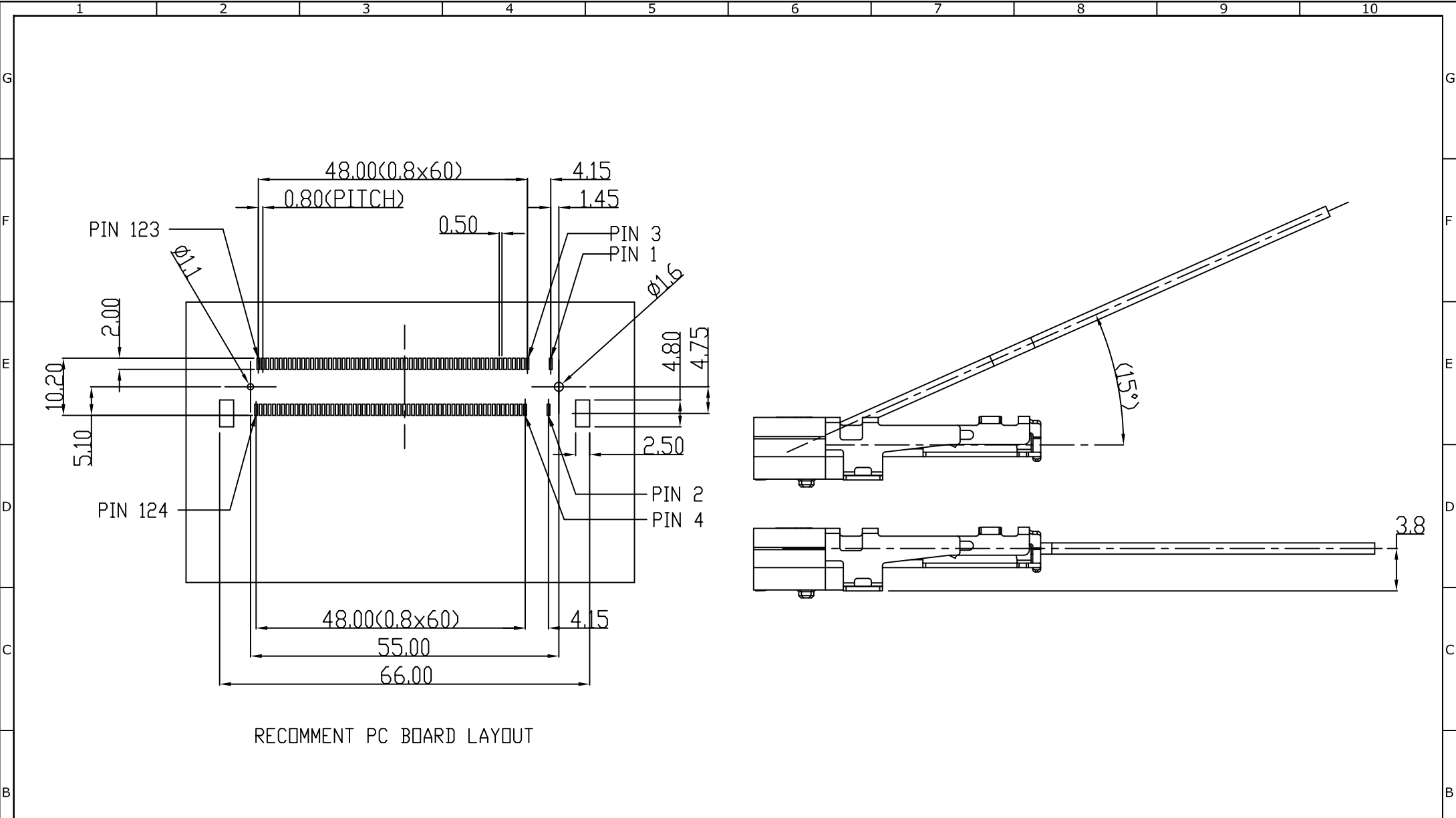
REV.	DESCRIPTION	DATE	REV.	DESCRIPTION	DATE	SIZE	REV.	FILE NAME
1			2			A4	1.0	114B-56B00-R02_B_6
3			3					
4			4					
5			5					
6			6					
7			7					
8			8					
9			9					
10			10					

UNLESS OTHERWISE SPECIFIED TOLERANCE		
ANGLES	ANG.	±5°
LINEAR	0.	±0.3
	0.0	±0.25
	0.00	±0.20
SCALE	AS SHOWN	UNIT: mm
DRAWN	Willis	2012/08/03
CHECKED	Angel	2012/08/03
APPROVED	Ken	2012/08/03


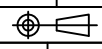


www.attend.com.tw
 DRAWN NAME: Mini PCI Socket H:5.6, Metal Grounding Type
 PRODUCT NO. 114B-56B00-R02
 FILE NAME 114B-56B00-R02_B_6

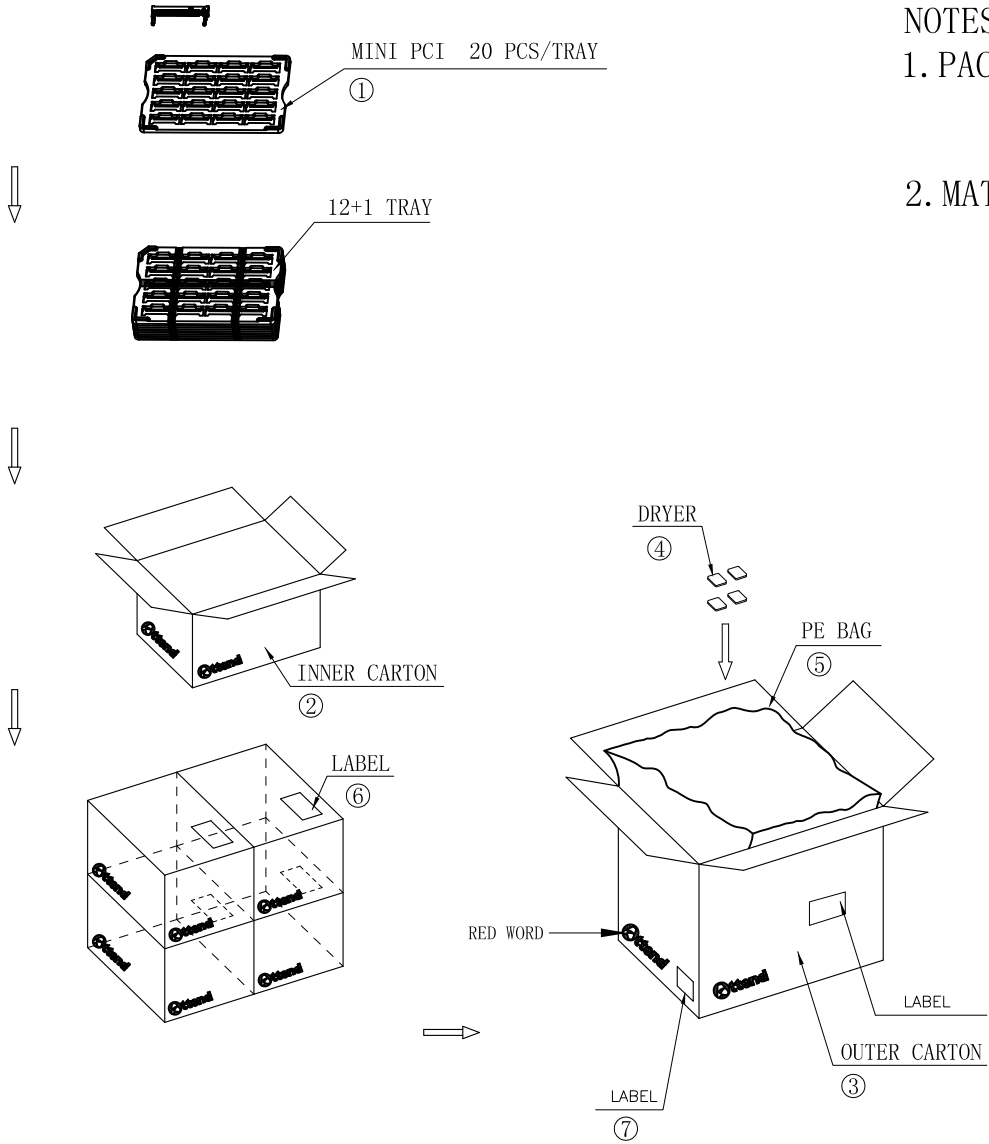
A
A
A
A
A
A
A
A
A
A



RECOMMEND PC BOARD LAYOUT


				UNLESS OTHERWISE SPECIFIED TOLERANCE			 www.attend.com.tw	
				ANGLES	ANG.	±5°		
				LINEAR	0.	±0.3	DRAWN NAME: Mini PCI Socket H:5.6, Metal Grounding Type	
					0.00	±0.25		
				SCALE	AS SHOWN	UNIT: mm	PRODUCT NO. 114B-56B00-R02	
				DRAWN	Willis	2012/08/03		
				CHECKED	Angel	2012/08/03	FILE NAME 114B-56B00-R02_B_6	
				APPROVED	Ken	2012/08/03		
REV.	DESCRIPTION	DATE	REV.	DESCRIPTION	DATE	 SIZE A4	REV. 1.0	
1								
2								
3								
4								
5								
6								
7								
8								
9								
10								

3	Revise: Date Code	2010/04/30
2	Revise: Latch Matte Tin Plated	2009/09/28
1	Revise: Layout Peg	2009/07/06



NOTES:
 1. PACKING STYLE 20 PCS/TRAY
 240 PCS/INNER CARTON
 960 PCS/OUTER CARTON
 2. MATERIAL TRAY:PET

7	LABEL	1	PCS	
6	LABEL	4	PCS	
5	PE BAG	1	PCS	
4	DRYER	4	BAG	
3	OUTER CARTON	1	PCS	
2	INNER CARTON	4	PCS	
1	TRAY	20	48+4	PCS
		960		
NO.	PACKING NAME	PCS/T	T/CTN.	UNIT
		PACKING	QTY	NOTE

UNLESS OTHERWISE SPECIFIED TOLERANCE			 www.attend.com.tw
ANGLES	ANG.	±5°	
	0.	±0.3	
LINEAR	0.0	±0.25	
	0.00	±0.20	
SCALE	AS SHOWN	UNIT: mm	
DRAWN	Willis	2012/08/03	DRAWN NAME:
CHECKED	Angel	2012/08/03	Mini PCI Socket H:5.6,Metal Grounding Type
APPROVED	Ken	2012/08/03	PRODUCT NO.
			114B-56B00-R02
REV.	DESCRIPTION	DATE	REV.
1			1.0
			FILE NAME
			114B-56B00-R02_D_3