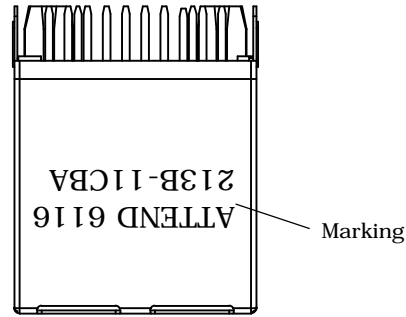


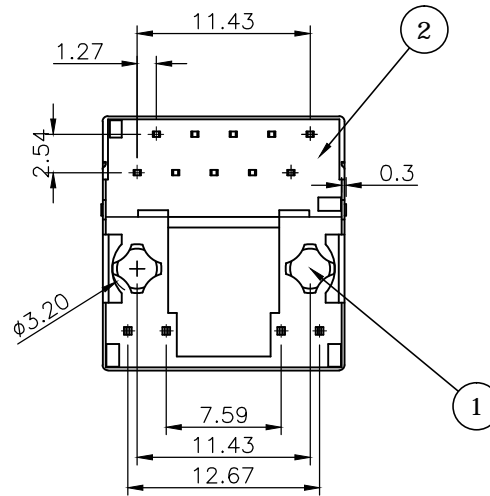
REV.	DESCRIPTION	DRAWN	DATE
1	INITIAL RELEASE	FROS	2016/03/18



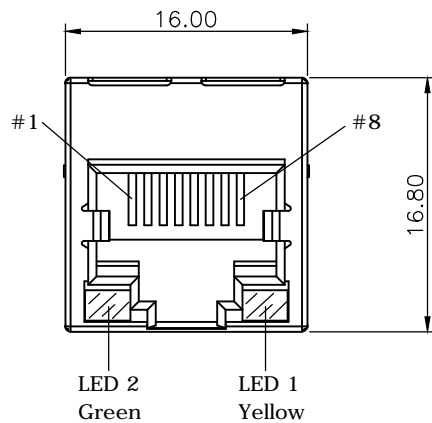
Marking

Marking:

ATTEND: Logo
 6116: Date Code (YWWD)
 213B-11CBA: Part Number

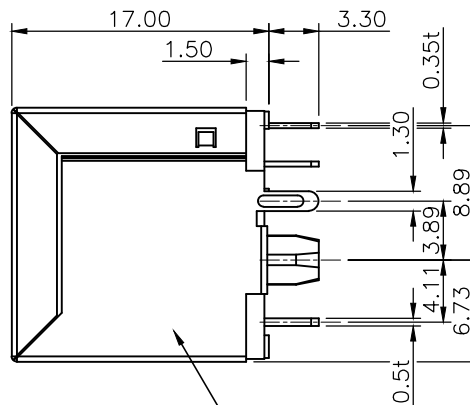


Bottom View



LED 2
Green

LED 1
Yellow



3

Notes:

Characterization Description:

1. RJ45 1000 Transformer Jack With Transformer Impedance Resistor/High Voltage Capacitor.
2. Size Same As RJ-45 Modular Jack To Save PCB Space.
3. Reduce EMI Radiation, Improve EMI Performance.
4. Designed For Network Interface Card Application.
5. Designed To Meet IEEE 802.3u Requirement.

Electrical Specifications:

1. Inductance at 100KHz, 100mV 8mADC Bias: 350uH Min.
2. Leakage Inductance 0.4uH Max. at 100KHz 100mV
3. Insertion Loss: 1.1dB Max. at 1 to 100MHz
4. Return Loss: 18dB Min. at 1 to 30MHz
16dB Min. at 30 to 60MHz
12dB Min. at 60 to 80MHz
5. Cross Talk: 1 to 100MHz 30dB Min.
6. Common Mode Rejection: 30dB Min. at 1 to 100MHz
7. Isolation Voltage at 60Hz: 1500Vrms (Input to Output) 60 Seconds

Mechanical:

1. Operating Life : 750 Cycles Min.

Environmental:

1. Storage: -40°C to +85°C.
 2. Operation: -40°C to +85°C.
 3. Soldering Temperature: 260±5°C, 10 Seconds
- Mates With Modular Plug Conforming To TIA-1096-A

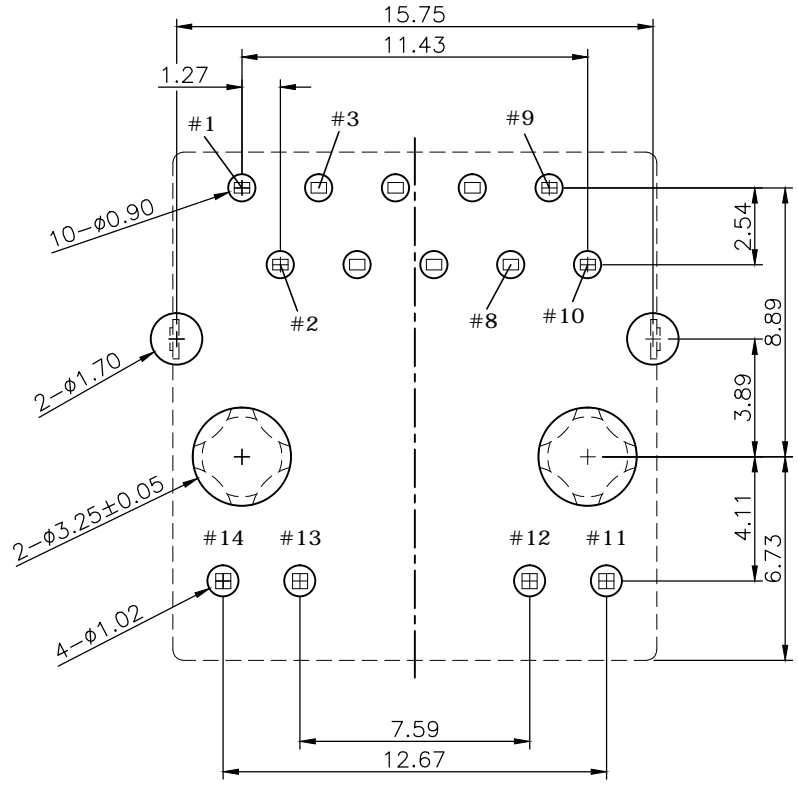


3	SHELL	Brass C2680 0.2t, Nickel plating	
2.3	PCBA	FR-4, 0.5t	
2.2	CONTACT	Phosphor Bronze C5210 0.35t, 5u" Gold plating over Nickel	
2.1	INSULATOR	Zytel HTNFR52, UL94V-0, Black	
2	INSERT	Assembly	
1	HOUSING	Zytel HTNFR52, UL94V-0, Black	
UNLESS OTHERWISE SPECIFIED TOLERANCE			
UNIT:	DECIMAL	LINEAR	ANGLES
	X.	±0.50	±5°
	X.X	±0.25	±3°
	X.XX	±0.12	±1°
DRAWN		Fros	2016/03/18
CHECKED		Amy	2016/03/18
APPROVED		Ken	2016/03/18
SCALE		SHEET	SIZE
2/1		1/2	A4
DRAWN NAME:		RJ45 Jack Magnetic Giga Type 1x1 Port, Vertical, with LED, 5u"	
PRODUCT NO.		213B-11CBA	
FILE NAME		213B-11CBA_B_1	

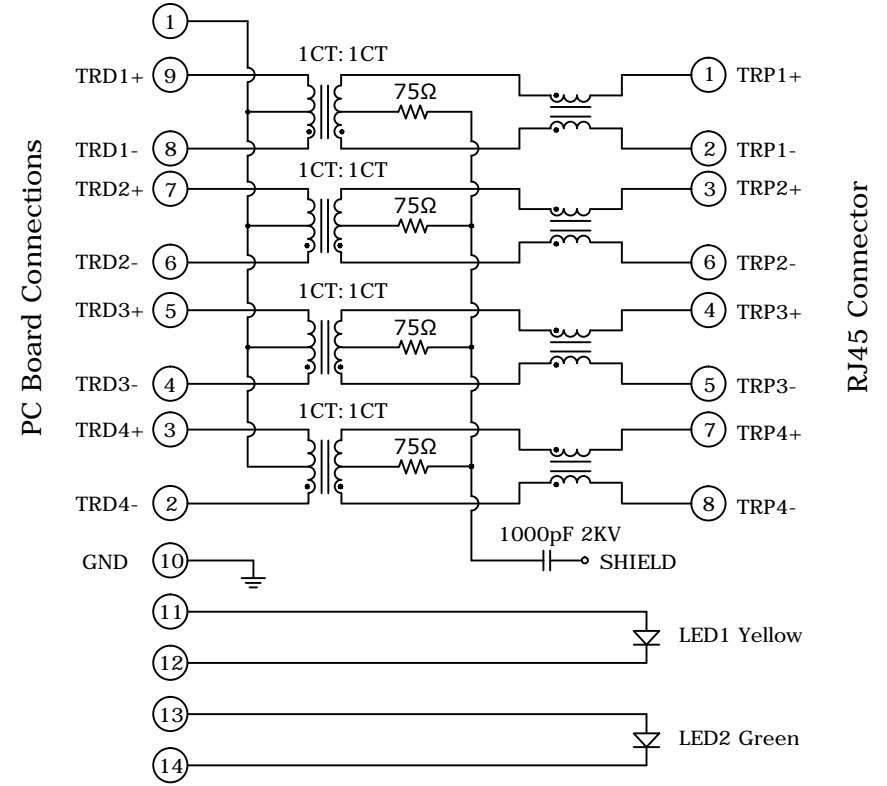


WWW.ATTEND.COM.TW


REV.	DESCRIPTION	DRAWN	DATE
	see sheet one		



Recommended Layout (Top View)
General Tolerance: ±0.1mm



Schematic: GIGA (Type3)

UNLESS OTHERWISE SPECIFIED TOLERANCE				 WWW.ATTEND.COM.TW					
UNIT:	DECIMAL	LINEAR	ANGLES			DRAWN NAME: RJ45 Jack Magnetic Giga Type 1x1 Port, Vertical, with LED, 5u"			
mm	X.	±0.50	±5°					DRAWN Fros 2016/03/18	
	X.X	±0.25	±3°						
	X.XX	±0.12	±1°	APPROVED Ken 2016/03/18					
SCALE		SHEET	SIZE			PRODUCT NO. 213B-11CBA FILE NAME 213B-11CBA_B_1			
4/1		2/2	A4						