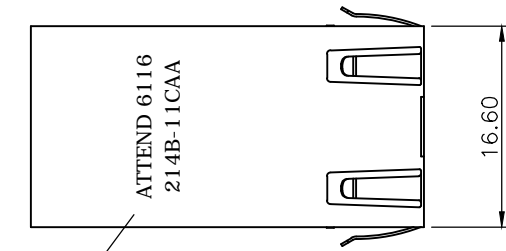


REV.	DESCRIPTION	DRAWN	DATE
1	INITIAL RELEASE	FROS	2016/03/18



Marking

Marking:
ATTEND: Logo
6116: Date Code (YWWDD)
214B-11CAA: Part Number

Notes:

Characterization Description:

1. RJ45 GIGA+PoE Base-Tx Transformer Jack With Transformer Impedance Resistor/High Voltage Capacitor.
2. Size Same As RJ-45 Modular Jack To Save PCB Space.
3. Reduce EMI Radiation, Improve EMI Performance.
4. Designed For Network Interface Card Application.
5. Designed To Meet IEEE 802.3u Requirement.
6. Designed For 1000+ PoE Base Transmission over UTP-5 Cable.

Electrical Specifications:

1. Inductance At 100KHz, 100mV 8mADC Bias: 350uH Min.
2. Leakage Inductance 0.3uH Max. at 100KHz 100mV
3. Insertion Loss: 1.1dB Max. at 1 to 100MHz
4. Return Loss: 18dB Min. at 1 to 30MHz
16dB Min. at 30 to 60MHz
12dB Min. at 60 to 80MHz
5. Cross Talk: 1 to 100MHz 30dB Min.
6. Common Mode Rejection: 30dB Min. at 1 to 100MHz
7. Isolation Voltage at 60Hz: 1500Vrms (input to output) 60 Seconds
8. Voltage Rating: 30VDC.
9. Current Rating: 350mADC.

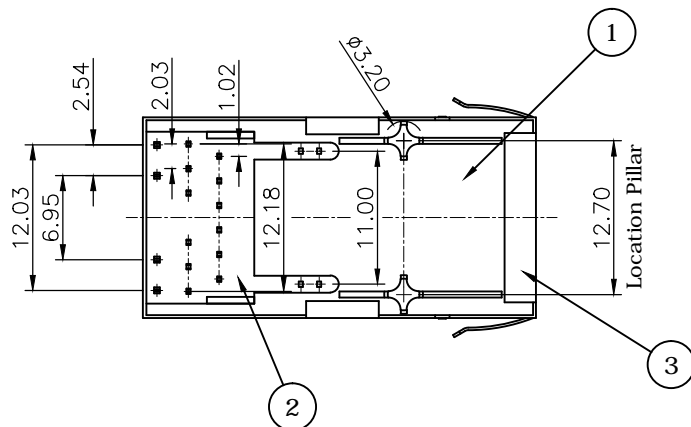
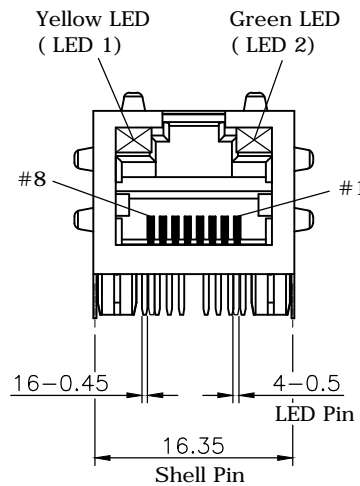
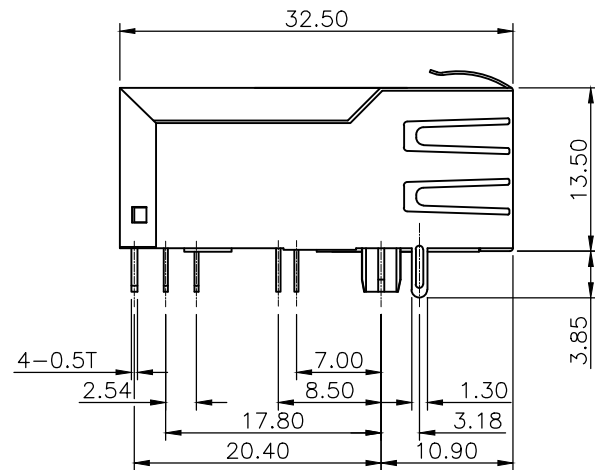
Mechanical:

1. Operating Life : 750 Cycles Min.

Environmental:

1. Storage: -40°C to +85°C.
2. Operation: -40°C to +85°C.
3. Soldering Temperature: 260±5°C, 10 Seconds

Mates With Modular Plug Conforming To TIA-1096-A



214B- 11 C A A
1x1 Port
5u" Gold Plating
LED Color Y+G
w/EMI Tab

3	SHELL	Brass C2680 0.2t, Nickel plating
2.3	PCBA	FR-4, 0.5t
2.2	CONTACT	Phosphor Bronze C5210 0.35t, 5u" Gold plating over Nickel
2.1	INSULATOR	Zytel HTNFR52, UL94V-0, Black
2	INSERT	Assembly
1	HOUSING	Zytel HTNFR52, UL94V-0, Black

UNLESS OTHERWISE SPECIFIED TOLERANCE

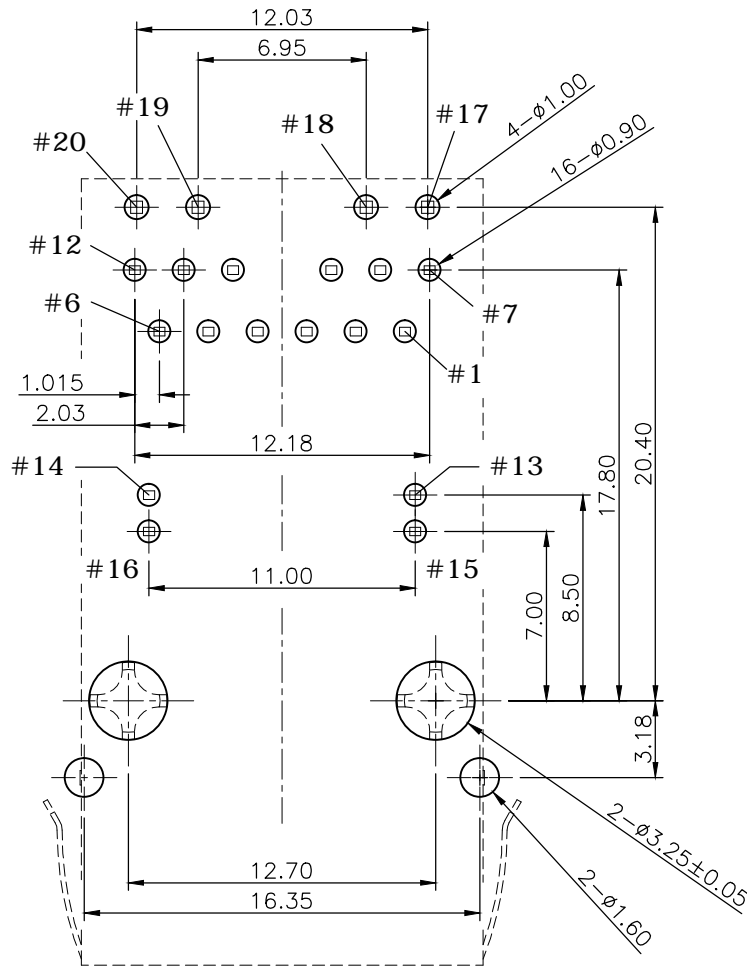
UNIT:	DECIMAL	LINEAR	ANGLES
mm	X.	±0.50	±5°
	X.X	±0.25	±3°
	X.XX	±0.12	±1°



WWW.ATTEND.COM.TW

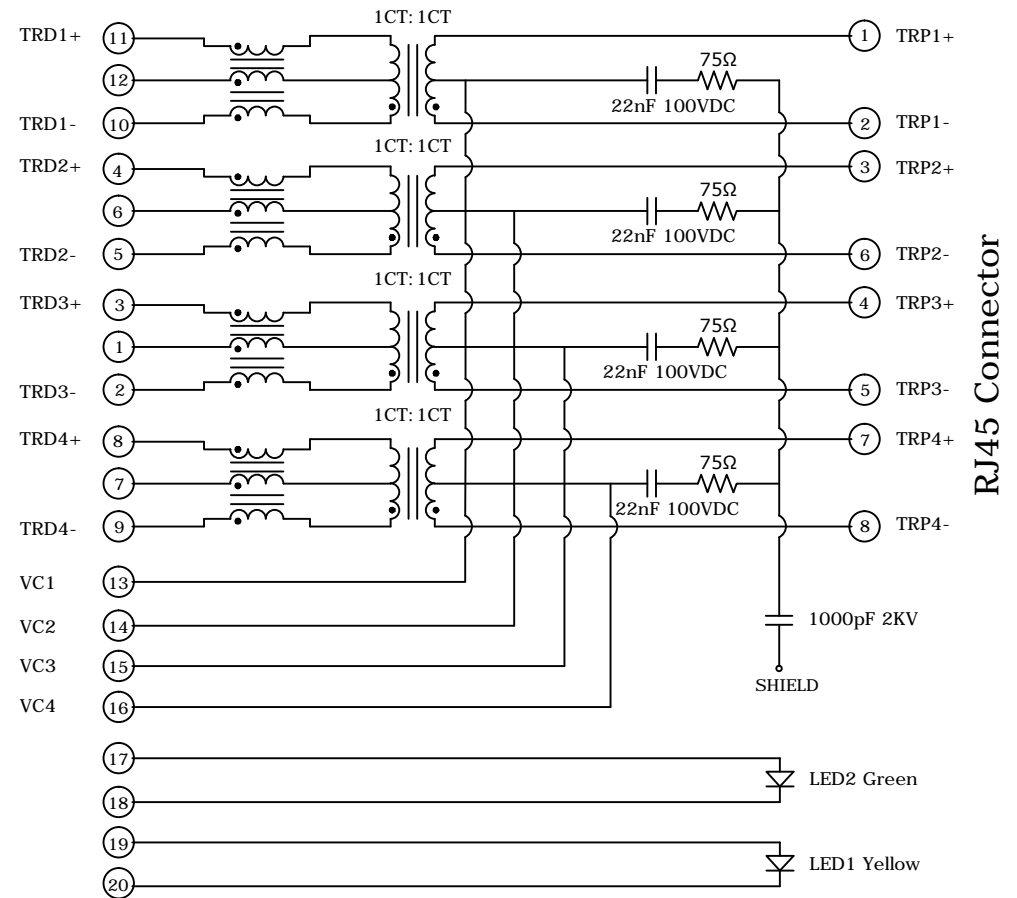
DRAWN	Fros	2016/03/18	DRAWN NAME:	1X1 Port RJ45 Transformer Jack Giga PoE R/A Type with LED, 5u"	
CHECKED	Amy	2016/03/18	PRODUCT NO.	214B-11CAA	
APPROVED	Ken	2016/03/18	FILE NAME	214B-11CAA_B_1	
SCALE	1.6/1	SHEET	1/2	SIZE	A4

REV.	DESCRIPTION	DRAWN	DATE
	SEE SHEET ONE		




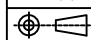
RECOMMENDED LAYOUT (TOP VIEW)
GENERAL TOLERANCE: ±0.1mm

PC Board Connections



RJ45 Connector

Schematic: GIGA+ PoE (Type 7)

UNLESS OTHERWISE SPECIFIED TOLERANCE				 WWW.ATTEND.COM.TW		
UNIT:	DECIMAL	LINEAR	ANGLES			
mm	X.	±0.50	±5°			
	X.X	±0.25	±3°			
	X.XX	±0.12	±1°			
DRAWN	Fros	2016/03/18	DRAWN NAME:			
CHECKED	Amy	2016/03/18	1X1 Port RJ45 Transformer Jack Giga PoE R/A Type with LED, 6u"			
APPROVED	Ken	2016/03/18	PRODUCT NO.	214B-11CAA		
	SCALE	SHEET	SIZE	FILE NAME		
	3.2/1	2/2	A4	214B-11CAA_B_1		