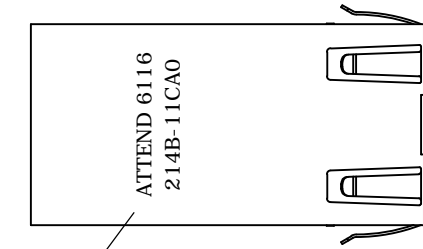


REV.	DESCRIPTION	DRAWN	DATE
1	INITIAL RELEASE	FROS	2016/03/18



Marking

Marking:  
ATTEND: Logo  
6116: Date Code (YWWDD)  
214B-11CA0: Part Number

**Notes:**

**Characterization Description:**

1. RJ45 GIGA+PoE Base-Tx Transformer Jack With Transformer Impedance Resistor/High Voltage Capacitor.
2. Size Same As RJ-45 Modular Jack To Save PCB Space.
3. Reduce EMI Radiation, Improve EMI Performance.
4. Designed For Network Interface Card Application.
5. Designed To Meet IEEE 802.3u Requirement.
6. Designed For 1000+ PoE Base Transmission over UTP-5 Cable.

**Electrical Specifications:**

1. Inductance At 100KHz, 100mV 8mADC Bias: 350uH Min.
2. Leakage Inductance 0.3uH Max. at 100KHz 100mV
3. Insertion Loss: 1.1dB Max. at 1 to 100MHz
4. Return Loss: 18dB Min. at 1 to 30MHz  
16dB Min. at 30 to 60MHz  
12dB Min. at 60 to 80MHz
5. Cross Talk: 1 to 100MHz 30dB Min.
6. Common Mode Rejection: 30dB Min. at 1 to 100MHz
7. Isolation Voltage at 60Hz: 1500Vrms (input to output) 60 Seconds
8. Voltage Rating: 30VDC.
9. Current Rating: 350mADC.

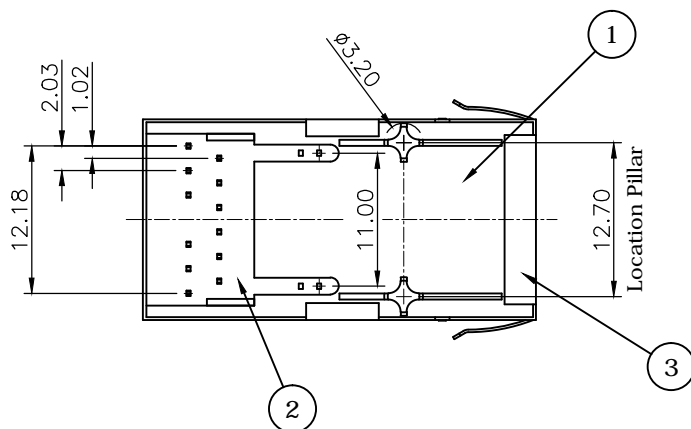
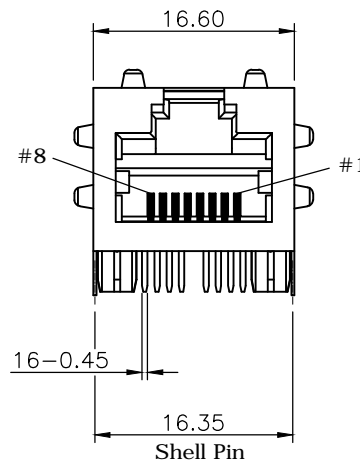
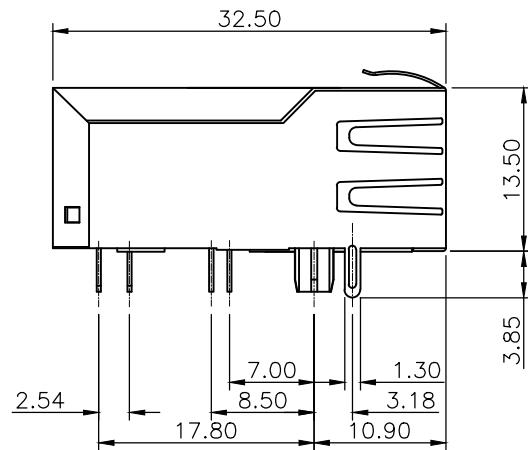
**Mechanical:**

1. Operating Life : 750 Cycles Min.

**Environmental:**

1. Storage: -40°C to +85°C.
2. Operation: -40°C to +85°C.
3. Soldering Temperature: 260±5°C, 10 Seconds

Mates With Modular Plug Conforming To TIA-1096-A



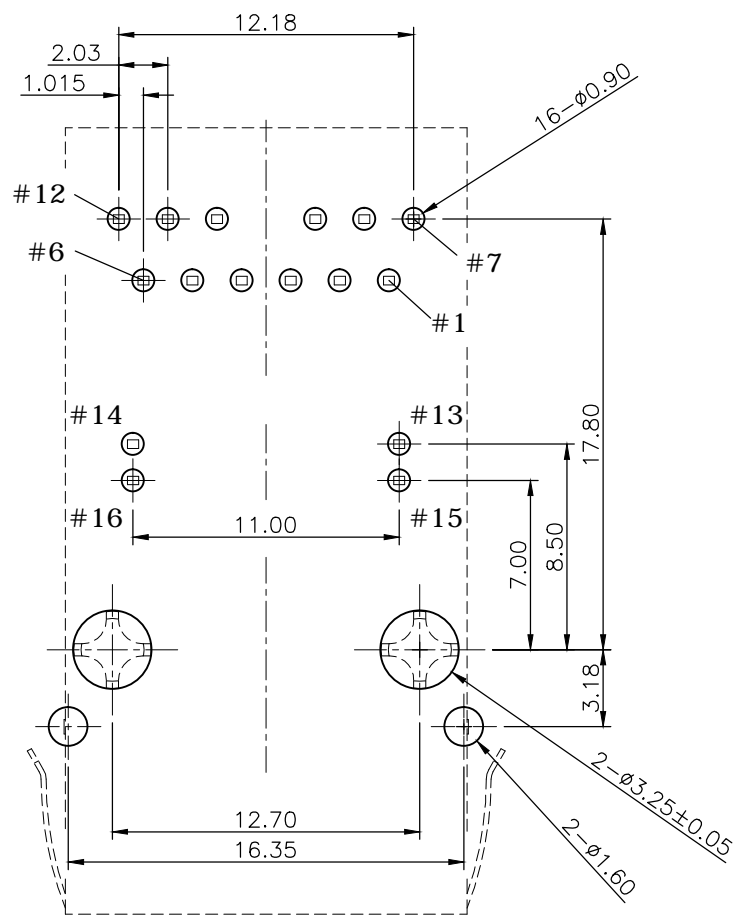
214B- 11 C A 0  
1x1 Port  
5u" Gold Plating  
w/o LED  
w/EMI Tab

3	SHELL	Brass C2680 0.2t, Nickel plating	
2.3	PCBA	FR-4, 0.5t	
2.2	CONTACT	Phosphor Bronze C5210 0.35t, 5u" Gold plating over Nickel	
2.1	INSULATOR	Zytel HTNFR52, UL94V-0, Black	
2	INSERT	Assembly	
1	HOUSING	Zytel HTNFR52, UL94V-0, Black	
UNLESS OTHERWISE SPECIFIED TOLERANCE			
UNIT:	DECIMAL	LINEAR	ANGLES
mm	X.	±0.50	±5°
	X.X	±0.25	±3°
	X.XX	±0.12	±1°
DRAWN		Fros	2016/03/18
CHECKED		Amy	2016/03/18
APPROVED		Ken	2016/03/18
SCALE		1.6/1	SIZE A4
SHEET		1/2	FILE NAME
DRAWN NAME:		1X1 Port RJ45 Transformer Jack Giga PoE R/A Type w/o LED, 5u"	
PRODUCT NO.		214B-11CA0	
FILE NAME		214B-11CA0_B_1	



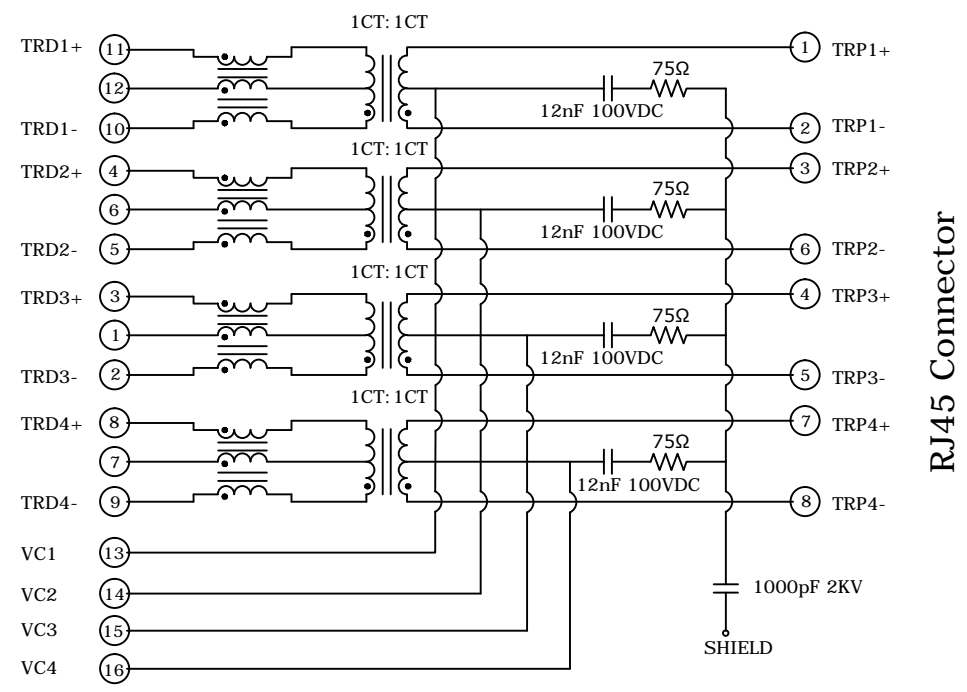
WWW.ATTEND.COM.TW

REV.	DESCRIPTION	DRAWN	DATE
	SEE SHEET ONE		




**RECOMMENDED LAYOUT (TOP VIEW)**  
**GENERAL TOLERANCE: ±0.1mm**

**PC Board Connections**



**RJ45 Connector**

**Schematic: GIGA+ PoE ( Type 3 )**

UNLESS OTHERWISE SPECIFIED TOLERANCE				 WWW.ATTEND.COM.TW		
UNIT:	DECIMAL	LINEAR	ANGLES			
mm	X.	±0.50	±5°			
	X.X	±0.25	±3°			
	X.XX	±0.12	±1°			
DRAWN	Fros	2016/03/18	DRAWN NAME:			
CHECKED	Amy	2016/03/18	1X1 Port RJ45 Transformer Jack			
APPROVED	Ken	2016/03/18	Giga PoE R/A Type w/o LED, 5u"			
	SCALE	SHEET	SIZE	PRODUCT NO.	214B-11CA0	
	3.2/1	2/2	A4	FILE NAME	214B-11CA0_B_1	