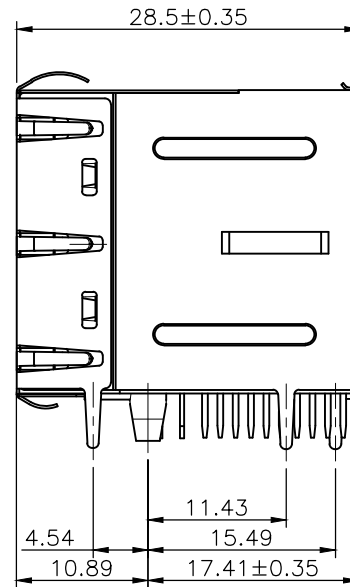
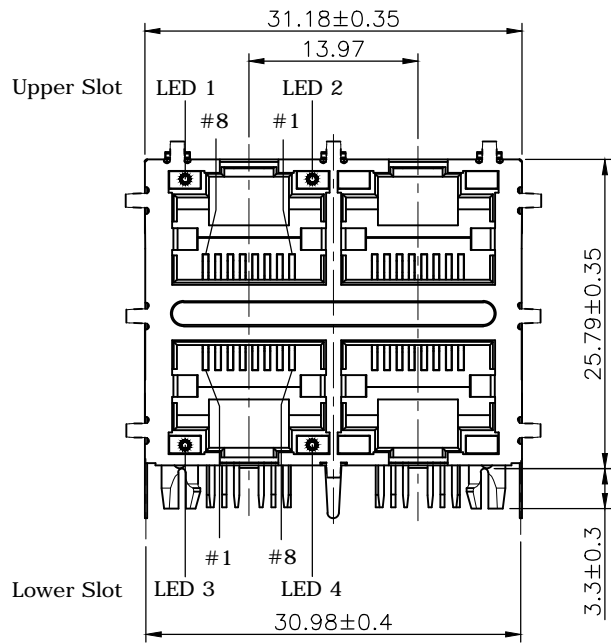


REV.	DESCRIPTION	DRAWN	DATE
1	INITIAL RELEASE	FROS	2016/03/04



Characteristics Description:

1. RJ45 100 Base-Tx Transformer Jack With Transformer Impedance Resistor/High Voltage Capacitor.
2. Size Same As RJ-45 Modular Jack To Save PCB Space.
3. Reduce EMI Radiation, Improve EMI Performance.
4. Designed For Network Interface Card Application.
5. Designed To Meet IEEE 802.3u Requirement.
6. Designed For 100 Base Transmission over UTP-5 Cable.

Electrical Specifications:

1. Inductance At 100 KHz, 100 mV 8mADC Bias: 350 uH Min.
2. Leakage Inductance 0.4 uH Max. at 100KHz 100mV
3. Insertion Loss: 1.1 dB Max. at 1-100 MHz
4. Return Loss:
18dB Min. at 1-30MHz
16dB Min. at 30-60MHz
12dB Min. at 60-80MHz
5. Cross Talk: 30dB Min. at 1-100MHz
6. Common Mode Rejection: 20dB Min. at 1-100MHz
7. Isolation at 60Hz: 1500Vrms(Input To Output) 60 Seconds

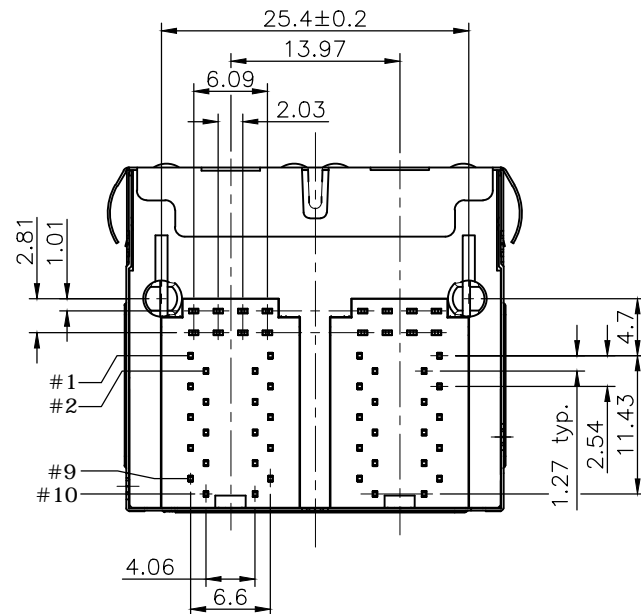
Mechanical:


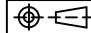
1. Housing Material: PBT UL94V-0
2. Insert Material: PBT UL94V-0
3. Contact Material: Phosphor Bronze t=0.35mm
4. Shield Material: Brass C2680 t=0.2mm

Environmental:

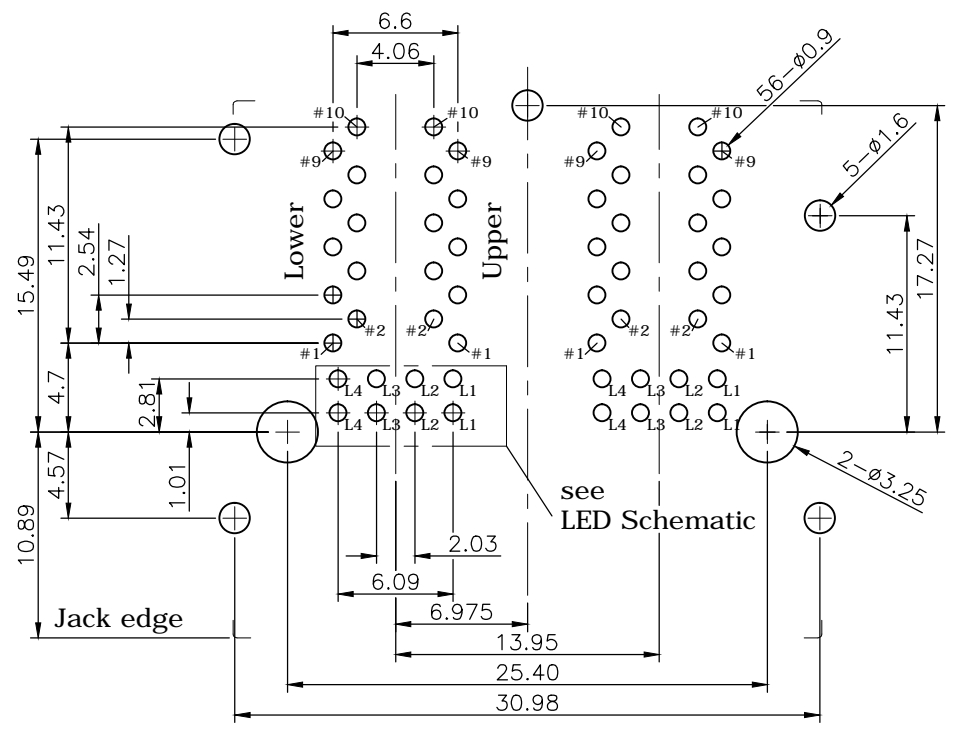
1. Operating Temperature: 0°C to +70°C
2. Storage Temperature: -40°C to +85°C

Mates with modular plug conforming to TIA-1096-A

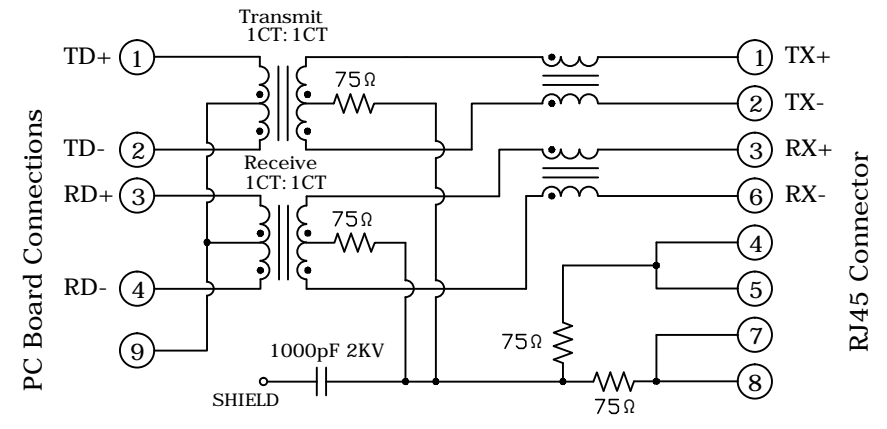


UNLESS OTHERWISE SPECIFIED TOLERANCE				
UNIT:	DECIMAL	LINEAR	ANGLES	
mm	X.	±0.50	±5°	
	X.X	±0.25	±3°	
	X.XX	±0.12	±1°	
WWW.ATTEND.COM.TW				
DRAWN	Fros	2016/03/04	DRAWN NAME:	
CHECKED	Amy	2016/03/04	RJ45 Transformer Jack, w/LED, w/Shield, w/EMI, PBT, 6u"	
APPROVED	Ken	2016/03/04	PRODUCT NO. 213A-22CAC-01	
	SCALE 1.6/1	SHEET 1/2	SIZE A4	FILE NAME 213A-22CAC-01_B_1

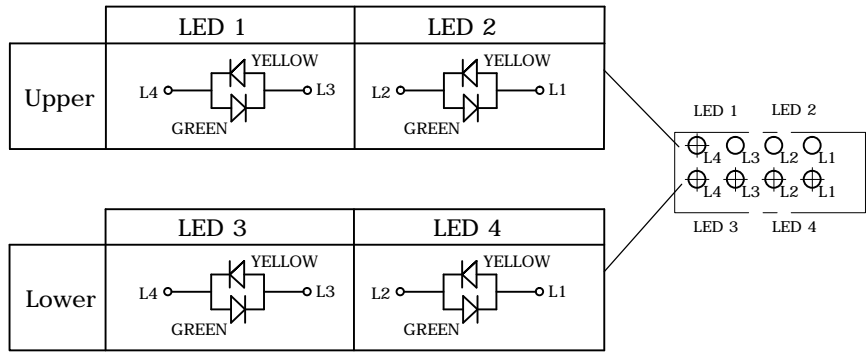
REV.	DESCRIPTION	DRAWN	DATE
	SEE SHEET ONE		




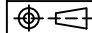
Recommended Layout (Top View)
General Tolerance: ±0.1mm



Schematic: Type-2



LED Schematic

UNLESS OTHERWISE SPECIFIED TOLERANCE				 WWW.ATTEND.COM.TW
UNIT:	DECIMAL	LINEAR	ANGLES	
mm	X.	±0.50	±5°	
	X.X	±0.25	±3°	
	X.XX	±0.12	±1°	
DRAWN	Fros	2016/03/04	DRAWN NAME:	
CHECKED	Amy	2016/03/04	RJ45 Transformer Jack, w/LED, w/Shield, w/EMI, PBT, 6u"	
APPROVED	Ken	2016/03/04	PRODUCT NO. 213A-22CAC-01	
	SCALE 2.5/1	SHEET 2/2	SIZE A4	FILE NAME 213A-22CAC-01_B_1