

REV.	DESCRIPTION	DRAWN	DATE
1	INITIAL RELEASE	Willis	2012/10/30
2	Corrected, revised frame, add packing	Fros	2016/08/01

**SPECIFICATION:**

**ELECTRICAL**

- 1.1 Current Rating: 1.5A
- 1.2 Voltage Rating: 125VAC
- 1.3 Contact Resistance: 30mΩ
- 1.4 Insulation Resistance: 1000MΩ
- 1.5 Dielectric Withstanding Voltage: 1000VAC
- 1.6 LED Rating: Forward Voltage: 2.2 Volts Typical  
Reverse Voltage: 5 Volts max

**MECHANICAL**

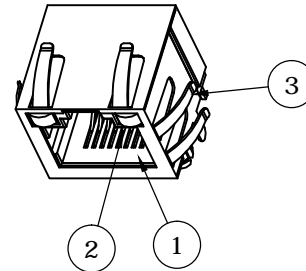
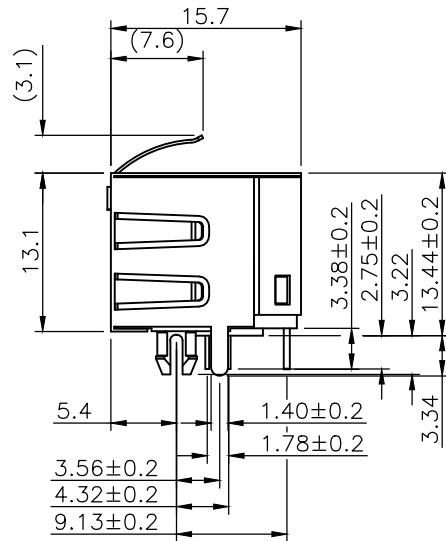
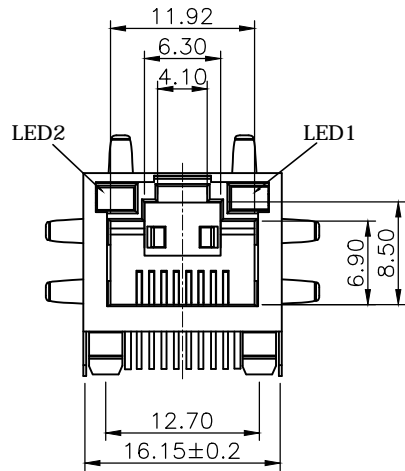
- 2.1 Durability: 750 Cycle

**ENVIRONMENTAL**

- 3.1 Operating temperature range: -40°C to +85°C
- 3.2 Storage temperature range: -40°C to +85°C

**SOLDER ABILITY**

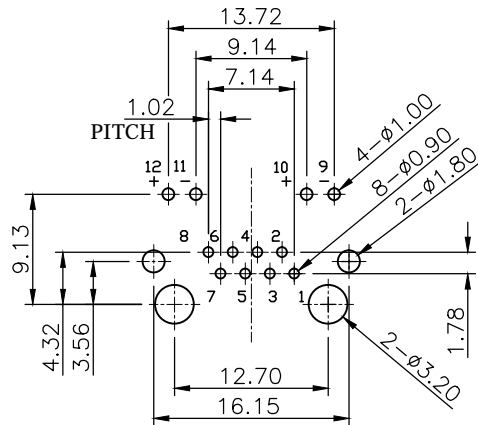
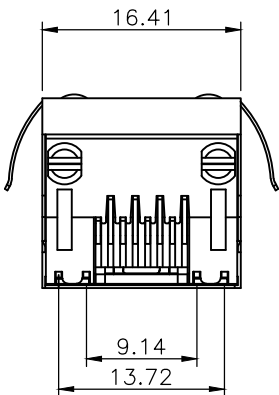
- 4.1 Recommended Wave Soldering Temperature: 260°C 10Sec
- 4.2 PCB Retention Pre-Solder: : 1 LB min
- 4.3 PCB Retention Post-Solder: 10 LBS min



PRODUCT NUMBER:  
211A-11 C A A-R01

1 2 3 4

- 1.No. of Contact  
11: 1X1 Port
- 2.Contact Plating  
C: 5u" Gold Plating
- 3.EMI Tab  
A: with EMI Tab
- 4.LED  
A: Y(LED2)+G(LED1)

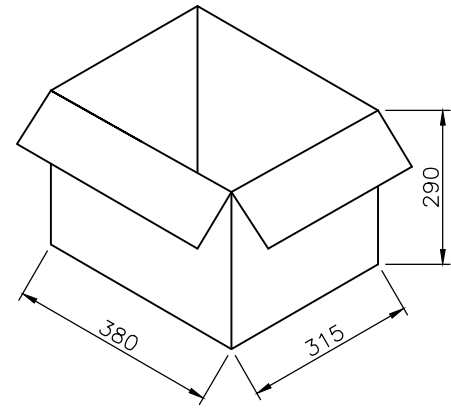
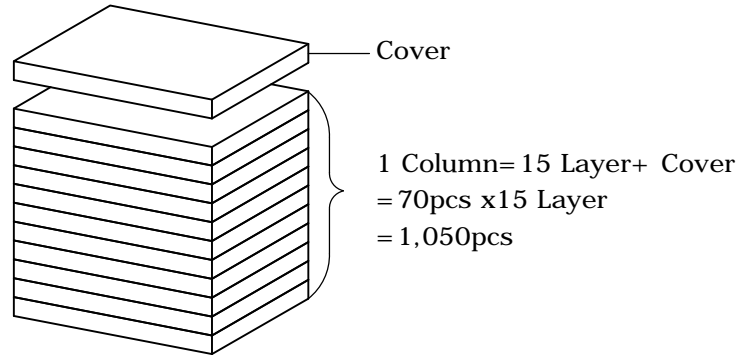
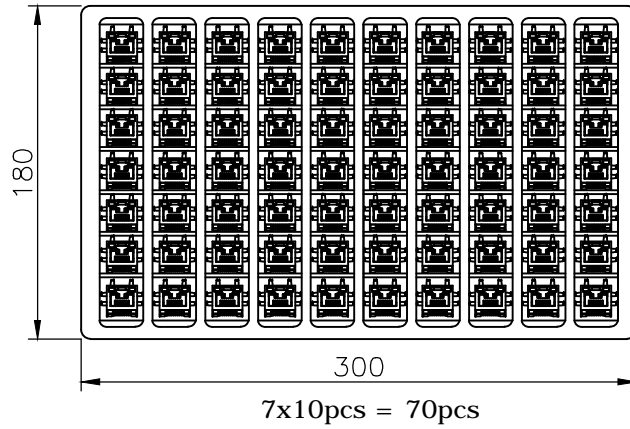


**RECOMMENDED LAYOUT (TOP VIEW)**  
**GENERAL TOLERANCE: ±0.1mm**



3	SHELL	Brass C2680, Nickel plating	
2	CONTACT	Phosphor Bronze C5210, Gold plating over Nickel	
1	HOUSING	PA66, UL94V-0, Black	
NO.	PART NAME	DESCRIPTION	
UNLESS OTHERWISE SPECIFIED TOLERANCE			
UNIT:	DECIMAL	LINEAR	ANGLES
	X.	±0.50	±5°
	X.X	±0.25	±3°
	X.XX	±0.12	±1°
WWW.ATTEND.COM.TW			
DRAWN	Willis	2012/10/30	DRAWN NAME: RJ45 Jack Shielded Type w/ LED
CHECKED	Angel	2012/10/30	
APPROVED	Ken	2012/10/30	PRODUCT NO. 211A-11CAA-R01
SCALE	SHEET	SIZE	FILE NAME
			1.6/1



REV.	DESCRIPTION	DRAWN	DATE
	see sheet one		



1 Carton = 2 Column  
= 1,050pcs x2 = 2,100pcs

UNLESS OTHERWISE SPECIFIED TOLERANCE				 WWW.ATTEND.COM.TW	
UNIT:	DECIMAL	LINEAR	ANGLES		
mm	X.	±0.50	±5°		
	X.X	±0.25	±3°		
	X.XX	±0.12	±1°		
DRAWN	Willis	2012/10/30	DRAWN NAME: RJ45 Jack Shielded Type w/ LED		
CHECKED	Angel	2012/10/30			
APPROVED	Ken	2012/10/30	PRODUCT NO.	211A-11CAA-R01	
	SCALE 1.6/1	SHEET 2/2	SIZE A4	FILE NAME 211A-11CAA-R01_B_2	