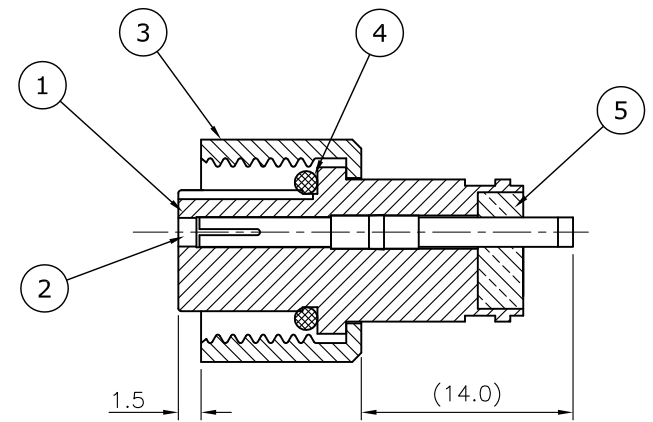
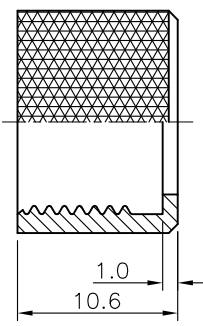
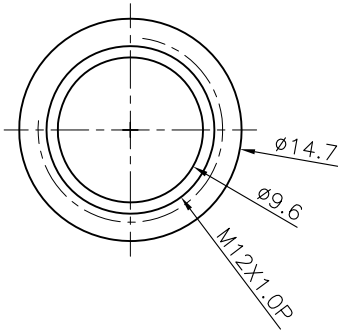
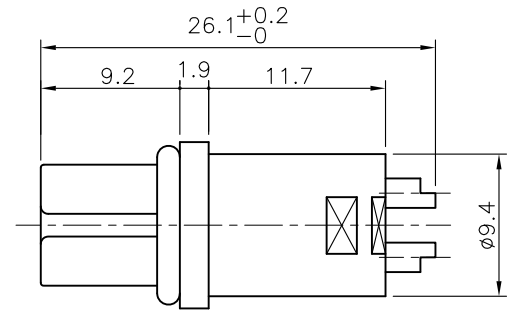
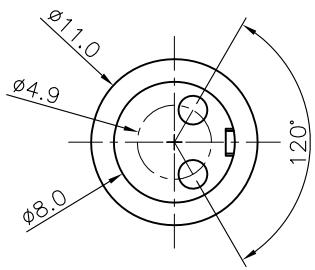



REV.	DESCRIPTION	DRAWN	DATE
1	INITIAL RELEASE	FROS	2016/06/21

SPECIFICATION:

1. ELECTRICAL
 - 1.1 Current Rating: 10A
 - 1.2 Voltage Rating: 125V
 - 1.3 Water Proof: IPX7
 - 1.4 Operating Temperature: -40°C~+85°C



5	EPOXY BASE	EF400A&EF400B, Black
4	O-RING	EPDM, Black
3	NUT	Brass, Nickel plating
2	CONTACT	Brass, Gold plating over Nickel
1	HOUSING	PBT, UL94V-0, Black

NO.		PART NAME		DESCRIPTION	
UNLESS OTHERWISE SPECIFIED TOLERANCE					
UNIT:	DECIMAL	LINEAR	ANGLES	 WWW.ATTEND.COM.TW	
	X.	±0.50	±5°		
	X.X	±0.25	±3°		
	X.XX	±0.12	±1°		
DRAWN	Fros	2016/06/21	DRAWN NAME:		
CHECKED	Ron	2016/06/21	M12 A- Code Plug for Cable		
APPROVED	Ken	2016/06/21	2Pin Female For Overmold with Cable		
SCALE	SHEET	SIZE	FILE NAME	PRODUCT NO.	
2/1	1/1	A4	216A-02FO0_B_1	216A-02FO0	