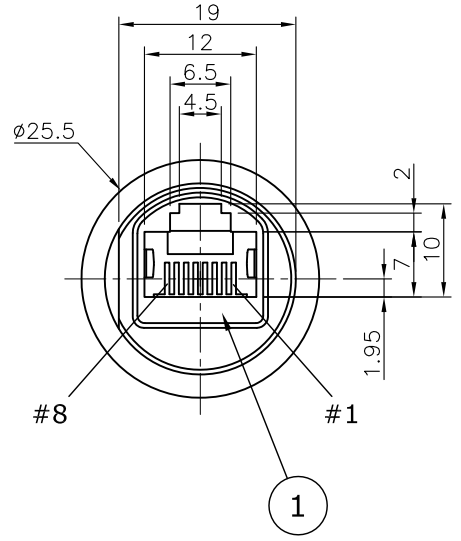
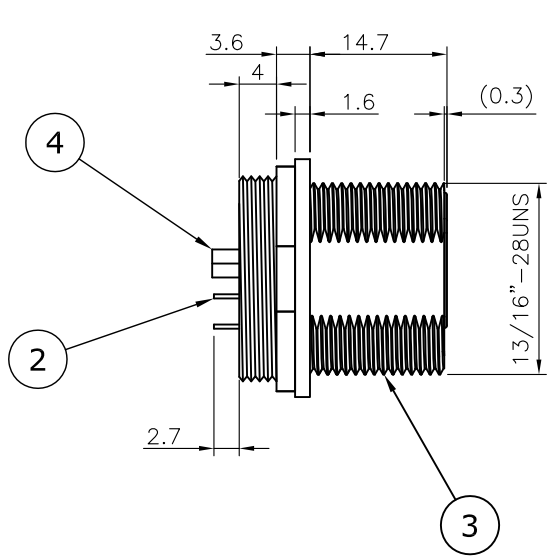
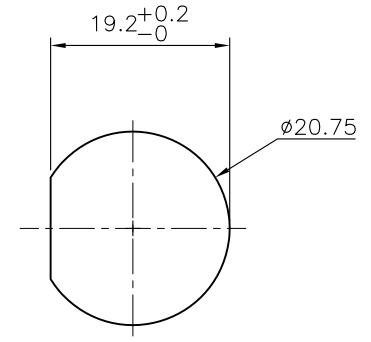


REV.	DESCRIPTION	DRAWN	DATE
1	INITIAL RELEASE	TIM	2016/09/19

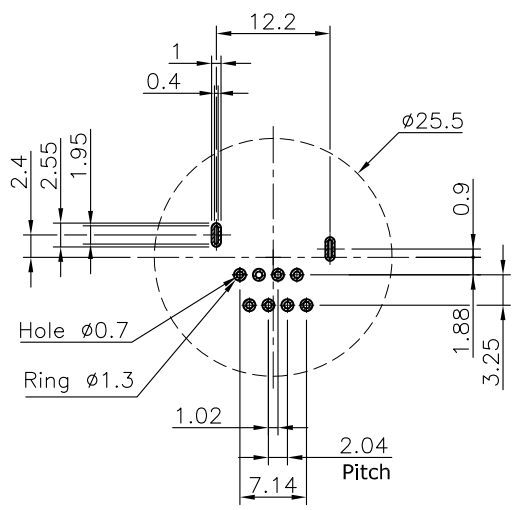


**SPECIFICATION:**

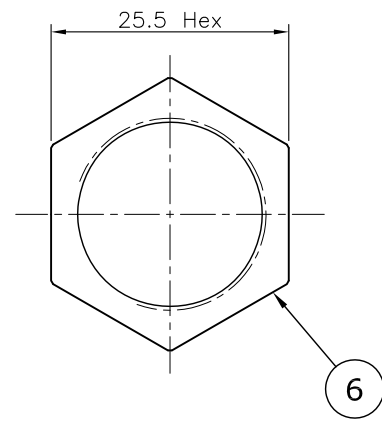
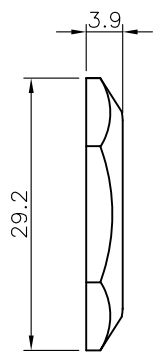
- 1.1 Current Rating: 2A per pin
- 1.2 Voltage Rating: 250V AC/DC
- 1.3 Water Proof: IPX7
- 1.4 Operation Temperature: -40°C to +85°C



Recommended Panel Cut Out



Recommended Layout ( top veiw)  
General Tolerance: ±0.10mm



Nut

7	EPOXY BASE	EF400A&EF400B, Black
6	NUT	Brass, Nickel plating
5	O-RING	EPDM, Black
4	GROUND	SUS301, Nickel plating
3	SHELL	Zn Alloy, Nickel plating
2	CONTACT	Phosphor Bronze, Gold plating over Nickel
1	HOUSING	PBT, UL94V-0, Black

NO.		PART NAME	DESCRIPTION
UNLESS OTHERWISE SPECIFIED TOLERANCE			
UNIT:	DECIMAL	LINEAR	ANGLES
	mm	X, X.X, X.XX	±0.50, ±0.25, ±0.12
			±5°, ±3°, ±1°
WWW.ATTEND.COM.TW			
DRAWN	Tim	2016/09/19	DRAWN NAME: RJ45 8P8C Water Proof Socket
CHECKED	Fros	2016/09/19	
APPROVED	Ken	2016/09/19	PRODUCT NO. 222A-03001
SCALE	1.25	SHEET 1/1	SIZE A4
		FILE NAME	222A-03001_B_1

