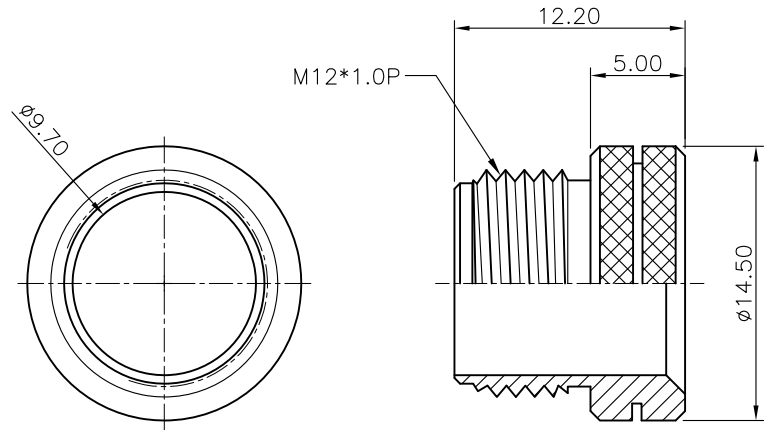
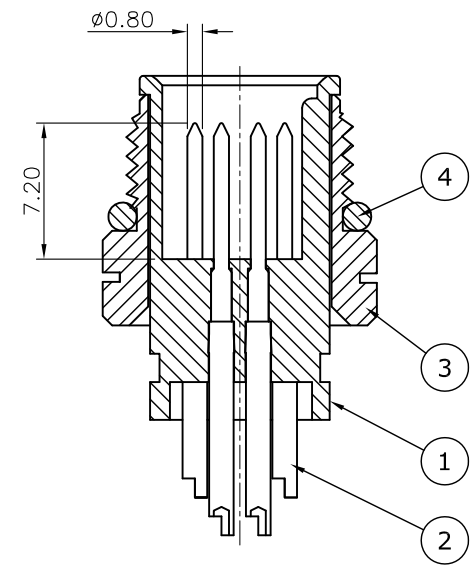
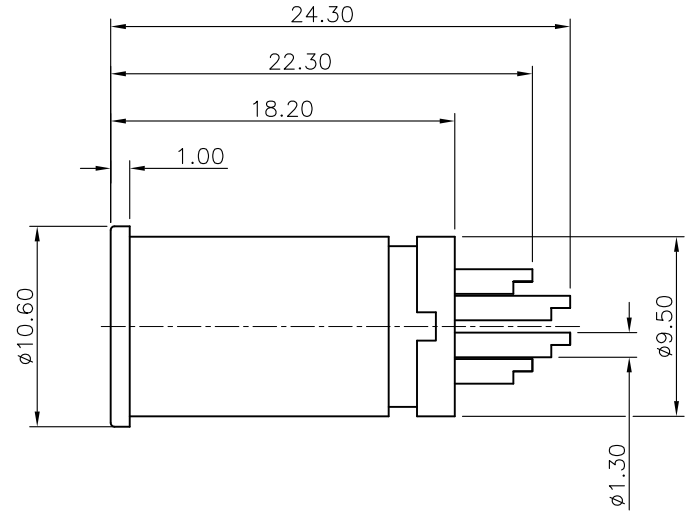
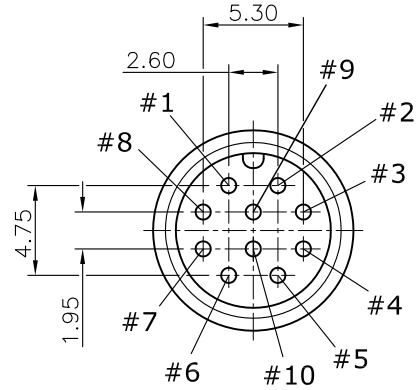


REV.	DESCRIPTION	DRAWN	DATE
0	INITIAL RELEASE	TIM	2016/08/11
1	CORRECTED	TIM	2016/09/26

SPECIFICATION:

1. CURRENT RATING: 5A
2. VOLTAGE: 125V
3. WATER PROOF: IPX7
4. OPERATION TEMPERATURE: -40°C TO +85°C



NUT

4	O-RING	EPDM
3	NUT	BRASS, NICKEL PLATED
2	CONTACT	BRASS, 10u" GOLD PLATED UNDER NICKEL
1	HOUSING	PBT, UL94V-0, BLACK
NO	PART NAME	DESCRIPTION

UNLESS OTHERWISE SPECIFIED TOLERANCE

UNIT:	DECIMAL	LINEAR	ANGLES
mm	X.	±0.50	±5°
	X.X	±0.25	±3°
	X.XX	±0.12	±1°



WWW.ATTEND.COM.TW

DRAWN	Tim	2016/08/11	DRAWN NAME:	
CHECKED	Fros	2016/08/11	M12 A-Code Plug for Cable	
APPROVED	Ken	2016/08/11	PRODUCT NO.	216A-10M00
SCALE	2.5/1	SHEET	1/1	SIZE
			FILE NAME	216A-10M00_B_1