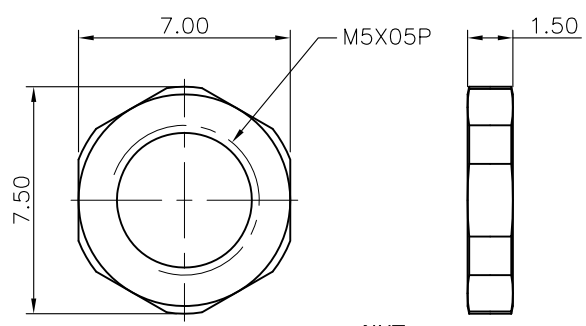
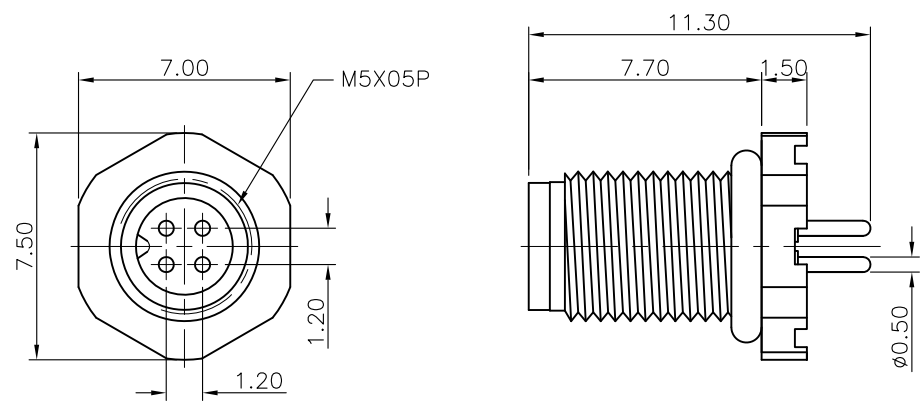
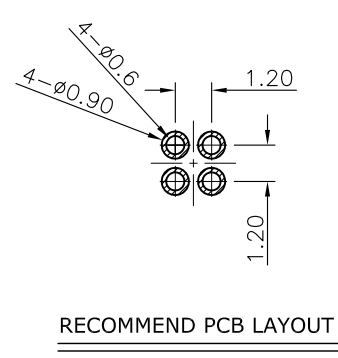
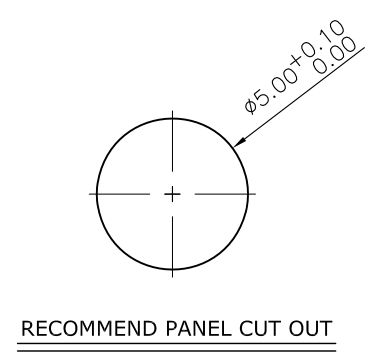


REV.	DESCRIPTION	DRAWN	DATE
1	INITIAL RELEASE	FROS	2015/09/08

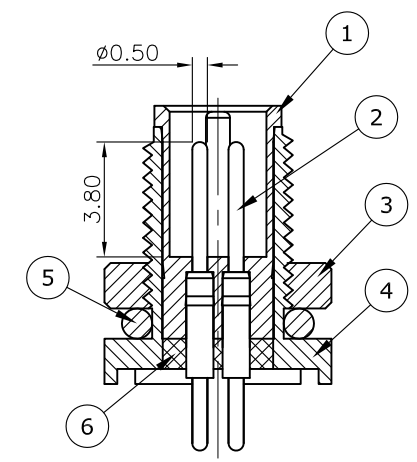


NUT




SPECIFICATION:

1. CURRENT RATING: 1A
2. VOLTAGE: 60V
3. WATER PROOF: IP67
4. OPERATION TEMPERATURE: -20°C TO +85°C



6	EPOXY BASE	EF400A & EF400B, BLACK
5	O-RING	NBR, BLACK
4	SHELL	BRASS, NICKEL PLATED
3	NUT	BRASS, NICKEL PLATED
2	CONTACT	BRASS, GOLD PLATED UNDER NICKEL
1	HOUSING	PBT, UL94V-0, BLACK
NO	PART NAME	DESCRIPTION

UNLESS OTHERWISE SPECIFIED TOLERANCE					
UNIT:	DECIMAL	LINEAR	ANGLES		
mm	X.	±0.50	±5°	WWW.ATTEND.COM.TW	
	X.X	±0.25	±3°		
	X.XX	±0.12	±1°		
DRAWN	Tim	2016/08/18	DRAWN NAME:		
CHECKED	Fros	2016/08/18	M5 A-Code Receptacle, 4Pin		
APPROVED	Ken	2016/08/18	Male Straight PCB Type, Front Fastened		
SCALE	SHEET	SIZE	FILE NAME	PRODUCT NO.	
4/1	1/1	A4	220A-04MSF_B_1	220A-04MSF	