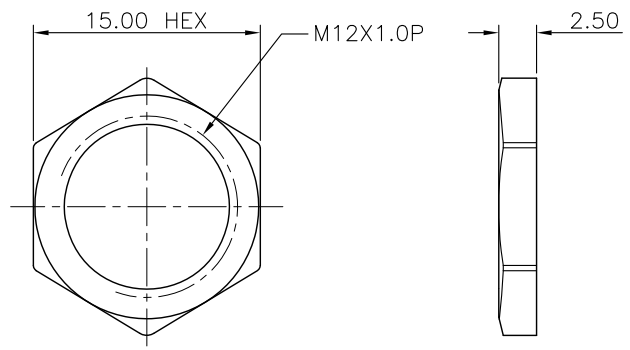
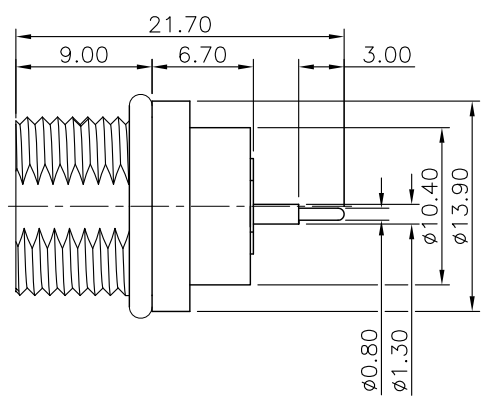
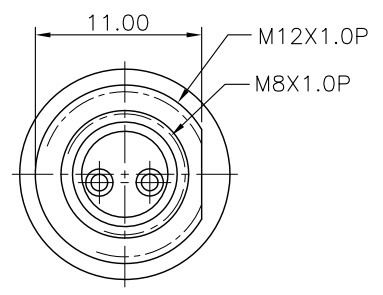


REV.	DESCRIPTION	DRAWN	DATE
1	INITIAL RELEASE	TIM	2016/08/18

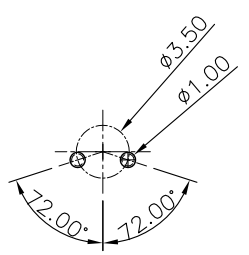
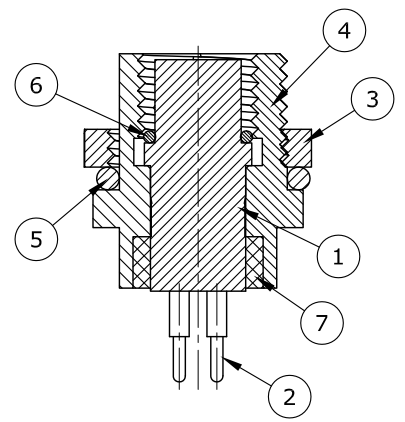


NUT

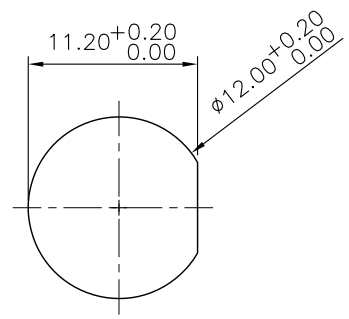


**SPECIFICATION:**

1. CURRENT RATING: 5A
2. VOLTAGE: 125V
3. WATER PROOF: IPX7
4. OPERATION TEMPERATURE: -20°C TO +85°C




RECOMMEND PCB LAYOUT



RECOMMEND PANEL CUT OUT

7	EPOXY BASE	
6	O-RING	
5	O-RING	NBR, BLACK
4	SHELL	BRASS, NICKEL PLATED
3	NUT	BRASS, NICKEL PLATED
2	CONTACT	BRASS, 10u" GOLD PLATED UNDER NICKEL
1	HOUSING	PBT, UL94V-0, BLACK
NO	PART NAME	DESCRIPTION

UNLESS OTHERWISE SPECIFIED TOLERANCE					
UNIT:	DECIMAL	LINEAR	ANGLES		
mm	X.	±0.50	±5°	WWW.ATTEND.COM.TW	
	X.X	±0.25	±3°		
	X.XX	±0.12	±1°		
DRAWN	Tim	2016/08/18	DRAWN NAME:		
CHECKED	Fros	2016/08/18	M8 A-Code Receptacle, 2Pin		
APPROVED	Ken	2016/08/18	Female Straight PCB Type, Front Fastened		
SCALE	SHEET	SIZE	FILE NAME		
2/1	1/1	A4	219A-02FSF_B_1		