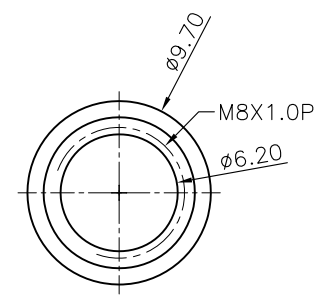
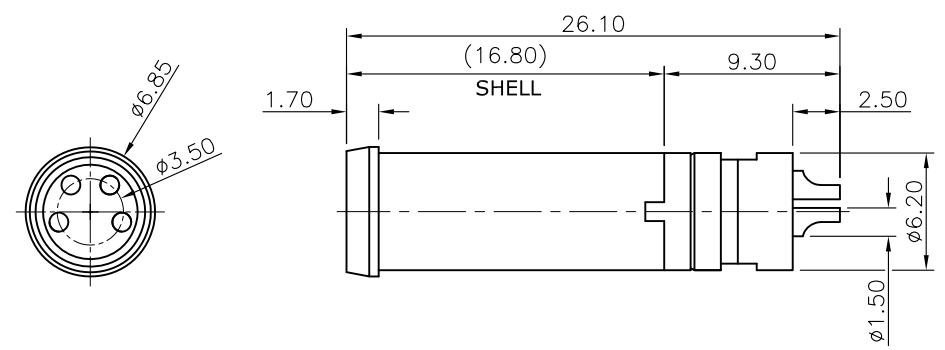


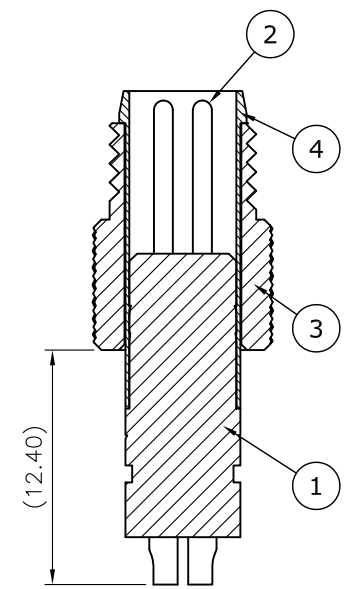
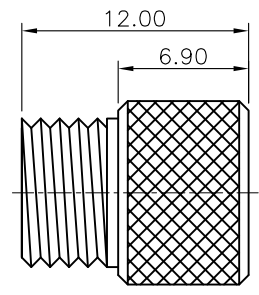
| REV. | DESCRIPTION | DRAWN | DATE |
|------|-----------------|-------|------------|
| 1 | INITIAL RELEASE | TIM | 2016/08/23 |

SPECIFICATION:


1. CURRENT RATING: 5A
2. VOLTAGE: 125V
3. WATER PROOF: IPX7
4. OPERATION TEMPERATURE: -40°C TO +85°C



NUT



| NO | PART NAME | DESCRIPTION |
|----|-----------|---------------------------------|
| 4 | SHELL | Brass, Nickel plating |
| 3 | NUT | Brass, Nickel plating |
| 2 | CONTACT | Brass, Gold plating over Nickel |
| 1 | HOUSING | PBT, UL94V-0, Black |

| UNLESS OTHERWISE SPECIFIED TOLERANCE | | | |  | |
|--------------------------------------|---------|------------|-----------------------------------|---|--|
| UNIT: | DECIMAL | LINEAR | ANGLES | | |
| mm | X. | ±0.50 | ±5° | WWW.ATTEND.COM.TW | |
| | X.X | ±0.25 | ±3° | | |
| | X.XX | ±0.12 | ±1° | | |
| DRAWN | Tim | 2016/08/23 | DRAWN NAME: | | |
| CHECKED | Fros | 2016/08/23 | M8 A-Code Plug for Cable | | |
| APPROVED | Ken | 2016/08/23 | 4Pin Male For Overmold with Cable | | |
| SCALE | SHEET | SIZE | FILE NAME | PRODUCT NO. | |
| 2.5/1 | 1/1 | A4 | 219A-04MO0_B_1 | 219A-04MO0 | |