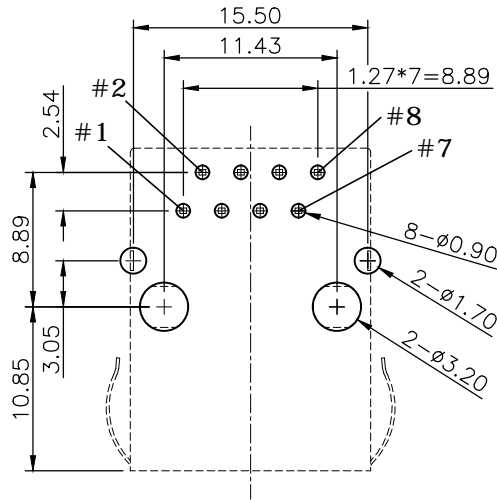
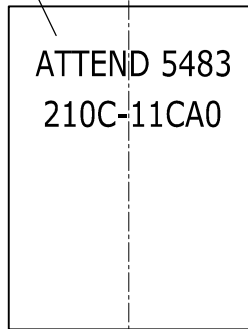


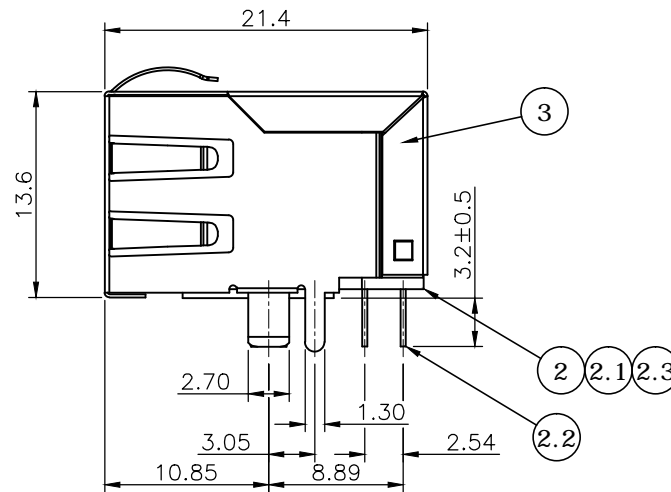
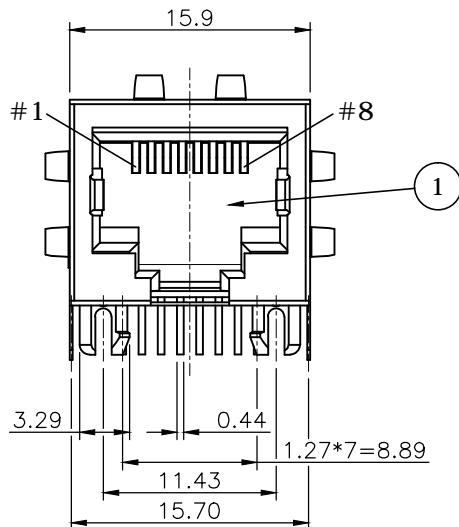
**MARKING:**

ATTEND: Logo  
 5483: Date Code (YWWD)  
 210C-11CA0: Part Number



CONNECTOR

RECOMMENDED LAYOUT (TOP VIEW)  
 GENERAL TOLERANCE:  $\pm 0.1\text{mm}$



REV.	DESCRIPTION	DRAWN	DATE
1	INITIAL RELEASE	FROS	2015/12/07
2	210C-11C1A REVISION TO 210C-11CA0	FROS	2016/11/01

**SPECIFICATION:**

**1. ELECTRICAL**

- 1.1 Current Rating: 1.5A
- 1.2 Voltage Rating: 125VAC
- 1.3 Contact Resistance: 60m $\Omega$
- 1.4 Insulation Resistance: 1,000M $\Omega$
- 1.5 Dielectric Withstanding Voltage: 1,000VAC

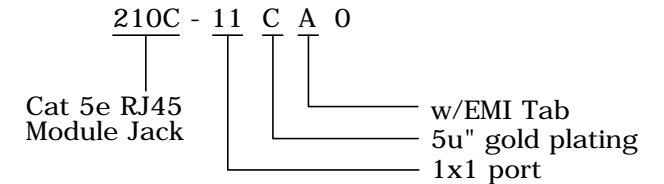
**2. MECHANICAL**

- 2.1 Durability: 750 Cycle

**3. ENVIRONMENTAL**

- 3.1 Operating temperature range: -40 $^{\circ}$ C~+85 $^{\circ}$ C
- 3.2 Storage temperature range: -40 $^{\circ}$ C~+85 $^{\circ}$ C

Mates with modular plug conforming to FCC part 68, subpart F.



3	SHELL	Brass C2680 0.2t, 30u"~50u" Nickel plating
2.3	PCB	FR-4, 0.5t
2.2	CONTACT	Phosphor Bronze C5210 0.35t, 5u" Gold plating over 50u" Nickel
2.1	INSULATOR	Zytel HTNFR52, UL94V-0, Black
2	INSERT	Assembly
1	HOUSING	Zytel HTNFR52, UL94V-0, Black
NO.	PART NAME	DESCRIPTION

UNLESS OTHERWISE SPECIFIED TOLERANCE

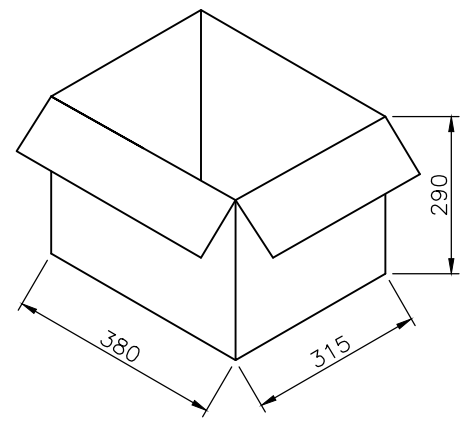
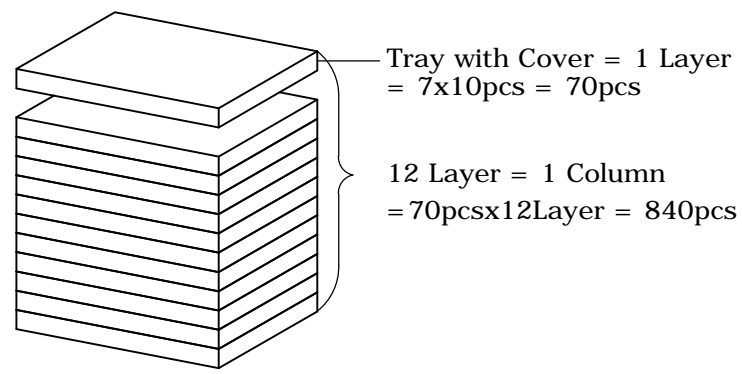
UNIT:	DECIMAL	LINEAR	ANGLES
mm	X.	$\pm 0.50$	$\pm 5^{\circ}$
	X.X	$\pm 0.25$	$\pm 3^{\circ}$
	X.XX	$\pm 0.12$	$\pm 1^{\circ}$



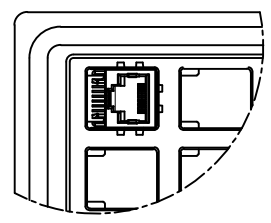
WWW.ATTEND.COM.TW

DRAWN	Fros	2015/12/07	DRAWN NAME:		
CHECKED	Amy	2015/12/07		Cat 5e RJ45 Module Jack, 1x1 Port Metal Shield w/EMI Tab Type, 5u" Gold	
APPROVED	Ken	2015/12/07	PRODUCT NO.	210C-11CA0	
SCALE	2/1	SHEET	1/2	SIZE	A4
FILE NAME	210C-11CA0_B_2				

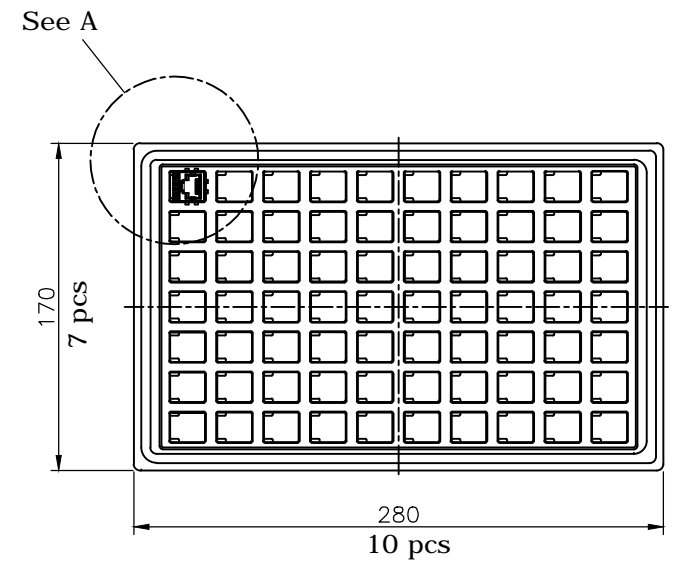
REV.	DESCRIPTION	DRAWN	DATE
	see sheet one		


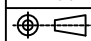


1 Carton = 2 Column  
= 840pcsx2 = 1680pcs



Detail A



UNLESS OTHERWISE SPECIFIED TOLERANCE					
UNIT:	DECIMAL	LINEAR	ANGLES		
mm	X.	±0.50	±5°	DRAWN NAME: Cat 5e RJ45 Module Jack, 1x1 Port Metal Shield w/EMI Tab Type, 5u" Gold	
	X.X	±0.25	±3°		
	X.XX	±0.12	±1°		
DRAWN	Fros	2015/12/07	PRODUCT NO. 210C-11CA0		
CHECKED	Amy	2015/12/07	FILE NAME 210C-11CA0_B_2		
APPROVED	Ken	2015/12/07			
 SCALE 1/4 SHEET 2/2 SIZE A4					