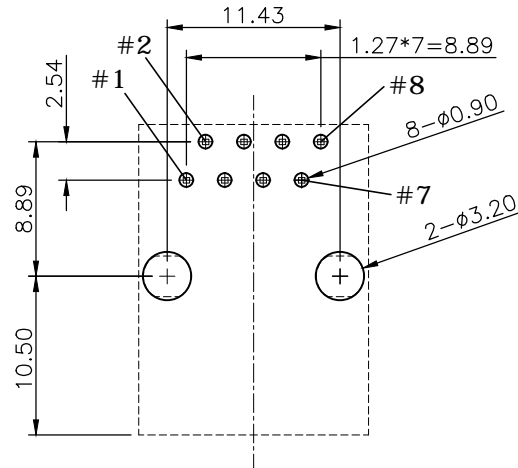
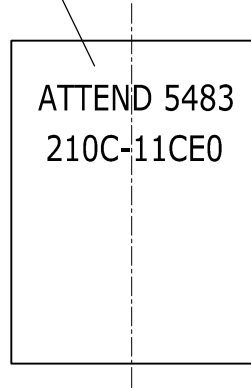


REV.	DESCRIPTION	DRAWN	DATE
1	INITIAL RELEASE	FROS	2015/12/07
2	210C-11C2B REVISION TO 210C-11CE0	FROS	2016/11/01

MARKING:

ATTEND: Logo
 5483: Date Code (YWWD)
 210C-11CE0: Part Number



CONNECTOR

RECOMMENDED LAYOUT (TOP VIEW)
 GENERAL TOLERANCE: ±0.1mm

SPECIFICATION:

1. ELECTRICAL

- 1.1 Current Rating: 1.5A
- 1.2 Voltage Rating: 125VAC
- 1.3 Contact Resistance: 60mΩ
- 1.4 Insulation Resistance: 1,000MΩ
- 1.5 Dielectric Withstanding Voltage: 1,000VAC

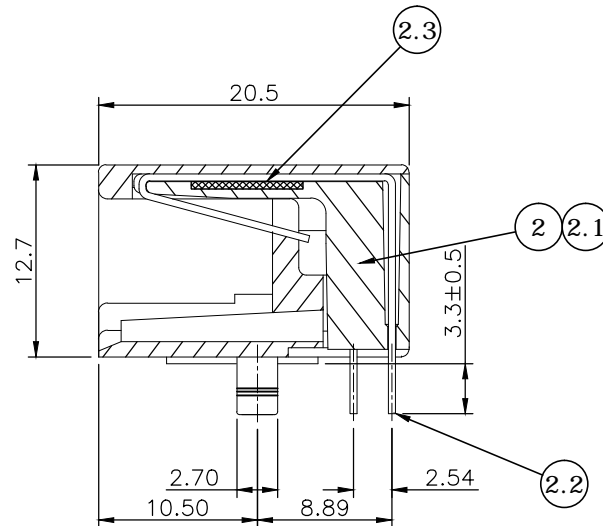
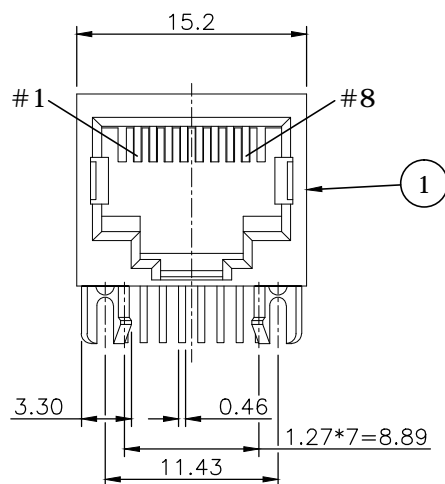
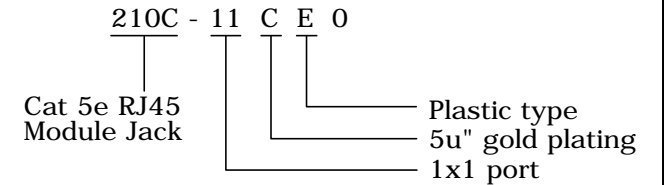
2. MECHANICAL

- 2.1 Durability: 750 Cycle


3. ENVIRONMENTAL

- 3.1 Operating temperature range: -40°C~+85°C
- 3.2 Storage temperature range: -40°C~+85°C

Mates with modular plug conforming to FCC part 68, subpart F.

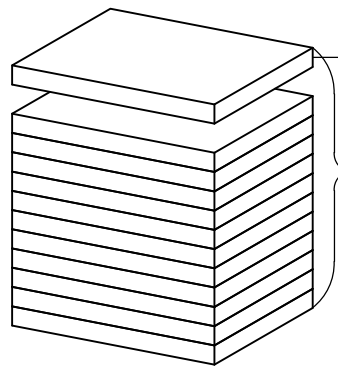


2.3	PCB	FR-4, 0.5t
2.2	CONTACT	Phosphor Bronze C5210 0.35t, 5u" Gold plating over 50u" Nickel
2.1	INSULATOR	Zytel HTNFR52, UL94V-0, Black
2	INSERT	Assembly
1	HOUSING	Zytel HTNFR52, UL94V-0, Black
NO.	PART NAME	DESCRIPTION

UNLESS OTHERWISE SPECIFIED TOLERANCE				 WWW.ATTEND.COM.TW
UNIT:	DECIMAL	LINEAR	ANGLES	
mm	X.	±0.50	±5°	
	X.X	±0.25	±3°	
	X.XX	±0.12	±1°	

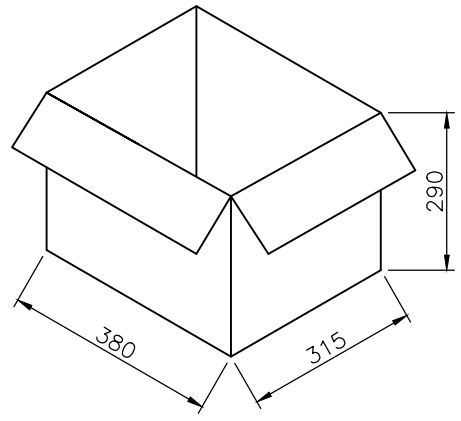
DRAWN	Fros	2015/12/07	DRAWN NAME:	Fros	
CHECKED	Amy	2015/12/07		Cat 5e RJ45 Module Jack, 1x1 Port, Plastic type, 5u" Gold	
APPROVED	Ken	2015/12/07	PRODUCT NO.	210C-11CE0	
SCALE	2/1	SHEET	1/2	SIZE	A4
FILE NAME				210C-11CE0_B_2	

REV.	DESCRIPTION	DRAWN	DATE
	see sheet one		

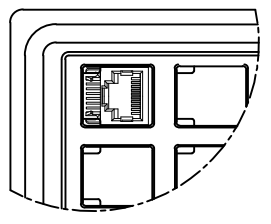


Tray with Cover = 1 Layer
= 7x10pcs = 70pcs

12 Layer = 1 Column
= 70pcsx12Layer = 840pcs

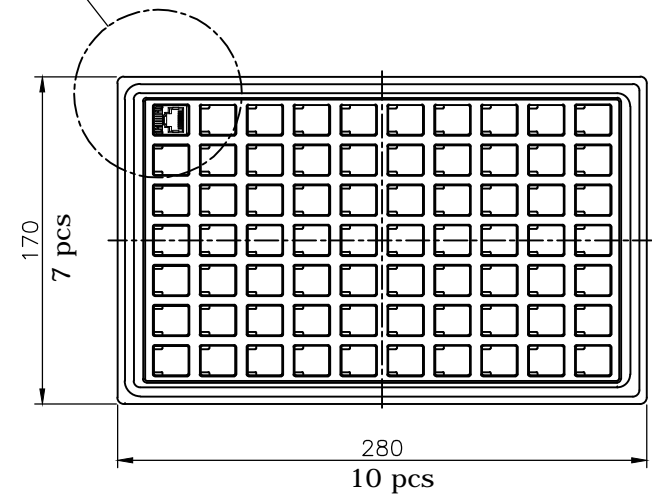




1 Carton = 2 Column
= 840pcsx2 = 1680pcs



Detail A

See A



UNLESS OTHERWISE SPECIFIED TOLERANCE					
UNIT:	DECIMAL	LINEAR	ANGLES		
mm	X.	±0.50	±5°	DRAWN NAME: Cat 5e RJ45 Module Jack, 1x1 Port, Plastic type, 5u" Gold	
	X.X	±0.25	±3°		
	X.XX	±0.12	±1°		
DRAWN	Fros	2015/12/07	PRODUCT NO. 210C-11CE0		
CHECKED	Amy	2015/12/07	FILE NAME 210C-11CE0_B_2		
APPROVED	Ken	2015/12/07			
 SCALE 1/4		SHEET 2/2	SIZE A4		