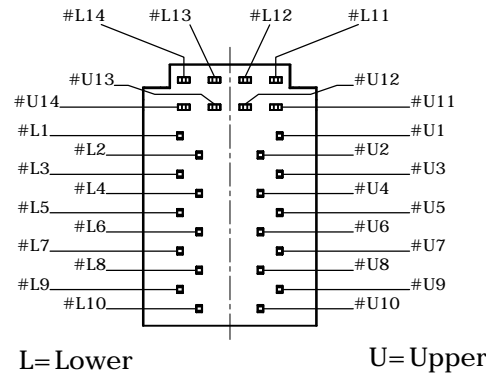
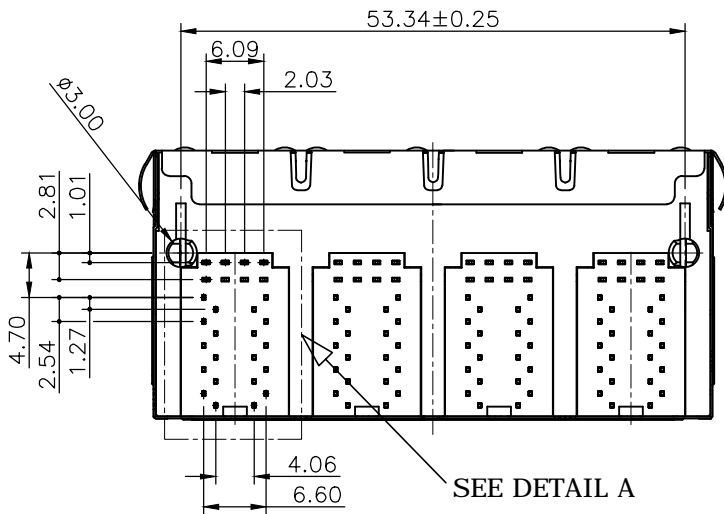
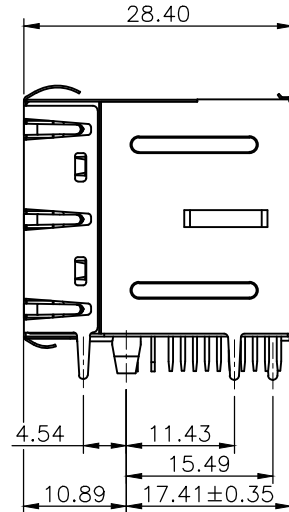
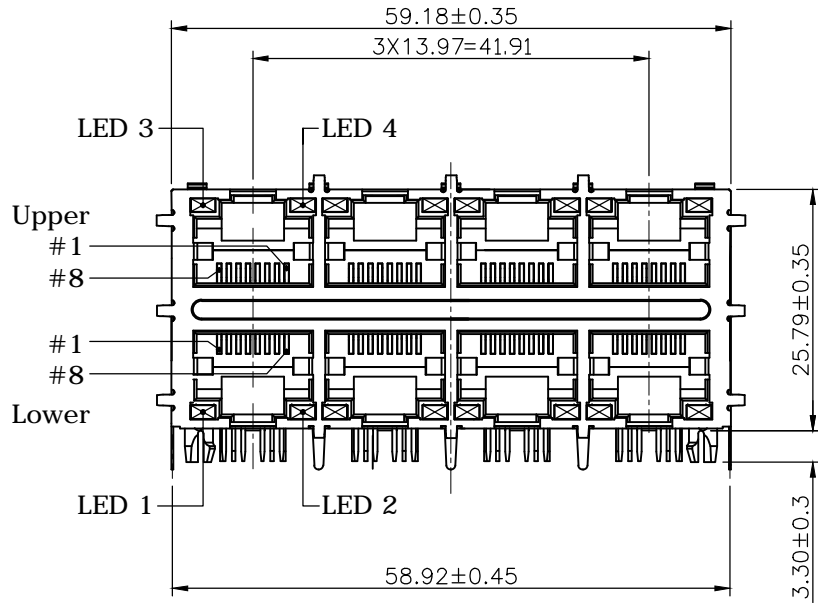


REV.	DESCRIPTION	DRAWN	DATE
1	INITIAL RELEASE	FROS	2016/03/30



DETAIL A
SCALE 2/1

SPECIFICATION:

Characteristics Description:

1. RJ45 10/100 Base-Tx transformer jack with transformer impedance resistor/high voltage capacitor.
2. Size same as RJ-45 modular jack to save PCB space.
3. Reduce EMI radiation, improve EMI performance.
4. Designed for network interface card application.
5. Designed to meet IEEE 802.3u requirement.
6. Designed for 100 Base transmission over UTP-5 cable.

Electrical:

1. Inductance at 100KHz, 100mV 8mA DC bias: 350uH min.
2. Leakage inductance 0.4uH max. at 100KHz 100mV
3. Insertion Loss: 1.1dB max. at 1 to 100 MHz
4. Return Loss:
 - 18dB min at 1 to 30MHz
 - 16dB min at 30 to 60MHz
 - 12dB min. at 60 to 80MHz
5. Cross Talk: 30dB min. at 1 to 100 MHz
6. Common Mode Rejection: 20dB min. at 1 to 100MHz
7. Isolation at 60Hz: 1500Vrms(input to output) 60 sec.

Environmental:

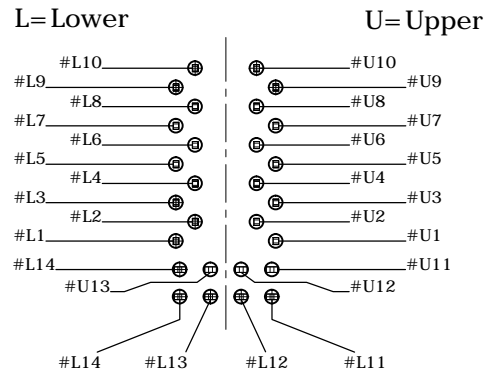
1. Operation Temperature: 0°C to +70°C
2. Storage Temperature: -40°C to +85°C

Mates with modular plug conforming to TIA-1096-A

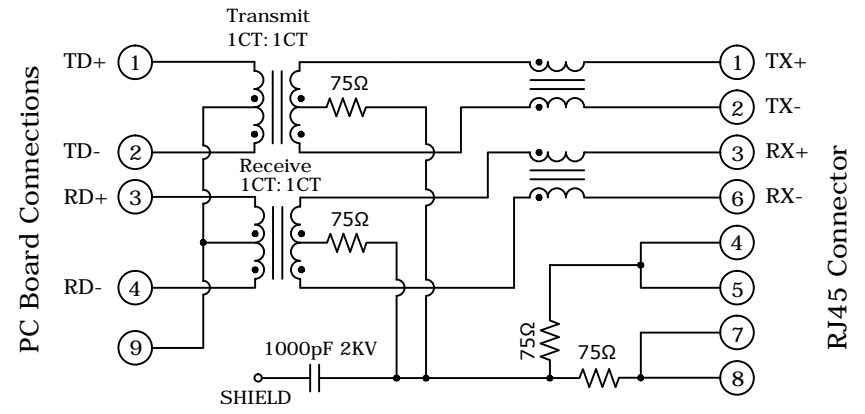
4	SHELL	Brass C2680 0.2t, Nickel plating	
3	CONTACT	Phosphor Bronze 0.35t, Gold plating over Nickel	
2	INSERT	PBT, UL94V-0	
1	HOUSING	PBT, UL94V-0	
NO.	PART NAME	DESCRIPTION	
UNLESS OTHERWISE SPECIFIED TOLERANCE			
UNIT:	DECIMAL	LINEAR	ANGLES
	mm	X, ±0.50	±5°
		X.X ±0.25	±3°
		X.XX ±0.12	±1°
WWW.ATTEND.COM.TW			
DRAWN	Fros	2016/03/30	DRAWN NAME:
CHECKED	Amy	2016/03/30	RJ45 Transformer Jack, 2x4 Port w/ LED (Y & G Bi), w/Shield, w/EMI, 6u"
APPROVED	Ken	2016/03/30	PRODUCT NO. 213A-24CAC-01
SCALE 1.25	SHEET 1/1	SIZE A4	FILE NAME 213A-24CAC-01_B_1



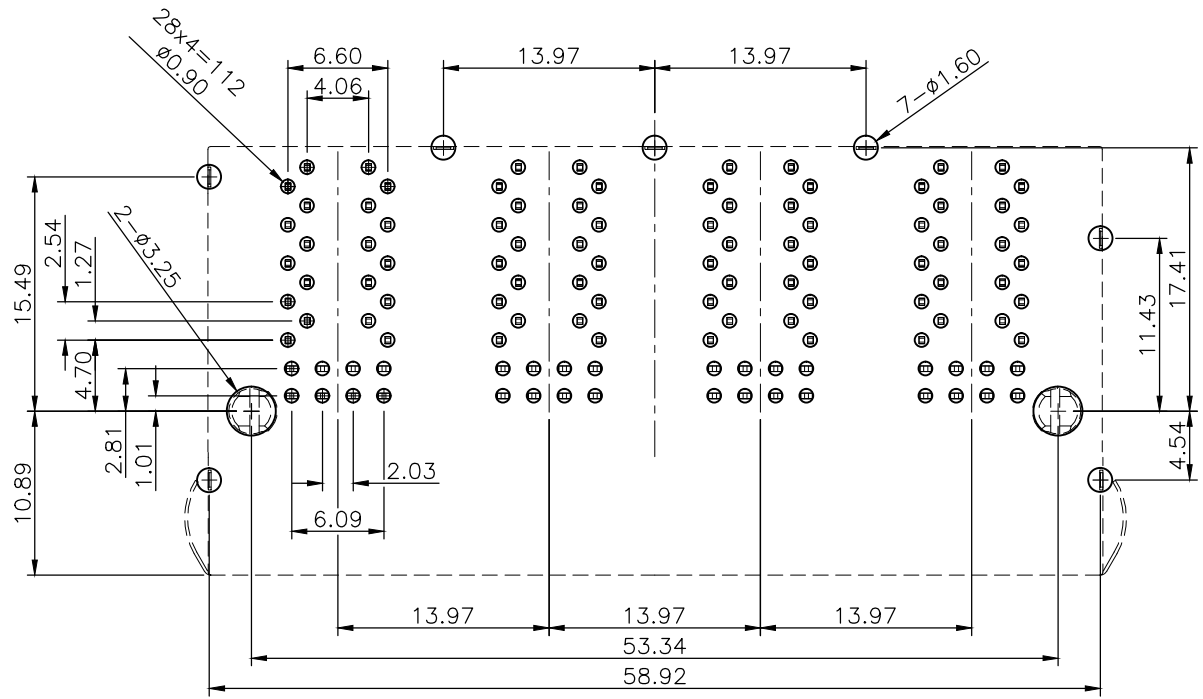
REV.	DESCRIPTION	DRAWN	DATE
	see sheet one		



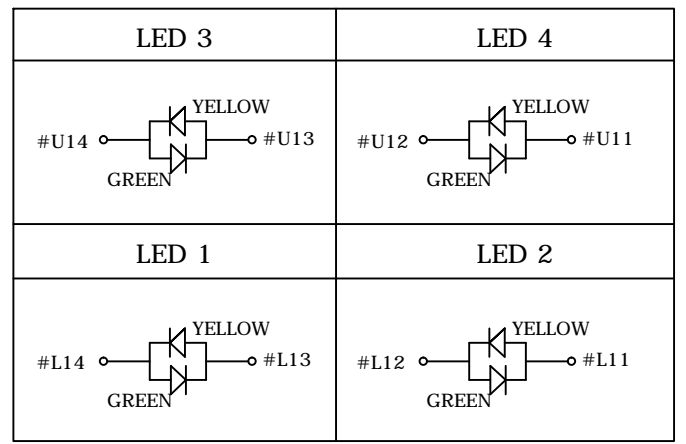
PIN OUT



Schematic: Type 4



RECOMMENDED LAYOUT (TOP VIEW)
GENERAL TOLERANCE: ±0.1mm



UNLESS OTHERWISE SPECIFIED TOLERANCE

UNIT:	DECIMAL	LINEAR	ANGLES
mm	X.	±0.50	±5°
	X.X	±0.25	±3°
	X.XX	±0.12	±1°



DRAWN				Fros		2016/03/30		DRAWN NAME:	
CHECKED				Amy		2016/03/30		RJ45 Transformer Jack, 2x4 Port w/ LED (Y & G Bi), w/Shield, w/EMI, 6u"	
APPROVED				Ken		2016/03/30		PRODUCT NO. 213A-24CAC-01	
SCALE		SHEET		SIZE		FILE NAME			
2/1		2/2		A4		213A-24CAC-01_B_1			

WWW.ATTEND.COM.TW