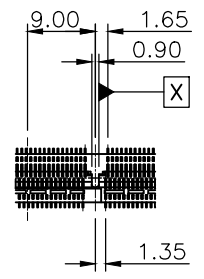
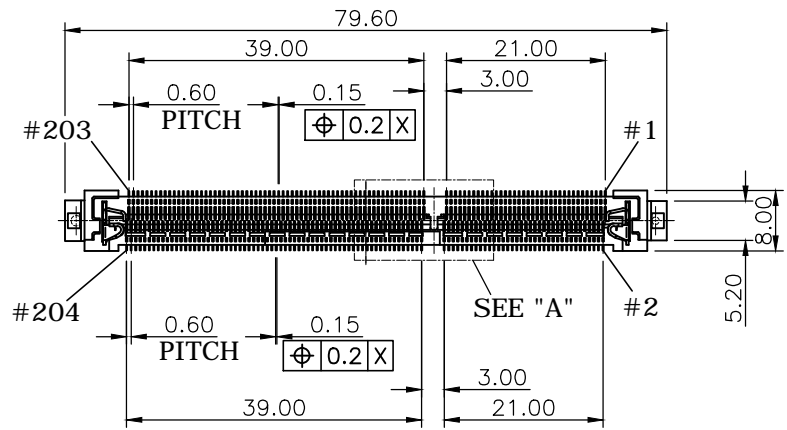
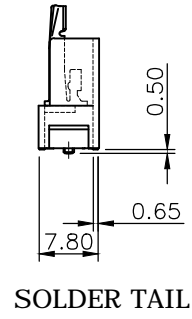
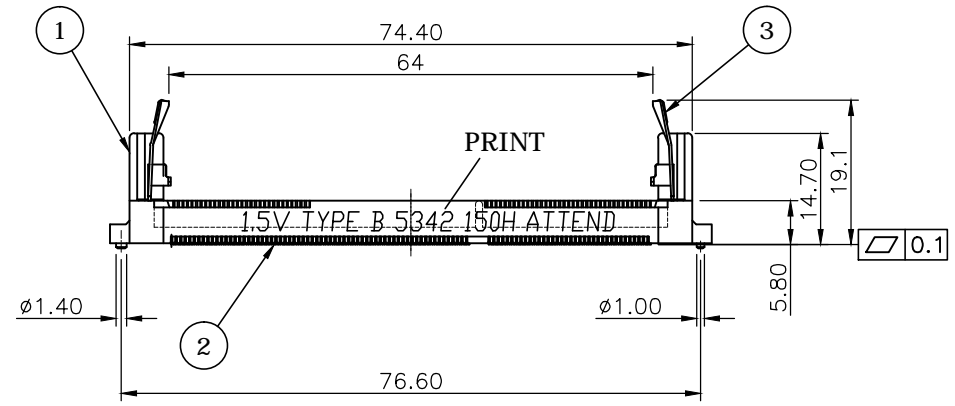


REV.	DESCRIPTION	DRAWN	DATE
1	INITIAL RELEASE	FROS	2015/12/28
2	Revised mylar spec. 10x20x0.05t->6.5x20x0.085t	FROS	2017/04/26



DETAIL "A"
MECHANICAL KEY TYPE



SOLDER TAIL

PRINT: 1.5V TYPE B 5342 150H ATTEND

- ① 1.5V : Operating Voltage
- ② TYPE B : Reverse Orientation
- ③ 5342 : Date Code (YWWD)
- ④ 150H : Housing Height
- ⑤ ATTEND : Logo

SPECIFICATION:

1. ELECTRICAL
 - 1.1 Current Rating: 0.5A per pin
 - 1.2 Voltage Rating: 25V AC/DC
 - 1.3 Contact Resistance: 60mΩ
 - 1.4 Insulation Resistance: 500MΩ
 - 1.5 Dielectric Withstanding Voltage: 120VAC
2. MECHANICAL
 - 2.1 Durability: 25 Cycle
 - 2.2 Latch Retention Force: 8N/ Pos. Min.
3. ENVIRONMENTAL
 - 3.1 Operating temperature range: -40°C~+85°C
 - 3.2 Storage temperature range: -40°C~+85°C
4. SOLDER ABILITY
 - 4.1 Recommended IR Reflow(Wave Soldering) Temperature: 255°C 10Sec

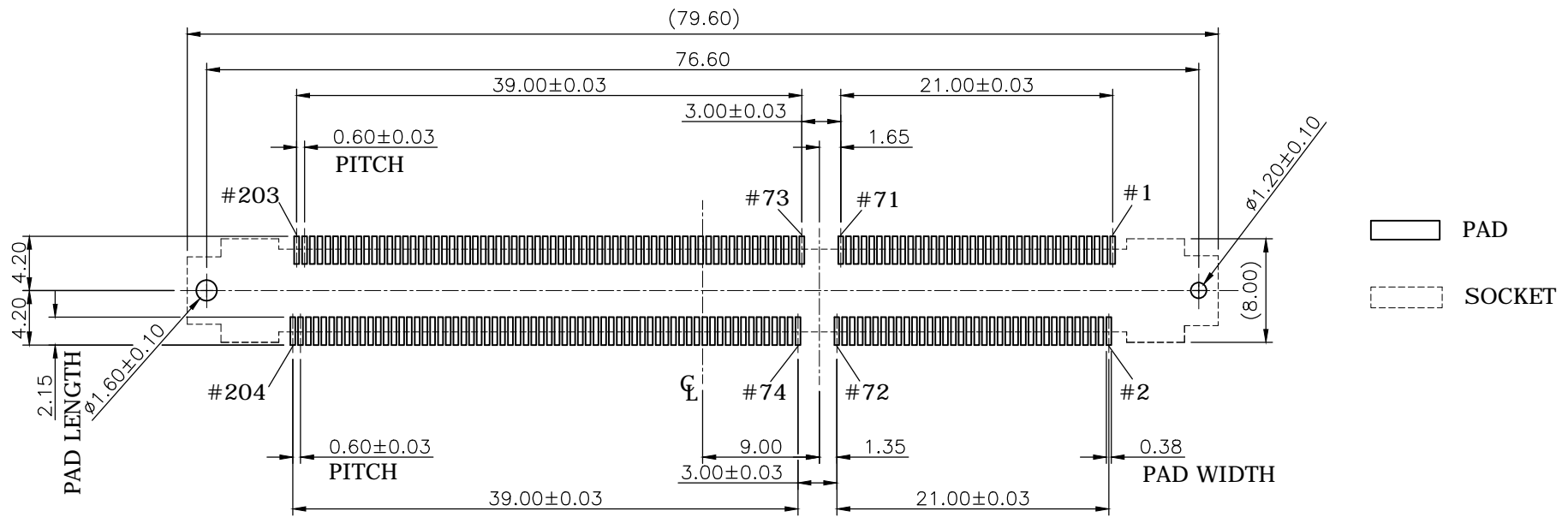
P/N: 122B - 150 A 1 1

- 122B : S.O DIMM DDR3 Socket vertical type
- 150 : Housing height
- A : Gold flash plating on contact area
- 1 : Reverse card direction type
- 1 : Beige color, tray, long latch

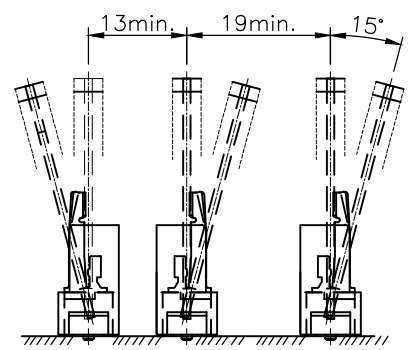
3	LATCH	STAINLESS STEEL	
2	CONTACT	PHOSPHOR BRONZE, GOLD FLASH	
1	HOUSING	LCP, UL94V-0, NATURAL	
NO.	PART NAME	DESCRIPTION	
UNLESS OTHERWISE SPECIFIED TOLERANCE			
UNIT:	DECIMAL	LINEAR	ANGLES
	X.	±0.50	±5°
	X.X	±0.25	±3°
	X.XX	±0.12	±1°
		WWW.ATTEND.COM.TW	
DRAWN	Fros	2015/12/28	DRAWN NAME: DDR3 SO DIMM SOCKET VERTICAL TYPE B LONG LATCH TYPE
CHECKED	Amy	2015/12/28	
APPROVED	Ken	2015/12/28	PRODUCT NO. 122B-150A11
SCALE	1/1	SHEET	1/3
			SIZE
FILE NAME		122B-150A11_B_2	




REV.	DESCRIPTION	DRAWN	DATE
	see sheet one		



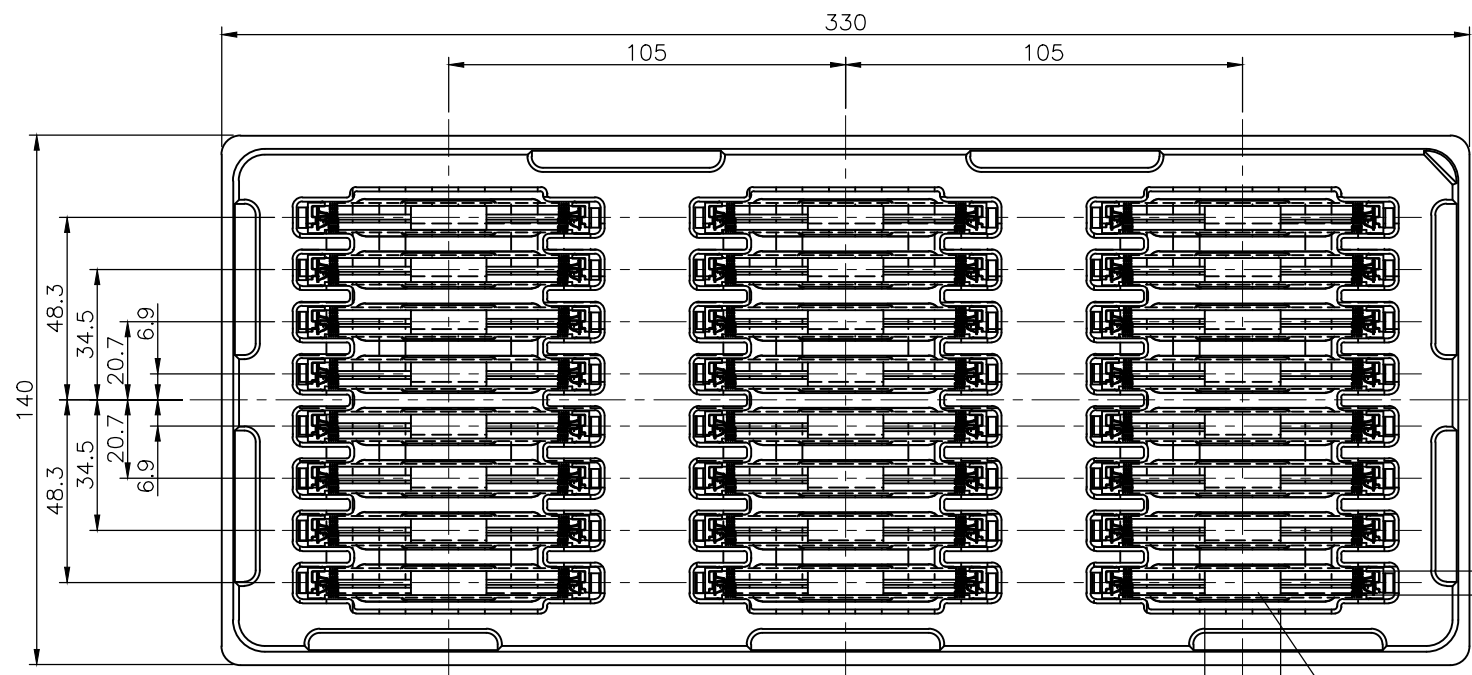
RECOMMENDED LAYOUT (TOP VIEW)
GENERAL TOLERANCE: ±0.05



RECOMMENDED SOCKET MOUNTING LAYOUT

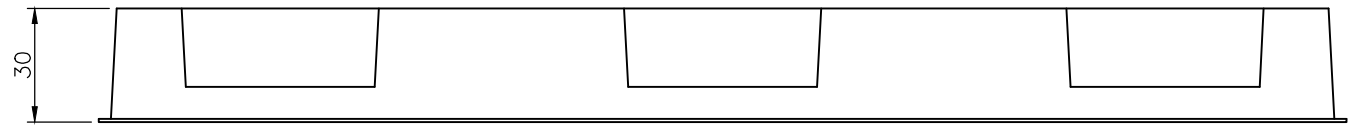
UNLESS OTHERWISE SPECIFIED TOLERANCE				 WWW.ATTEND.COM.TW
UNIT:	DECIMAL	LINEAR	ANGLES	
mm	X.	±0.50	±5°	
	X.X	±0.25	±3°	
	X.XX	±0.12	±1°	
DRAWN	Fros	2015/12/28	DRAWN NAME:	
CHECKED	Amy	2015/12/28	DDR3 SO DIMM SOCKET VERTICAL TYPE B LONG LATCH TYPE	
APPROVED	Ken	2015/12/28	PRODUCT NO. 122B-150A11	
SCALE	1/1	SHEET 2/3	SIZE A4	FILE NAME 122B-150A11_B_2

REV.	DESCRIPTION	DRAWN	DATE
	see sheet one		



6.5 Mylar: 6.5x20x0.085t

20 SUCTION TAPE



NOTE:
 8X3= 24 PCS/ TRAY
 4 TRAY / INNER BOX
 3 INNER BOX / CARTON
 24X4X3= 288 PCS / CARTON

UNLESS OTHERWISE SPECIFIED TOLERANCE					
UNIT:	DECIMAL	LINEAR	ANGLES		
mm	X.	±0.50	±5°	DRAWN NAME: DDR3 SO DIMM SOCKET VERTICAL TYPE B LONG LATCH TYPE	
	X.X	±0.25	±3°		
	X.XX	±0.12	±1°		
DRAWN	Fros	2015/12/28	DRAWN NAME:		
CHECKED	Amy	2015/12/28	DDR3 SO DIMM SOCKET VERTICAL TYPE B LONG LATCH TYPE		
APPROVED	Ken	2015/12/28	PRODUCT NO.	122B-150A11	
	SCALE	SHEET	SIZE	FILE NAME	
	1/2	3/3	A4	122B-150A11_B_2	