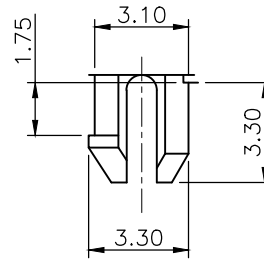
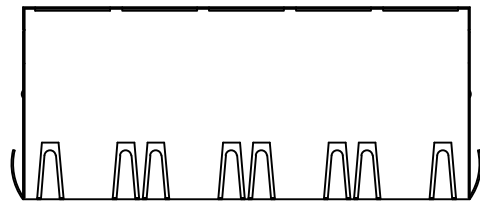
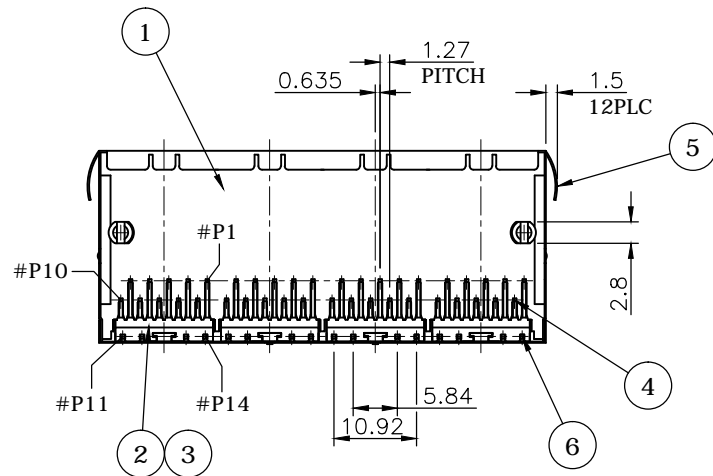
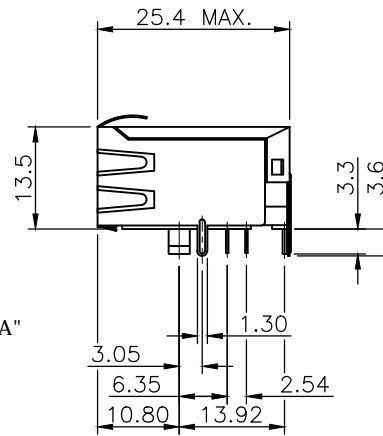
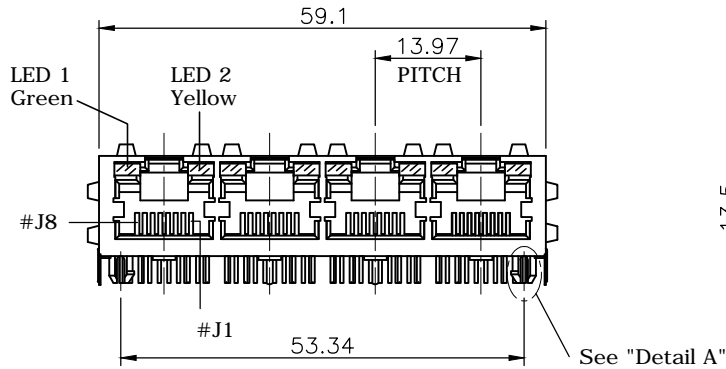


REV.	DESCRIPTION	DRAWN	DATE
1	INITIAL RELEASE	FROS	2016/06/16
2	REVISED P/N	FROS	2017/04/28



Detail A
Scale 4/1




ELECTRICAL CHARACTERISTICS

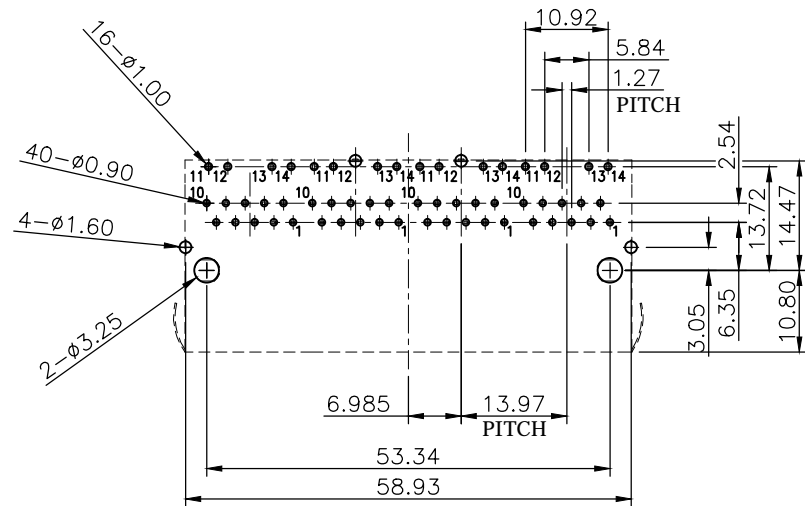
TEST NOTES: (25°±5°C)

- TR: (100KHz, 0.1V);
PINS: (2,3):(J1,J2)=1CT:1CT±3%;(4,5):(J3,J6)=1:1±3%
PINS: (6,7):(J4,J5)=1CT:1CT±3%;(8,9):(J7,J8)=1:1±3%
- LX: (100KHz, 100mV, 8mA, DC Bias)
PINS: (J1,J2), (J3,J6), (J4,J5), (J7,J8)= 350uH MINIMUM
- DCR:
PINS: (2,3), (4,5), (6,7), (8,9)= 1.5 OHMS MAXIMUM.
PINS: (J1,J2), (J3,J6), (J4,J5), (J7,J8)= 1.5 OHMS MAXIMUM.
- HIPOT:
PINS(2,3)TO(J1,J2): (4,5)TO(J3,J6)= 1500VAC FOR 2 SECONDS
PINS(6,7)TO(J4,J5): (8,9)TO(J7,J8)= 1500VAC FOR 2 SECONDS
- INSERTION LOSS:
-0.5dB MAXIMUM AT 1MHz TO 65MHz
-0.8dB MAXIMUM AT 65MHz TO 100MHz
-1.2dB MAXIMUM AT 100MHz TO 125MHz
- RETURN LOSS:
-16dB MINIMUM AT 1MHz TO 30MHz
-13.5dB MINIMUM AT 30MHz TO 40MHz
-11.5dB MINIMUM AT 40MHz TO 50MHz
-10dB MINIMUM AT 50MHz TO 80MHz
- CROSS TALK:
-30dB MINIMUM AT 1MHz TO 100MHz
- COMMON TO DIFFERENTIAL MODE REJECTION
-30dB MINIMUM AT 1MHz TO 100MHz
- COMMON TO COMMON MODE REJECTION
-30dB MINIMUM AT 1MHz TO 100MHz

6	LED	Steel Solder tail
5	SHELL	Brass, Nickel plating
		Phosphor Bronze, gold plating on contact area, gold flash on solder tail, under plating nickel
4	COTNACT	
3	COVER	Brass, Nickel plating
2	INSERT	PA46, UL94V-0, Black
1	HOUSING	PBT, UL94V-0, Black

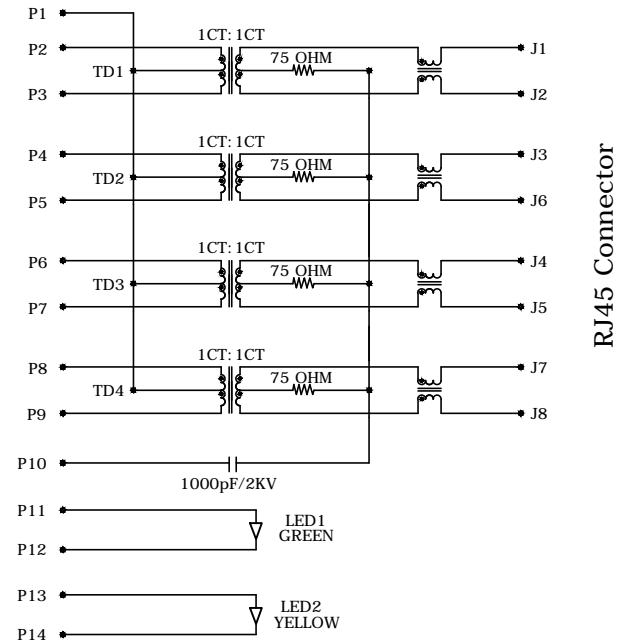
NO.		PART NAME		DESCRIPTION	
UNLESS OTHERWISE SPECIFIED TOLERANCE					
UNIT:	DECIMAL	LINEAR	ANGLES		 WWW.ATTEND.COM.TW
	mm	X.	±0.50	±5°	
		X.X	±0.25	±3°	
		X.XX	±0.12	±1°	
DRAWN	Fros	2016/06/16	DRAWN NAME: RJ45 Jack Magnetic Type, Giga, Up Latch 1x4 Port, R/A, w/LED(G+Y), 6u", PBT, Tray		
CHECKED	Ron	2016/06/16			
APPROVED	Ken	2016/06/16	PRODUCT NO.	213B-14CAB-01	2
SCALE	1/1	SHEET	1/2	SIZE	A4
FILE NAME		213B-14CAB-01_B_2			

REV.	DESCRIPTION	DRAWN	DATE
	see sheet one		


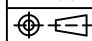


RECOMMENDED LAYOUT (TOP VIEW)
GENERAL TOLERANCE: ±0.05

PCB Board Connections



SCHMATIC: GIGA TYPE4

UNLESS OTHERWISE SPECIFIED TOLERANCE				 WWW.ATTEND.COM.TW		
UNIT:	DECIMAL	LINEAR	ANGLES			DRAWN NAME: RJ45 Jack Magnetic Type, Giga, Up Latch 1x4 Port, R/A, w/LED(G+Y), 6u", PBT, Tray
mm	X.	±0.50	±5°			
	X.X	±0.25	±3°			
	X.XX	±0.12	±1°			
DRAWN	Fros	2016/06/16	PRODUCT NO.	213B-14CAB-01		
CHECKED	Ron	2016/06/16	FILE NAME	213B-14CAB-01_B_2		
APPROVED	Ken	2016/06/16	SCALE	1/1		
		SHEET	2/2	SIZE	A4	