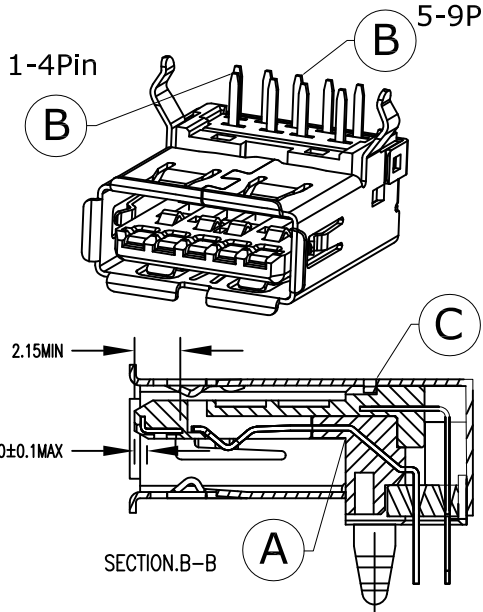
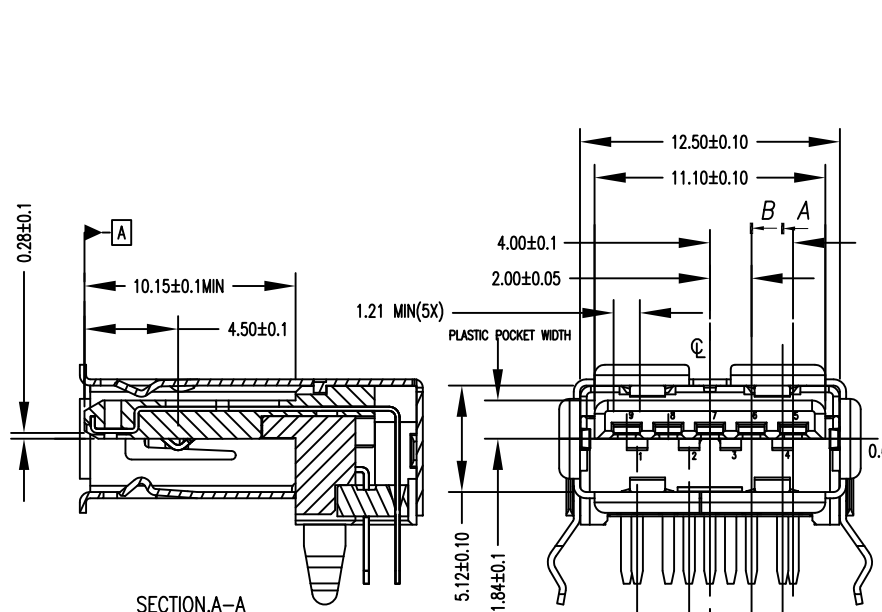


SWITCH CIRCUIT

MATERIAL AND FINISH AS BELOW

WHEN CARD IS EJECTED	WHEN CARD IS INSERTED	A	Housing	LCP UL94V-0 Blue	C	Shell	Stainless Steel SUS301,Nickel Plated
		B	Contact	Phosphor Bronze C5191,1-4Pin Brass C2680,5-9Pin Contact Area: 30u" Gold ,Solder Area: Tin	D		
					E		
					F		



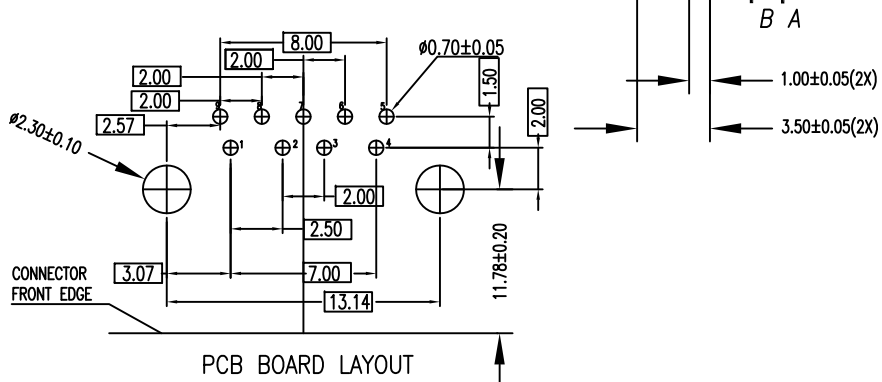
SPECIFICATION:

- 1. ELECTRICAL**
- 1.1 Current Rating: 1.8AMP
 - 1.2 Voltage Rating: 30VAC
 - 1.3 Contact Resistance: 30mΩ
 - 1.4 Insulation Resistance: 100MΩ
 - 1.5 Dielectric Withstanding Voltage: 100VAC

- 2. MECHANICAL**
- 2.1 Durability: 1500Cycle
 - 2.2 Insertion Force: 35N max
 - 2.3 Extraction Force: 10N min

- 3. ENVIRONMENTAL**
- 3.1 Operating temperature: -55°C to +85°
 - 3.2 Storage temperature: -55°C to +85°

- 4. SOLDER ABILITY**
- 4.1 Recommended IR Reflow Temperature: 260°C



Pin Assignments	
Pin No.	Signal Name
1	VBUS
2	D-
3	D+
4	GND
5	StdA_SSRX-
6	StdA_SSRX+
7	GND_DRAIN
8	StdA_SSTX-
9	StdA_SSTX+
Shell	Shield

P1	P2	P3	P4	P5	P6	P7	P8	P9	P10	P11	P12
PIN ASSIGNMENT											
209B-DG01				USB3.0 A Receptacle, DIP Standard Type ,30u" Gold							
PRODUCT NO.		DESCRIPTION									

UNLESS OTHERWISE SPECIFIED TOLERANCE		
ANGLES	ANG.	±5°
LINEAR	0.	±0.3
	0.0	±0.25
	0.00	±0.20
SCALE	AS SHOWN	UNIT: mm
DRAWN	Willis	2013/02/19
CHECKED	Angel	2013/02/19
APPROVED	Ken	2013/02/19

ATTEND

www.attend.com.tw

DRAWN NAME: USB3.0 A Receptacle Dip Standard Type

PRODUCT NO. 209B-DG01

- △ Revise:
- △ Revise:
- △ Revise:

REV.	DESCRIPTION	DATE	REV.	DESCRIPTION	DATE	SIZE	REV.	FILE NAME
1						A4	1.0	209B-DG01_B_3