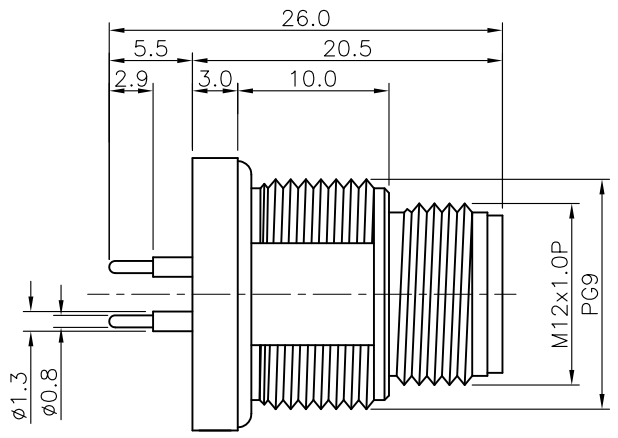
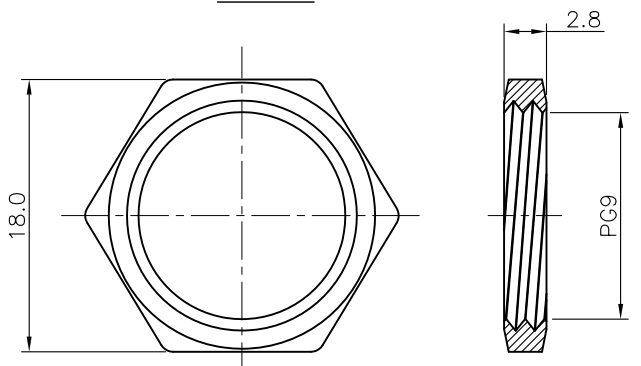
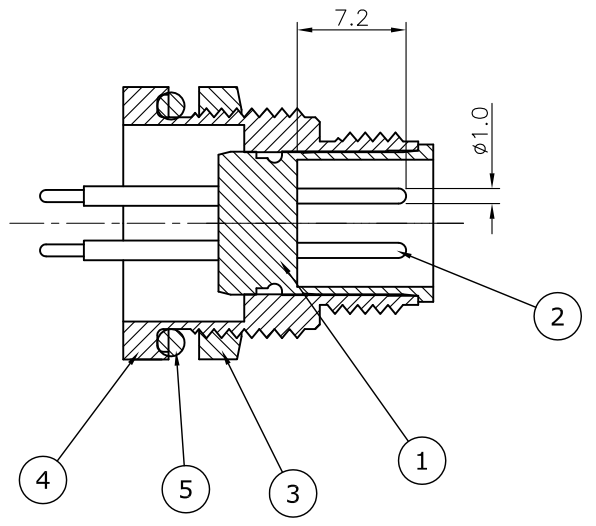
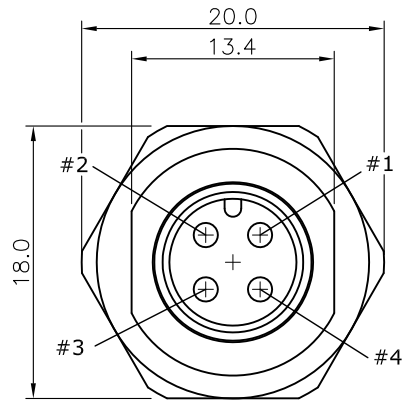


REV.	DESCRIPTION	DRAWN	DATE
1	INITIAL RELEASE	FROS	2015/09/08
2	ECR-1700024	FROS	2017/10/06



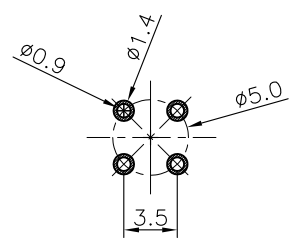
**BODY**



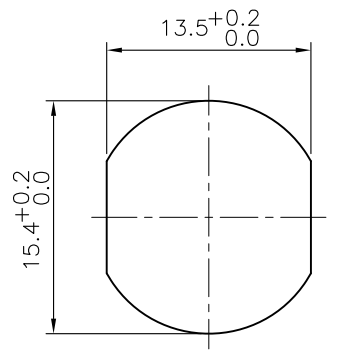
**NUT**

**SPECIFICATION:**

1. CURRENT RATING: 5A
2. VOLTAGE: 125V
3. WATER PROOF: IPX7
4. OPERATION TEMPERATURE: -40°C TO +85°C



**RECOMMEND PCB LAYOUT**



**RECOMMEND PANEL CUT OUT**

5	O-RING	EPDM
4	SHELL	BRASS, NICKEL PLATED
3	NUT	BRASS, NICKEL PLATED
2	CONTACT	BRASS, 10u" GOLD PLATED UNDER NICKEL
1	HOUSING	PBT, UL94V-0, BLACK
NO	PART NAME	DESCRIPTION

UNLESS OTHERWISE SPECIFIED TOLERANCE			
UNIT:	DECIMAL	LINEAR	ANGLES
mm	X.	±0.50	±5°
	X.X	±0.25	±3°
	X.XX	±0.12	±1°



WWW.ATTEND.COM.TW

DRAWN	Fros	2015/09/08	DRAWN NAME:	
CHECKED	Zola	2015/09/08	M12 A-Code Male Receptacle, 4 Pin, DIP Type, Front Fastened	
APPROVED	Ken	2015/09/08	PRODUCT NO.	216A-04MSF
SCALE	2/1	SHEET	1/1	SIZE
			FILE NAME	216A-04MSF_B_2