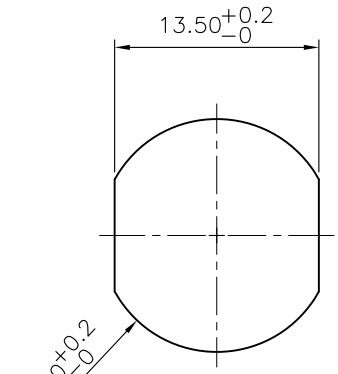
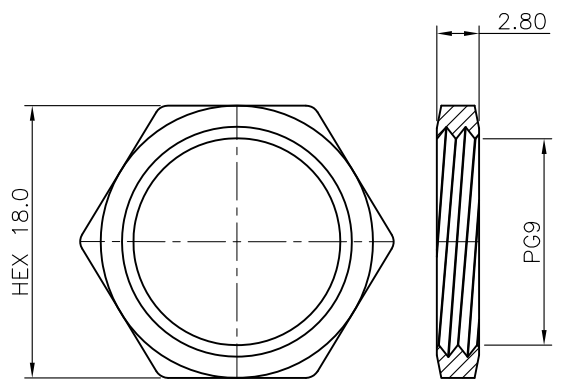
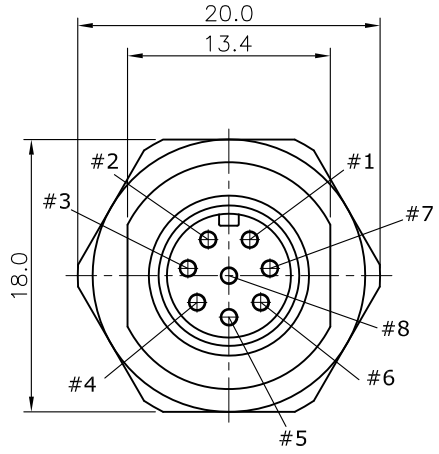
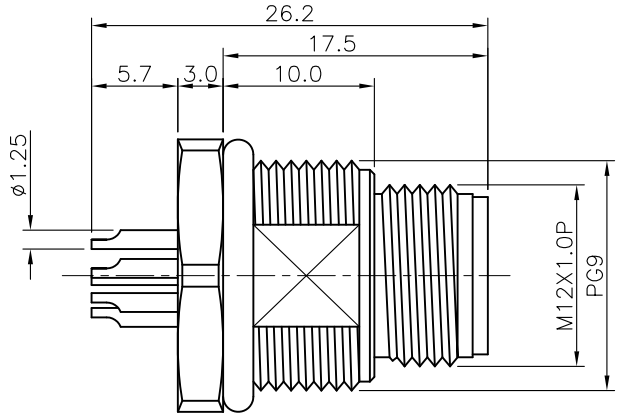


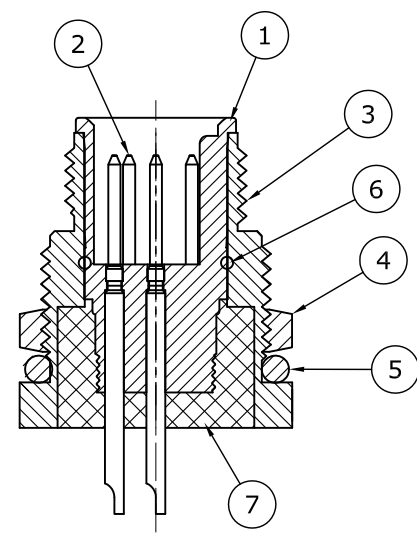
REV.	DESCRIPTION	DRAWN	DATE
1	INITIAL RELEASE	FROS	2017/10/18



PANEL CUT-OUT

**SPECIFICATION:**

1. ELECTRICAL
  - 1.1 Current Rating: 5A
  - 1.2 Voltage Rating: 125V
  - 1.3 Water Proof: IPX7
  - 1.4 Operating Temperature: -40°C~+85°C



7	EPOXY BASE	Epoxy, Black
6	O-RING A	Silicone, Black
5	O-RING B	EPDM, Black
4	NUT	Brass, Nickel plating
3	SHELL	Brass, Nickel plating
2	CONTACT	Brass, 10u" Gold plating over Nickel
1	HOUSING	PBT, UL94V-0, Black

NO.		PART NAME	DESCRIPTION
UNLESS OTHERWISE SPECIFIED TOLERANCE			
UNIT:	DECIMAL	LINEAR	ANGLES
mm	X.	±0.50	±5°
	X.X	±0.25	±3°
	X.XX	±0.12	±1°
DRAWN	Fros	2017/10/18	DRAWN NAME: M12 A-Code Receptacle, 8Pin Male Solder Type Front Fastened
CHECKED	Tim	2017/10/18	
APPROVED	Ken	2017/10/18	PRODUCT NO. 216A-08MAF
SCALE	SHEET	SIZE	FILE NAME
2/1	1/1	A4	216A-08MAF_B_1



www.attend.com.tw