

REV.	DESCRIPTION	DRAWN	DATE
2	REVISED PN TABLE LIST, NEW FRAME	FROS	2015/09/14
3	REVISED PN TABLE LIST	Tim	2016/07/11
4	ECR1800007, SPACER material Nylon -> LCP	Fros	2018/04/03

4	HOLD DOWN	Brass C2680R-H, Gold Flash & over Nickel 50 to 150u" under-plating
3	CONTACT	Phosphor Bronze C5191R-H, Gold Flash & over Nickel 50 to 150u" under-plating
2	SPACER	LCP UL94V-0, Natural color
1	INSULATOR	LCP UL94V-0, Natural color
NO.	PART NAME	DESCRIPTION

UNLESS OTHERWISE SPECIFIED TOLERANCE			
UNIT:	DECIMAL	LINEAR	ANGLES
mm	X.	±0.50	±5°
	X.X	±0.25	±3°
	X.XX	±0.12	±1°



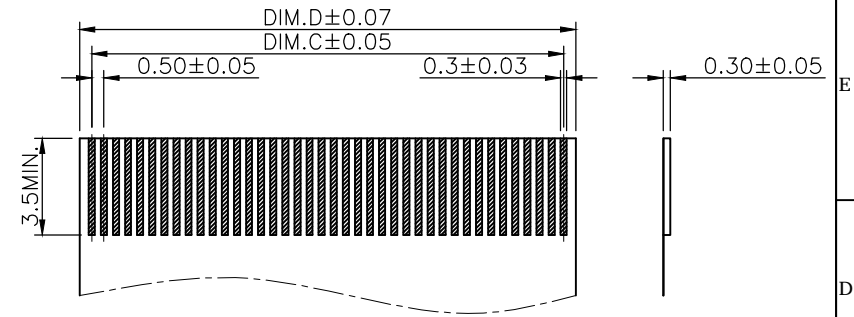
DRAWN	Willis	2012/08/03	DRAWN NAME:	FPC Connector Horizontal Type
CHECKED	Angel	2012/08/03		Pitch: 0.5mm Thickness: 2.0mm
APPROVED	Ken	2012/08/03	PRODUCT NO.	See Page 2, PN Table
SCALE	4/1	SHEET	1/2	SIZE
				A4
FILE NAME			314A-XXBAA-R_B_4	

WWW.ATTEND.COM.TW

REV.	DESCRIPTION	DRAWN	DATE
	see sheet one		

△ : the pins that are with mold and under mass production


	POS.	DIM.A	DIM.B	DIM.C	DIM.D		POS.	DIM.A	DIM.B	DIM.C	DIM.D
△ <sub>2</sub>	5	7.25	<del>6.80</del>	2.00	3.00	△ <sub>3</sub>	36	<del>22.75</del>	<del>22.30</del>	17.50	18.50
△ <sub>3</sub>	6	7.75	<del>7.30</del>	2.50	3.50		37	23.25	22.80	18.00	19.00
	7	8.25	7.80	3.00	4.00		38	23.75	23.30	18.50	19.50
△	8	8.75	8.30	3.50	4.50		39	24.25	23.80	19.00	20.00
	9	9.25	8.80	4.00	5.00	△	40	24.75	24.30	19.50	20.50
△	10	9.75	9.30	4.50	5.50		41	25.25	24.80	20.00	21.00
	11	10.25	9.80	5.00	6.00		42	25.75	25.30	20.50	21.50
△	12	10.75	10.30	5.50	6.50		43	26.25	25.80	21.00	22.00
	13	11.25	10.80	6.00	7.00		44	26.75	26.30	21.50	22.50
	14	11.75	11.30	6.50	7.50	△	45	27.25	26.80	22.00	23.00
	15	12.25	11.80	7.00	8.00		46	27.75	27.30	22.50	23.50
△ <sub>2</sub>	16	12.75	12.30	7.50	8.50		47	28.25	27.80	23.00	24.00
	17	13.25	12.80	8.00	9.00		48	28.75	28.30	23.50	24.50
△	18	13.75	13.30	8.50	9.50		49	29.25	28.80	24.00	25.00
	19	14.25	13.80	9.00	10.00	△	50	29.75	29.30	24.50	25.50
△	20	14.75	14.30	9.50	10.50		51	30.25	29.80	25.00	26.00
	21	15.25	14.80	10.00	11.00		52	30.75	30.30	25.50	26.50
△ <sub>2</sub>	22	15.75	15.30	10.50	11.50		53	31.25	30.80	26.00	27.00
	23	16.25	15.80	11.00	12.00	△	54	31.75	31.30	26.50	27.50
△	24	16.75	16.30	11.50	12.50	△	55	32.25	31.80	27.00	28.00
	25	17.25	16.80	12.00	13.00	△ <sub>3</sub>	56	<del>32.75</del>	<del>32.30</del>	<del>27.50</del>	<del>28.50</del>
△	26	17.75	17.30	12.50	13.50						
	27	18.25	17.80	13.00	14.00						
	28	18.75	18.30	13.50	14.50						
	29	19.25	18.80	14.00	15.00						
△	30	19.75	19.30	14.50	15.50						
	31	20.25	19.80	15.00	16.00						
△	32	20.75	20.30	15.50	16.50						
	33	21.25	20.80	16.00	17.00						
△ <sub>3</sub>	34	<del>21.75</del>	<del>21.30</del>	<del>16.50</del>	<del>17.50</del>						
	35	22.25	21.80	17.00	18.00						



**PN TABLE**

314A-XX B A A - R

- RoHS
- A: Reel
- A: Gold Flash Plated
- B: Bottom Contact
- XX: Pin Count

UNLESS OTHERWISE SPECIFIED TOLERANCE				 WWW.ATTEND.COM.TW
UNIT:	DECIMAL	LINEAR	ANGLES	
mm	X.     ±0.50	X.X    ±0.25	±5°	
	X.XX   ±0.12		±3°	
			±1°	
DRAWN	Willis	2012/08/03	DRAWN NAME:	
CHECKED	Angel	2012/08/03	FPC Connector Horizontal Type Pitch: 0.5mm Thickness: 2.0mm	
APPROVED	Ken	2012/08/03	PRODUCT NO. See PN Table	
SCALE	1/1	SHEET	2/2	FILE NAME
		SIZE	A4	314A-XXBAA-R_B_4