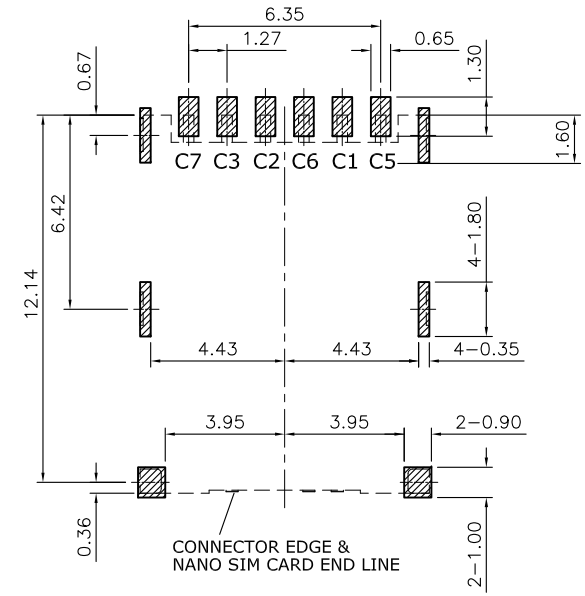
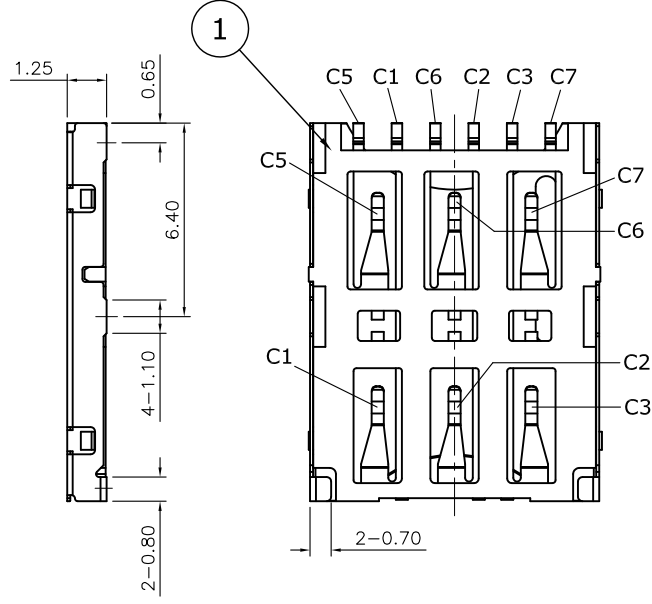
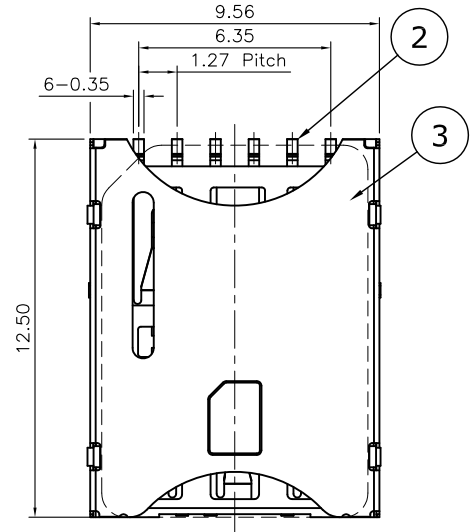
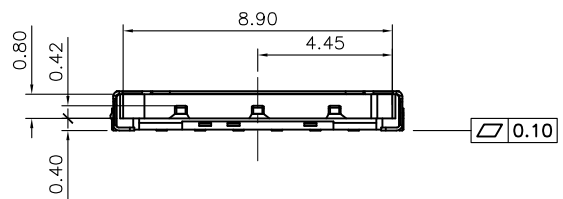


REV.	DESCRIPTION	DRAWN	DATE
1	INITIAL RELEASE	FROS	2018/01/19



RECOMMENDED LAYOUT
GENERAL TOLERANCE: ±0.05



SIM CARD PIN ASSIGNMENT

PIN	ASSIGNMENT
C1	Vcc
C2	RST
C3	CLK
C4	Reserved
C5	GND
C6	Vpp
C7	I/O
C8	Reserved

3	SHELL	Stainless Steel, gold flash on tail area under nickel plating	
2	TERMINAL	Phosphor Bronze, 10u" selective gold under nickel plating	
1	HOUSING	LCP, UL94V-0, Black	
NO.	PART NAME	DESCRIPTION	
UNLESS OTHERWISE SPECIFIED TOLERANCE			
UNIT:	DECIMAL	LINEAR	ANGLES
	mm	X, X	±0.50 ±3°
		X, XX	±0.25 ±1°
WWW.ATTEND.COM.TW			
DRAWN	Fros	2018/01/19	DRAWN NAME: 6P Nano SIM Socket, Push-Pull Type, 1.2H
CHECKED	Tim	2018/01/19	
APPROVED	Ken	2018/01/19	PRODUCT NO. 115U-A000
SCALE	SHEET	SIZE	FILE NAME
4/1	1/1	A4	115U-A000_B_1

