

REV.	DESCRIPTION	DRAWN	DATE
1	INITIAL RELEASE	TIM	2018/01/19

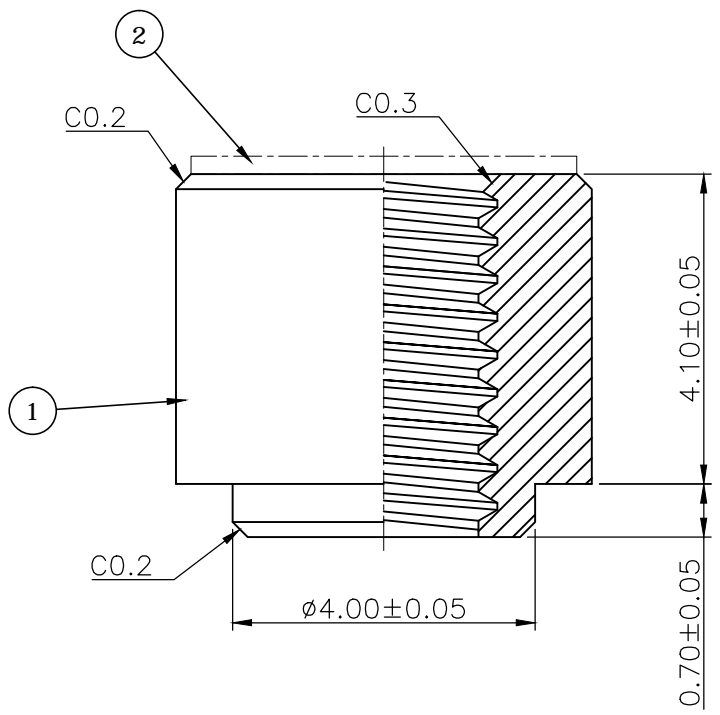
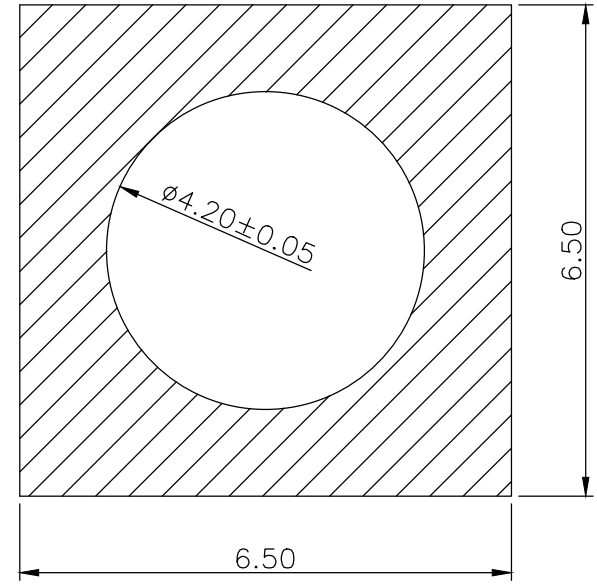
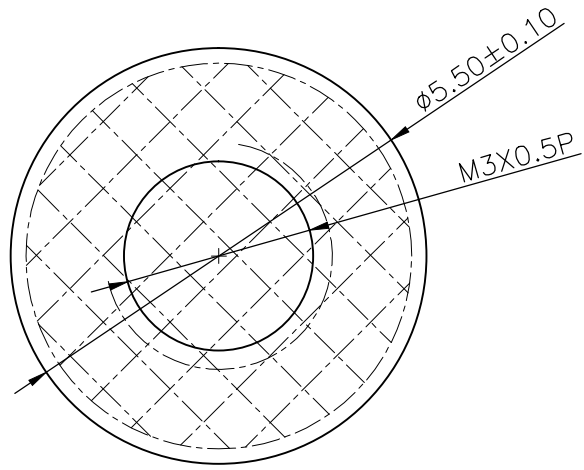
SPECIFICATION:

1. ELECTRICAL
 - 1.1 Current Rating: 0.5A per pin
 - 1.2 Voltage Rating: 50VAC
 - 1.3 Contact Resistance: 50mΩ
 - 1.4 Insulation Resistance: 500MΩ
 - 1.5 Dielectric Withstanding Voltage: 300VAC
2. MECHANICAL
 - 2.1 Durability: 60 Cycle
 - 2.2 Mating Force: 20N max.
 - 2.3 Un-mating Force: 25N max.
3. ENVIRONMENTAL
 - 3.1 Operating temperature range: -40°C~+80°C
 - 3.2 Storage temperature range: -40°C~+80°C
4. SOLDER ABILITY
 - 4.1 Recommended IR Reflow (Wave Soldering) Temperature: 260°C

4	HOLD DOWN	BRASS, 100u" Matte Tin plated, under-plated Nickel 50u"	
3	LOWER CONTACT	Copper Alloy	
2	UPPER CONTACT	Contact area: Gold flash, Solder area: Matte Tin, all under-plated Nickel 50u"	
1	INSULATOR	LCP, UL94V-0, BLACK	
NO.	PART NAME	DESCRIPTION	
UNLESS OTHERWISE SPECIFIED TOLERANCE			
UNIT:	DECIMAL	LINEAR	ANGLES
mm	X.	±0.50	±5°
	X.X	±0.25	±3°
	X.XX	±0.12	±1°
WWW.ATTEND.COM.TW			
DRAWN	Tim	2018/01/19	DRAWN NAME:
CHECKED	Fros	2018/01/19	M.2 CONNECTOR KEY ID "B" 0.5MM PITCH 5.8H ASS'Y
APPROVED	Ken	2018/01/19	PRODUCT NO. 123A-58B00
SCALE	1/1	SHEET 1/1	SIZE A4
FILE NAME		123A-58B00_B_1	



REV.	DESCRIPTION	DRAWN	DATE
1	INITIAL RELEASE	TIM	2018/01/19



RECOMMEND LAYOUT
GENERAL TOLERANCE: ± 0.1

2	MYLAY		
1	NUT	Copper Alloy, Sn plated	
NO.	PART NAME	DESCRIPTION	
UNLESS OTHERWISE SPECIFIED TOLERANCE			
UNIT:	DECIMAL	LINEAR	ANGLES
mm	X.	± 0.50	$\pm 5^\circ$
	X.X	± 0.25	$\pm 3^\circ$
	X.XX	± 0.12	$\pm 1^\circ$
			WWW.ATTEND.COM.TW
DRAWN	Tim	2018/01/19	DRAWN NAME:
CHECKED	Fros	2018/01/19	M.2 Connector Stand off
APPROVED	Ken	2018/01/19	PRODUCT NO. 123A-NUT-58
SCALE 10/1		SHEET 1/1	SIZE A4
FILE NAME		123A-NUT-58_B_1	

