

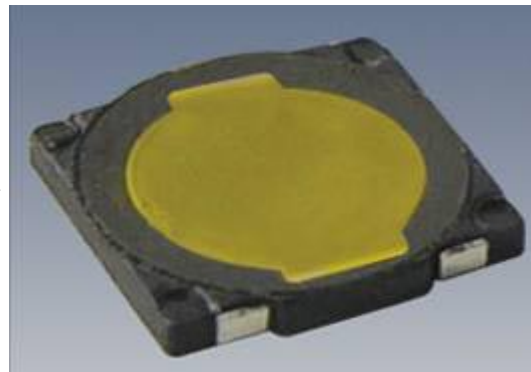
Model SWT4

Tactile Switches 4.6 X 4.6 mm

Low Profile 0.5 mm

RoHS Compliant

New Product



MODELS AVAILABLE

Top Actuation SMD (J PIN)

SWT4 - J

ELECTRICAL

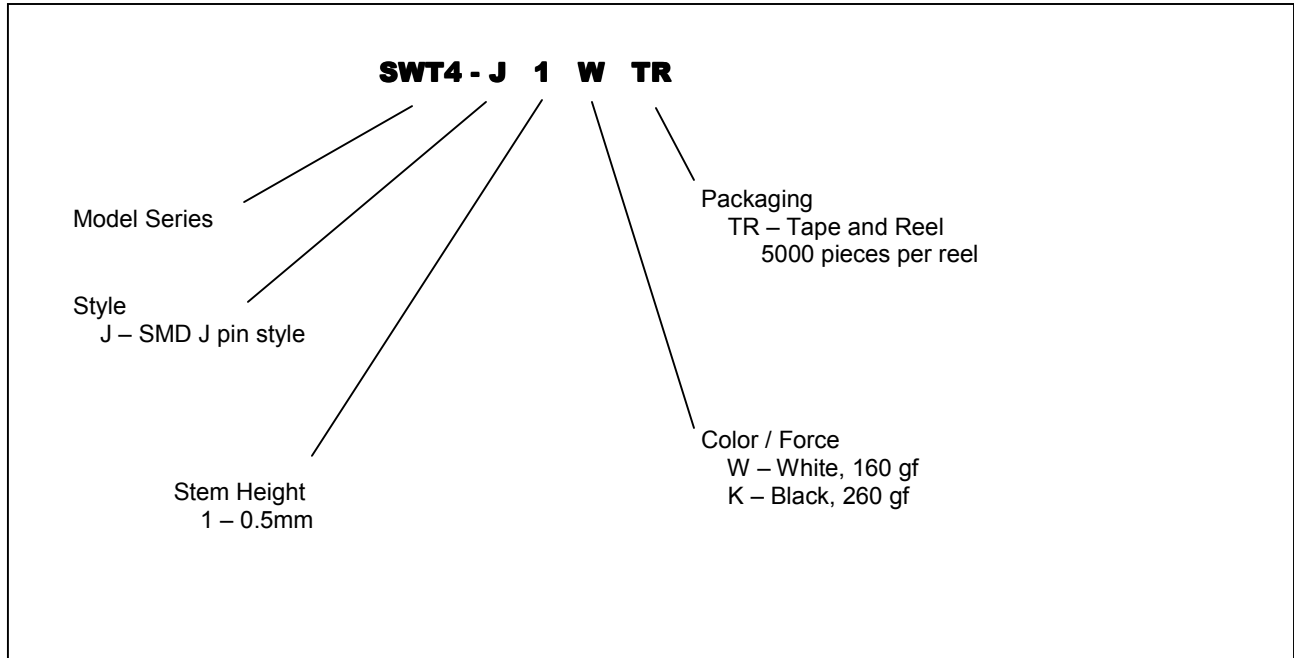
Contact Resistance	100 mΩ max
Insulation Resistance	100 M Ω min. at 100VDC
Dielectric Strength	AC 250VAC / Minute
Rating	DC 12V, 50 mA

ENVIRONMENTAL

Life Mechanical (range)	500K Cycles - 160 gf 50K Cycles - 260 gf
Operating Force Range (refer to operating force table)	260 gf
Operating Temperature Range	-20°C – 70°C
Storage Temperature Range	-30°C – 80°C
Stop Strength	Vertical Static Load of 3Kgf continuously for 15 sec
Vibration	Mil-STD-202F, Method 201A
Shock	Mil-STD-202F, Method 213B Condition A
Soldering	Profile available upon request

Model SWT4

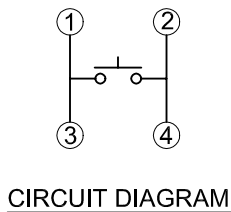
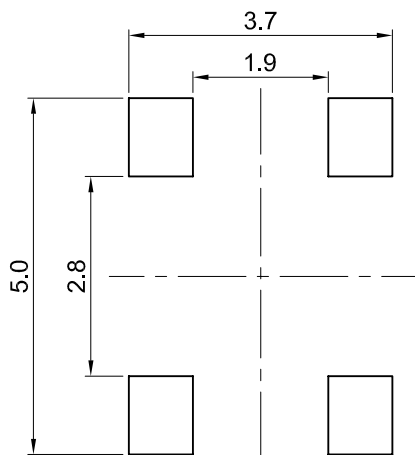
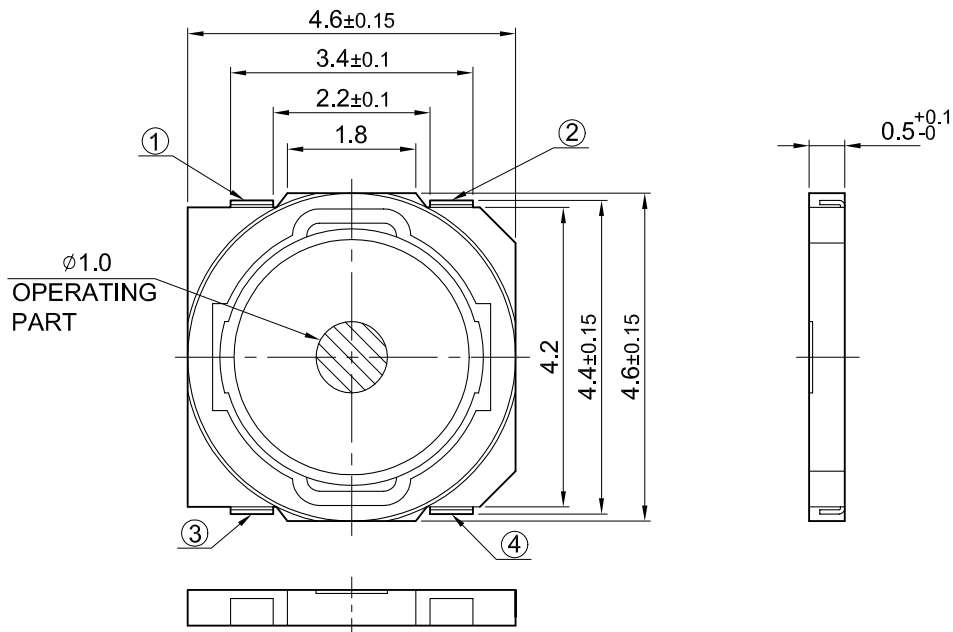
ORDERING INFORMATION



Model SWT4

OUTLINE DRAWINGS

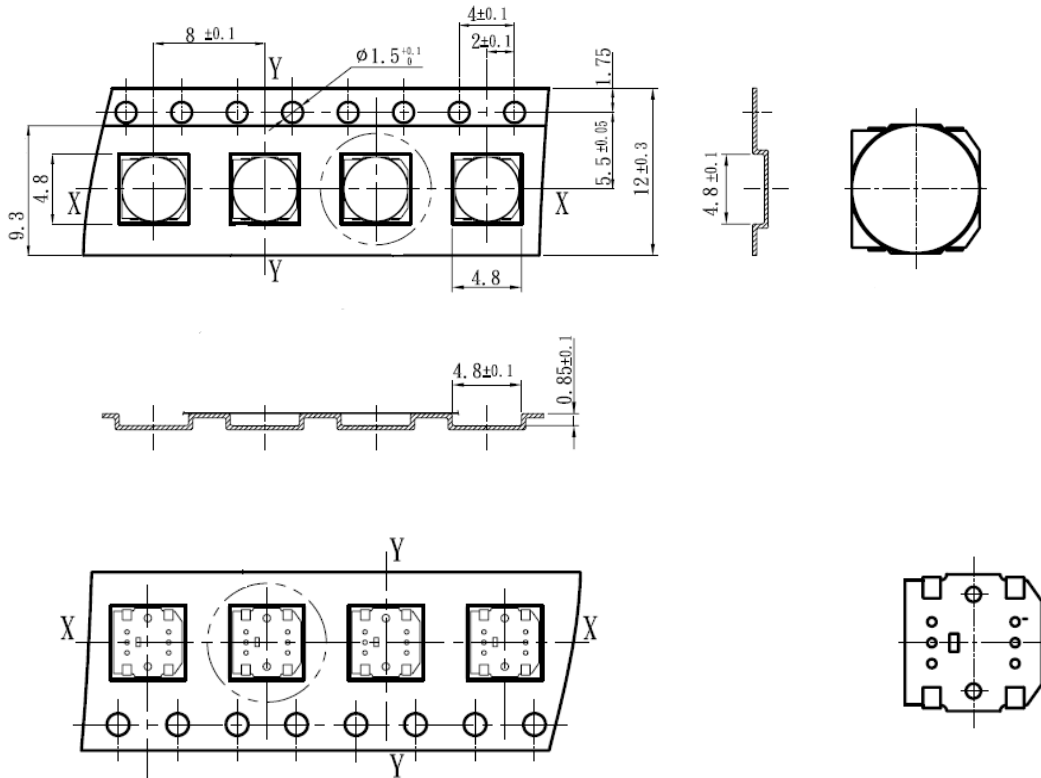
SWT4-J



PRINTED CIRCUIT BOARD LAND DIMENSIONS
(WHEN VIEWED FROM SWITCH MOUNTING SURFACE)

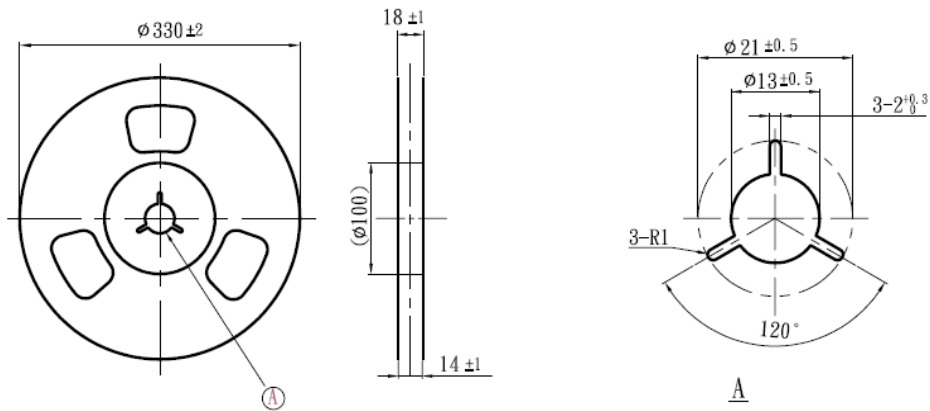
Model SWT4

PACKAGING



Carrier Tape form and Dimensions

Pulling-out direction of the tape



Reel form and Dimensions