

AE2 EV Fuse



FEATURES:

- 500 Vdc automotive fuse
- Rated Current: 10-50 A
- Max. BC: 20 kA@500 Vdc
Min. BC: 2In@500 Vdc
- Time Constant: 2 ± 0.5 ms
- Dimensions: 10x38 mm
- General purpose fuse for EV/HEV auxiliary protection
- Recommended fuse holder: BH114

AGENCY INFORMATION:

- Ref. To UL 248-20, ISO 8820-8, GB/T 31465.6
- Approval: TÜV and UL
- Manufactured under IATF 16949 quality system
- RoHS and REACH Compliant

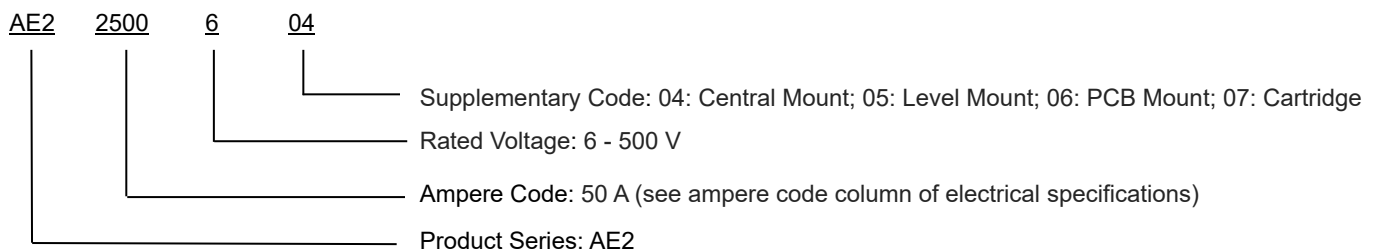
ELECTRICAL SPECIFICATIONS

Part Number / Configurations				Rated Current	Ampere Code	Rated Voltage	Breaking Capacity	I ² t (A ² s)		Dissipation (1.0In W)	Certifications	
Cartridge	Central Mount	Level Mount	PCB Mount					Pre-Arcing	Total		TÜV	UL
AE22100607	AE22100604	AE22100605	AE22100606	10 A	2100	500 Vdc	20 kA@500 Vdc	160	255	3	○	●
AE22150607	AE22150604	AE22150605	AE22150606	15 A	2150			370	620	2.5	●	●
AE22200607	AE22200604	AE22200605	AE22200606	20 A	2200			820	1360	3.5	●	●
AE22250607	AE22250604	AE22250605	AE22250606	25 A	2250			1060	1505	3.5	●	●
AE22300607	AE22300604	AE22300605	AE22300606	30 A	2300			1270	2190	4.7	●	●
AE22350607	AE22350604	AE22350605	AE22350606	35 A	2350			1745	2936	4.8	●	●
AE22400607	AE22400604	AE22400605	AE22400606	40 A	2400			1980	3688	5.5	●	●
AE22450607	AE22450604	AE22450605	AE22450606	45 A	2450			2200	5219	5.8	●	●
AE22500607	AE22500604	AE22500605	AE22500606	50 A	2500			3010	6750	6.8	●	●

TIME VS CURRENT CHARACTERISTIC

Rated Current	110%	135%	150%	200%	300%	500%
10-50 A	>4 h	150 s - 1h	10-1000 s	0.5-100 s	0.1-15 s	0.05-1 s

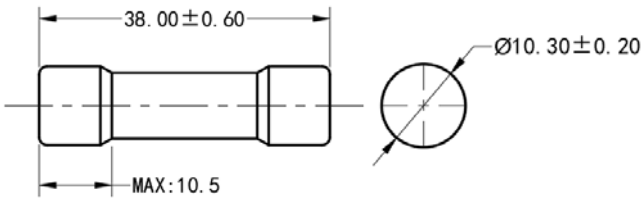
PART NUMBERING SYSTEM



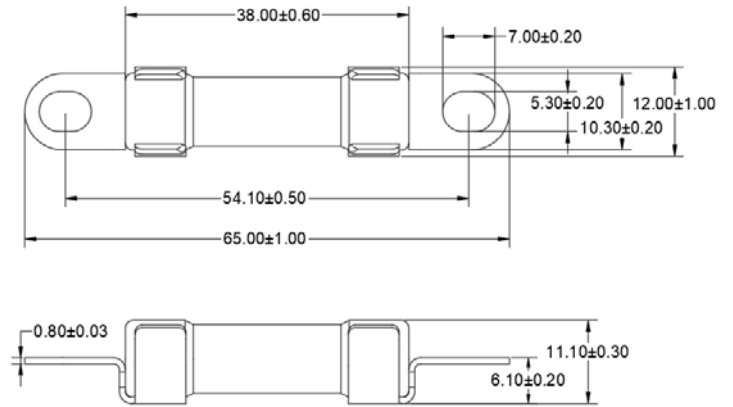


DIMENSIONS (mm)

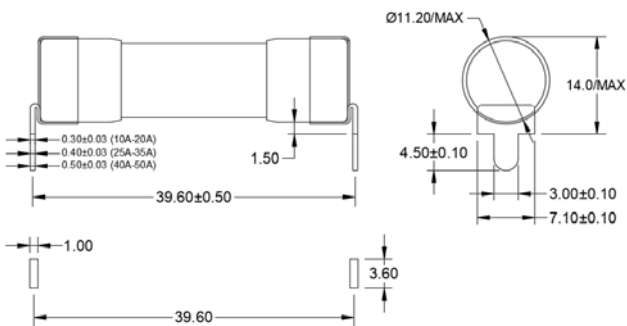
AE2xxxx607



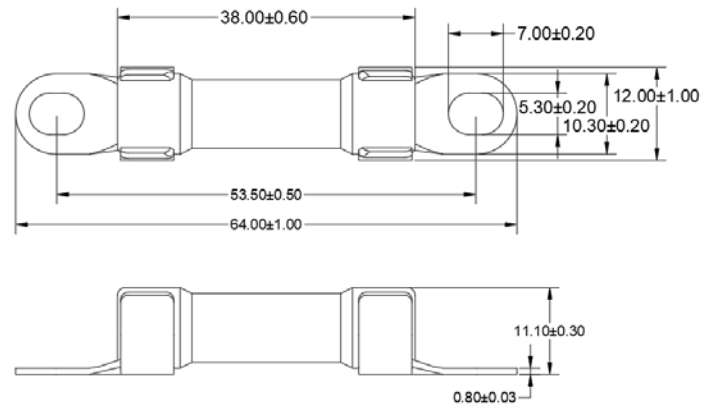
AE2xxxx604



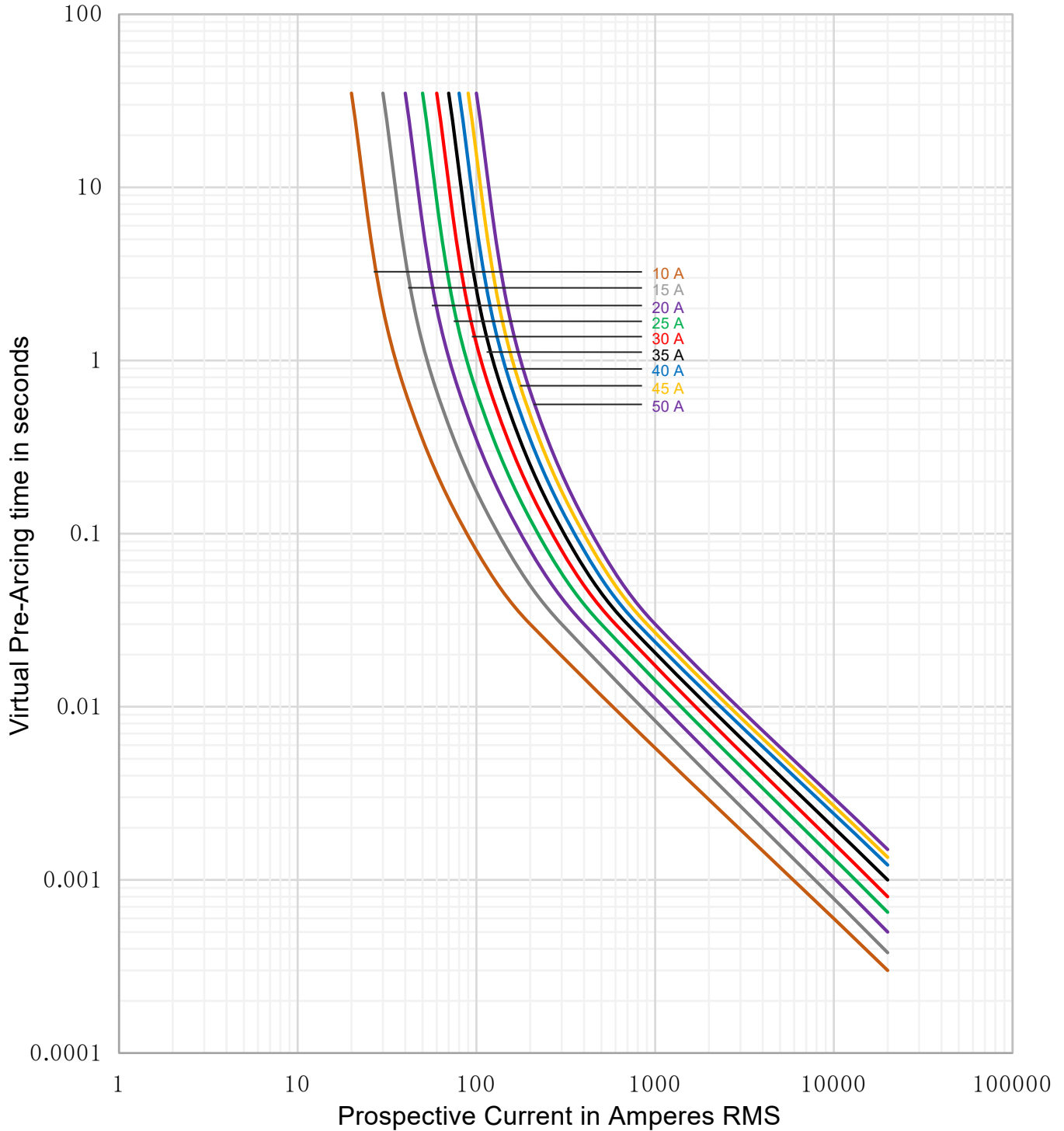
AE2xxxx606



AE2xxxx605



TIME CURRENT CURVE



WEB RESOURCES

Download the latest technical documents: www.adlerelectric.com. Specifications are subject to change without notice.