

Specifications: CRM

Features:

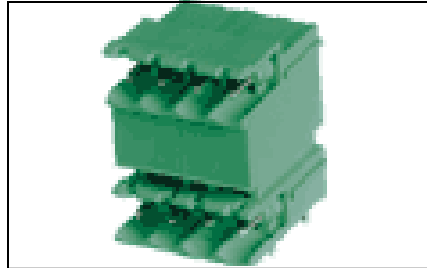
- CRM headers for use with CIF and CVF plugs
- Dual tier allows more contacts in smaller PCB space
- Offset pins
- 2 and 3 positions modular
- 4 Styles available
- Key coding capable
- Housing is resistant to chlorinated solvents, with no dioxin or detrimental to health halogens.
- Every position of this product is mechanically and electrically tested during assembly to ensure a 100% defect free product.
- Minimum 5 microns of tin plating on terminal for easy soldering

Electrical:

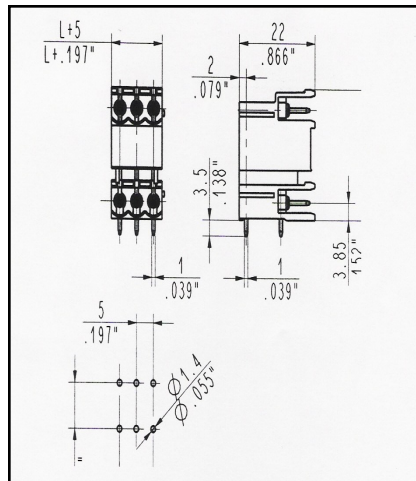
Current:	15A @ 300V
Pin dimension:	1mm x 1mm
CR:	<15mΩ
IR:	>10Ω (500V DC)
Operating temp:	-40°C - +110°C
PCB holes:	min 1.4mm
PCB thickness:	max 2.4mm
Insertion force:	max 3 N
Disconnecting force:	min 1.5 N

Materials:

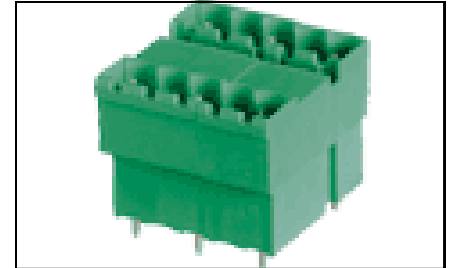
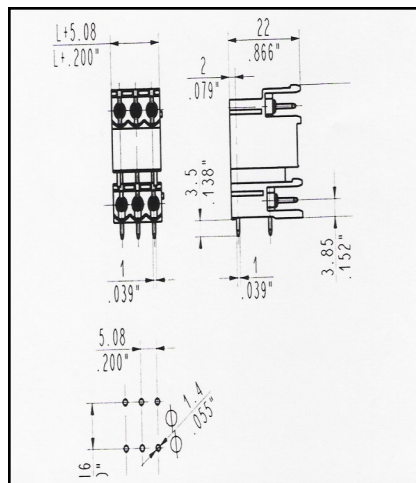
Housing:	Polyamide 66 (UL94V-0)
Terminal pin:	Bronze, Tin plating
Colors Available:	Green, Black



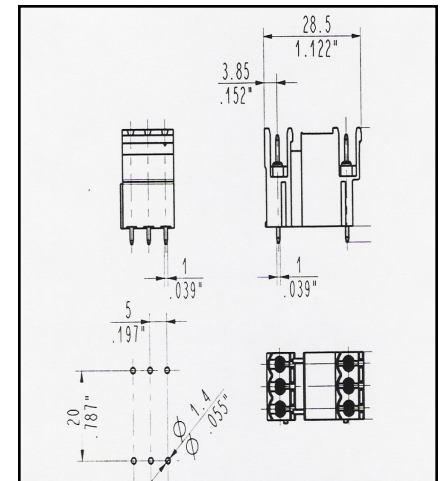
CRMxx9M1



CRMxx9M5



CRMxx0M1



CRMxx0M5

