

17.5A 300V

5 and 5.08mm

17.5A 300V

5 and 5.08mm

Specifications: PSM(PEM) Series**Features:**

- *PSM is **green** color with clamp in the *open* position
- *PEM is **black** with clamp in the *closed* position
- *Double captive screws
- *Elevator clamp style
- *Testing holes/points
- *2 and 3 positions single mold
- *Up to 30 positions modular
- *Housing is resistant to chlorinated solvents, with no dioxin or detrimental to health halogens.
- *Positions are contacts *per row*, not *total* contacts
- *All PSM/PEM and MSM/MSE blocks can be interlocked to form custom configurations
- *Every position of this product is mechanically and electrically tested during assembly to ensure a 100% defect free product.
- *Minimum 5 microns of tin plating on terminal for easy soldering.

Electrical

Current:	17.5A @ 300V
Wire range:	17 to 30 AWG
Wire section(mm ²):	0.05 to 2.5mm ²
Pin dimension:	1mm x 0.8mm
CR:	<15mΩ
IR:	>10 ⁹ Ω (500V DC)
Operating temp:	-40°C to +110°C
Stripping length:	5.5mm
Torque:	0.5 Nm
PCB holes:	min 1.4mm
PCB thickness:	max 2.8mm
Climactic category:	40/110/21 Acc. to IEC 68-1

Materials

Housing:	Polyamide 6,6 (UL94V-0)
Clamp:	Copper alloy, Ni plated
Terminal:	Copper alloy, Tin plated
Screw:	M3, copper alloy, Ni plated
Colors available:	Green, black

Marking

Adhesive marking strips 5 and 5.08mm centers.

Numbered	Order Number
1-10	ESA14000110
11-20	ESA14001120
21-30	ESA14002130
31-40	ESA14003140
41-50	ESA14004150

Ink marking by factory (specify in order number):

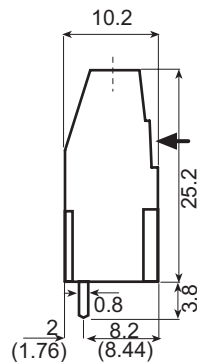
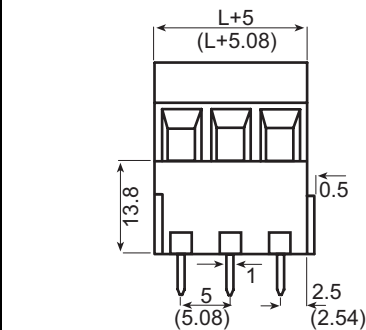
Factory ink is permanent and will not rub off. Ink has fluorescent tint for greater visibility.

0=no printing

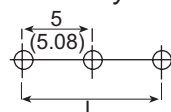
A=upside down printing (consecutive #'s R to L)

B=regular printing (consecutive #'s L to R)

Custom markings are welcome with minimum order. Contact factory for information.



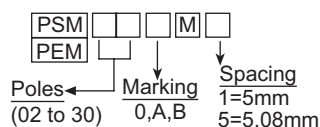
PCB Layout

**Dimensions**

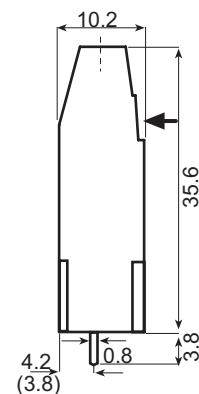
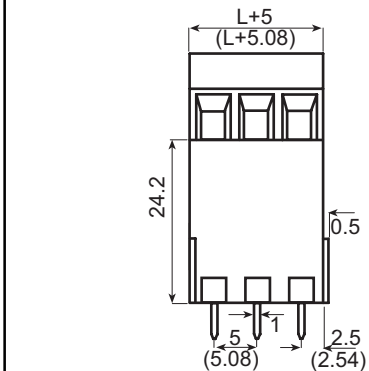
n=number of poles

L=(n-1) x 5 (for 5mm spacing)

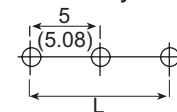
L=(n-1) x 5.08 (for 5.08mm spacing)

Ordering Information

Also available in 10mm and 10.16mm centers.



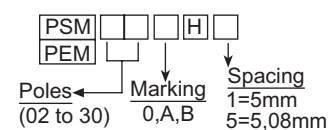
PCB Layout

**Dimensions**

n=number of poles

L=(n-1) x 5 (for 5mm spacing)

L=(n-1) x 5.08 (for 5.08mm spacing)

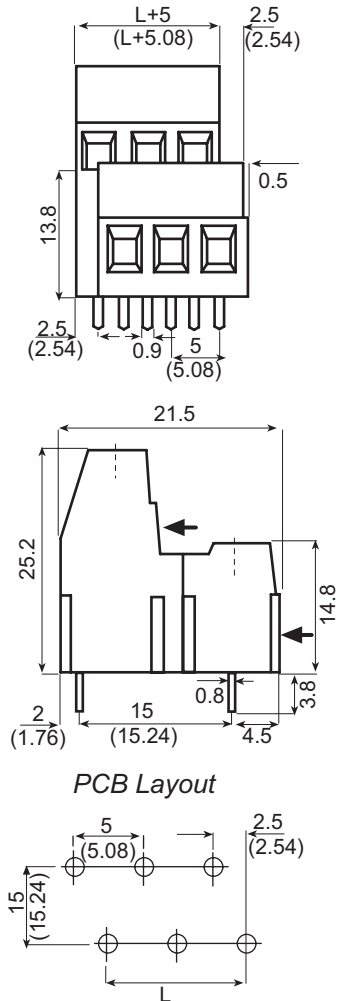
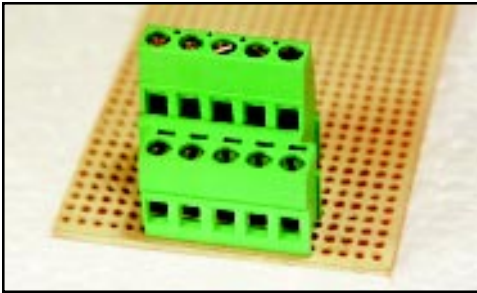
Ordering Information

Also available in 10mm and 10.16mm centers.

PSM (PEM) D Series

17.5A 300V

5 and 5.08mm



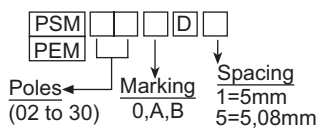
Dimensions

n=number of poles

$L=(n-1) \times 5$ (for 5mm spacing)

$L=(n-1) \times 5.08$ (for 5.08mm spacing)

Ordering Information

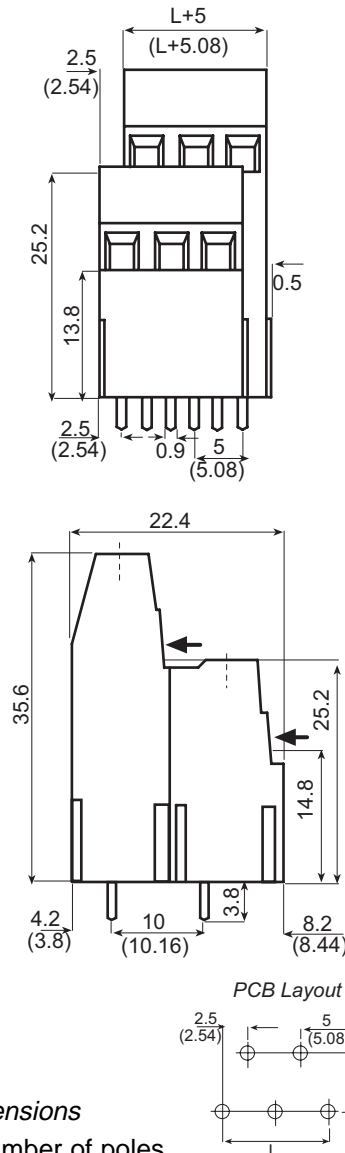
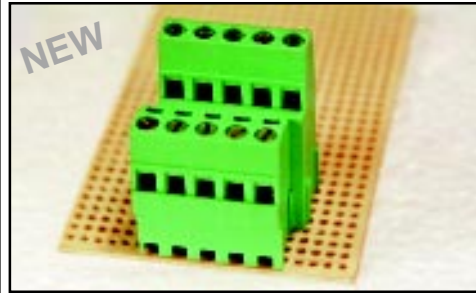


Also available in 10mm and 10.16mm centers.

PSM (PEM) K Series

17.5A 300V

5 and 5.08mm



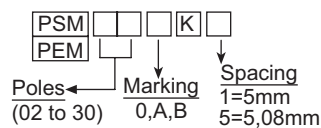
Dimensions

n=number of poles

$L=(n-1) \times 5$ (for 5mm spacing)

$L=(n-1) \times 5.08$ (for 5.08mm spacing)

Ordering Information

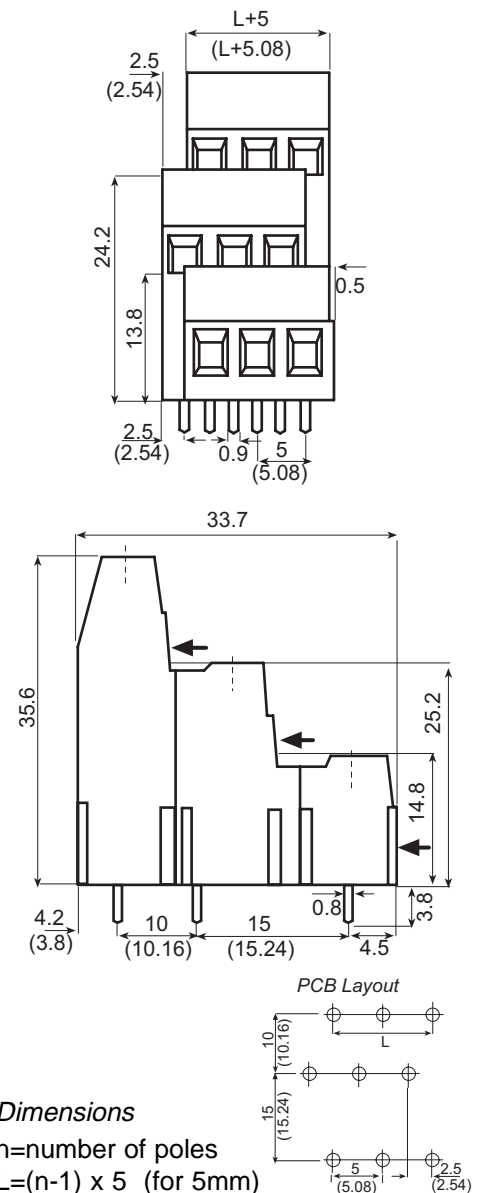
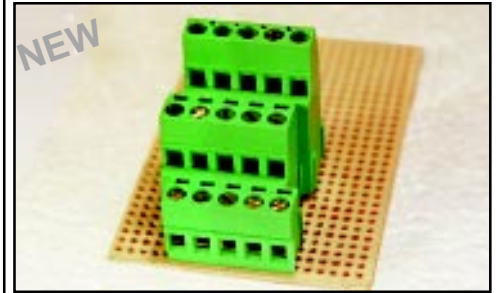


Also available in 10mm and 10.16mm centers.

PSM (PEM) T Series

17.5A 300V

5 and 5.08mm



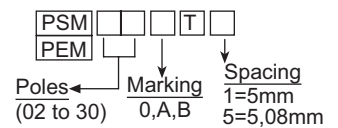
Dimensions

n=number of poles

$L=(n-1) \times 5$ (for 5mm)

$L=(n-1) \times 5.08$ (for 5.08mm spacing)

Ordering Information



Also available in 10mm and 10.16mm centers.