

## CHT-LDNS-Datasheet

Version: 1.4  
20-Mar-12  
(Last Modification Date)

### High-Temperature, Negative 2.5V; 3.3V; 5V; 5.5V; 9V; 10V; 12V; 13V or 15V, Low-Dropout CMOS Voltage Regulator For symmetrical voltage applications.

#### General Description

The CHT-LDNS is a 1A, low-dropout negative linear voltage regulator compatible with high-temperature environments. Typical operation temperature range extends from -55°C to 225°C.

The circuit is stable throughout the whole temperature range and under a large choice of capacitive loads.

The minimum dropout voltage ( $V_{in}-V_{out}$ ) is -2V for load current up to 1A. The dropout voltage can span from -2 Volts down to -20 Volts<sup>(1)</sup>.

#### Related documents:

- **AN-06016:** "Selecting correct CISSOID regulator depending on your application"
- **AN-06002:** "Voltage regulator short-circuit protection and associated potential startup problem".
- **AN-090477:** "Power Dissipation Considerations During Short Circuit Conditions"

#### Applications

Power supplies for high-temperature electronic systems used in Well logging, Automotive, Aeronautics or Aerospace applications.

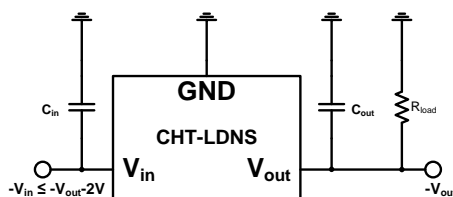
#### Features

- -2V to -20V<sup>(1)</sup> dropout Voltage
- Max 1A output current @ 225°C
- 60dB input ripple rejection (0-200Hz)
- $C_{load}$  from 100nF to 1000 $\mu$ F, large ESR range
- Available in TO-254 or in custom package on demand. (3-pin compatible)
- The start-up is operative over the whole temperature range
- Latch-up free
- Validated at 225°C for 30000 hours (and still on-going)

#### Available voltages:

- CHT-LDNS-025: -2.5V
- CHT-LDNS-033: -3.3V
- CHT-LDNS-050: -5.0V
- CHT-LDNS-055: -5.5V
- CHT-LDNS-090: -9.0V
- CHT-LDNS-100: -10.0V
- CHT-LDNS-120: -12.0V
- CHT-LDNS-130: -13.0V
- CHT-LDNS-150: -15.0V

#### Typical application



## Absolute Maximum Ratings

Supply Voltage $V_{in}$	0.3...-40V
Junction Temperature <sup>(2)</sup> ( $T_j$ )	315°C
Power dissipation <sup>(3)</sup>	

## Operating Conditions

Supply Voltage	-2 to -20V dropout <sup>(1)</sup>
Junction temperature	-55°C to 225°C
Power Dissipation <sup>(3)</sup>	

## ESD Rating (expected)

Human Body Model	>1kV
------------------	------

**CAUTION:** Stresses above those listed in "Absolute Maximum Ratings" may cause permanent damage to the device. This is a stress only rating and operation of the device at these or any other conditions above those indicated in the operational sections of this specification is not implied. Frequent or extended exposure to absolute maximum rating conditions or above may affect device reliability.

## Electrical Characteristics

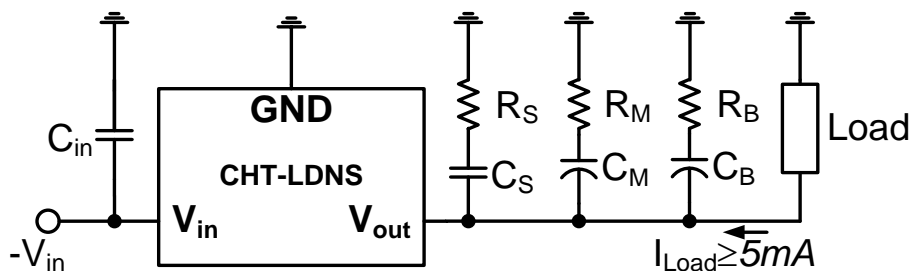
The following table is relative to the -15V mode (CHT-LDNS-150) with  $V_{in}=-17V$  (-Vout-2V). For other nominal voltage, see notes under this table.

Parameter	Condition	Min	Typ	Max	Units	note
Output voltage accuracy	$I_L=10mA$ $-55^\circ C < T_j < 225^\circ C$	-2	0	3	%	
Output voltage $T^\circ$ drift	$I_L=10mA$ $-55^\circ C < T_j < 225^\circ C$	0	40	80	ppm	(4)
Output voltage line regulation	$ V_{in} = V_{out} +2V$ to $ V_{out}  + 15V$ $I_L=60mA$ , $-55^\circ C < T_j < 225^\circ C$	-3		3	mV/V	(5)
Output voltage load regulation (i.e. $R_{out}$ )	$I_L=10mA$ to 1A $ V_{in} = V_{out} +2V$ $-55^\circ C < T_j < 225^\circ C$		0.05	0.1	V/A	(6)
$ V_{in} - V_{out} $ (dropout)	$I_L=1A$ , $-55^\circ C < T_j < 225^\circ C$	2			V	
Quiescent Ground Pin current	$0 < I_L < 1A$ $-55^\circ C$ $225^\circ C$		3.1 3.5		mA	(7)
Power supply rejection ratio	$f=0Hz \dots 200Hz$ $I_{load}=100mA$	tbd			dB	(8)
Foldback current			2.7	3	A	
Short-circuit current	$-55^\circ C < T_j < 225^\circ C$		500	1000	mA	
Output noise	10Hz-1kHz $I_L=100mA$ , $25^\circ C$		tbd		$\mu V_{RMS}$	(9)

### Notes:

- (1)  $|V_{in}| \max=30V$
- (2) Above 225°C ( $T_j$ ), a minimum load current of 10 mA could be required.
- (3) Max Power dissipation depends on packaging. CHT-LDN in TO-3 or TO-254 packages presents a "junction-to-case" thermal resistance of maximum 5°C/W ( $R_{th}$ ).
- (4) ppm are defined as  $[d(V_{out})/d(T)]/V_{out}$ . For -15V mode, 40ppm correspond to -600 $\mu V/^\circ C$ .
- (5) Defining "x" as the nominal voltage, the line regulation is better than x/5 mV/V for  $|V_{in}|>14V$  and better than x mV/V for  $|V_{in}|\leq 14V$ .
- (6) This includes the packaging parasitic resistor.
- (7) Defining "x" as the nominal voltage, the typical quiescent current at 2V dropout can be approximated as 2.575+ x\*0.035 (mA) @ -55°C and 2.645+ x\*0.057 (mA) @ 225°C.
- (8) Defining "x" as the nominal voltage, the minimum power supply rejection ratio is ...(tbd)...
- (9) Defining "x" as the nominal voltage, typical noise level is ...(tbd)...
- (10) Short circuit current for 2.5V typical value is 1A and max value is 1.3A

### Input Capacitor and Output Load Recommended Specifications



A minimum load current of 5mA is required. Below this value, a small oscillation of few tens of mV can occur at the regulator output.

Resistances in series with capacitors represent the internal ESR of these capacitors.

For large capacitors:

$$C_B = 0 \text{ to } 1000\mu\text{F}$$

$$R_B = 0.2 \text{ to } \infty \Omega$$

For medium capacitors:

$$C_M = 0 \text{ to } 6\mu\text{F}$$

$$R_M = 0.1 \text{ to } 1 \Omega$$

For small capacitors:

$$C_S = 100\text{n} \text{ to } 220\text{nF}$$

$$R_S = 10\text{m} \text{ to } 50\text{m} \Omega$$

## Operating Conditions

### Start-up conditions

The start-up is operative over the whole temperature range as long as all loads are connected to ground. The start-up is not guaranteed if the positive regulator output has a current path directly connected to a negative voltage. Indeed, such load condition can lead to wrong activation of the short-circuit protection, i.e. a bad start-up or a bad recovering after short-circuit. In this case, it is recommended to use our CHT-LDOS regulator family instead of CHT-LDOP regulator family.

Please refer to our application notes for more details:

- **AN-06016:** *“Selecting correct CISSOID regulator depending on your application”*
- **AN-06002:** *“Voltage regulator short-circuit protection and associated potential startup problem”*.

### Fast load current transients

Output voltage overshoots and undershoots are ~10% of the nominal regulated voltage when  $C_{Load} > 22\mu F$  ( $ESR < 1\Omega$ ) and load current transients (10mA↔1A) within 1μs. For transients longer than 10μs, load capacitance of 1μF is enough.

### Power dissipation considerations

When determining the maximum power dissipated by the regulator, not only the dissipation during normal operation must be considered, but also the power dissipated during any eventual short circuit or overload.

During short circuit or overload, worst case conditions are normally found for maximum  $V_{in}$  and a shorting resistance in the order of few Ohms.

Entering into short-circuit or overload conditions with high input voltages  $V_{in}$  may lead to extreme overheating, placing the part above Absolute Maximum Rating conditions.

Please refer to our application note for more detail:

- **AN-090477:** *“Power Dissipation Considerations During Short Circuit Conditions”*

### Shorting the regulator input

If the input terminal is shorted to ground once the output capacitance has been charged, a large current corresponding to the discharge of the output capacitor will flow from the output to the input through the drain-body diode of the internal pass transistor. This large current may cause the permanent damage of the part.

### Sinking current or raising the output voltage above the input voltage can cause permanent damage to the part.

#### Regulator floating ground

When the ground becomes disconnected, the output voltage gets unregulated, causing possible damage to other circuits connected to  $V_{out}$ . If the ground terminal is reconnected while  $V_{in}$  is applied, permanent damage may also occur to the regulator. If a regulator needs to be reconnected with the power supply on, then connect the ground terminal first.

## Typical Performance Characteristics (CHT-LDNS-150)

Note : Temperatures hereafter are ambient temperatures

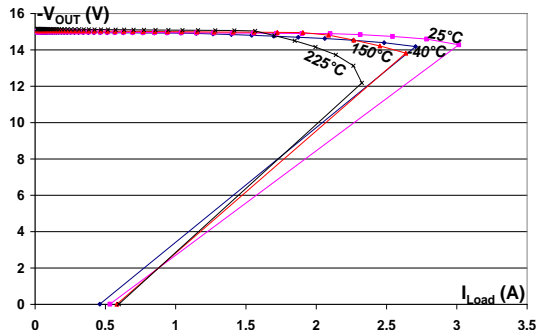


Figure 1:  $-V_{out}$  vs.  $I_{Load}$  (@2V dropout)

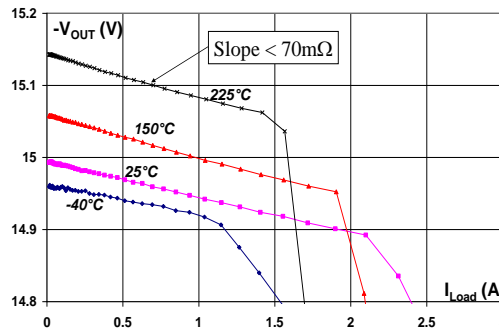


Figure 2: Zoom on figure 1

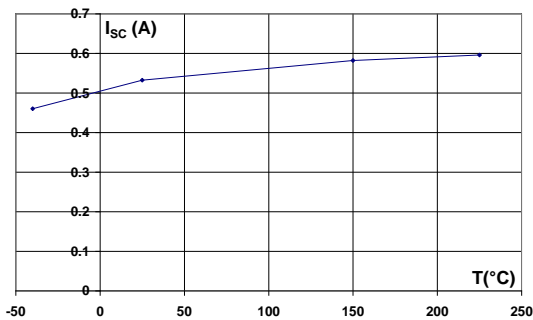


Figure 3: Short-circuit current vs.  $T^\circ$

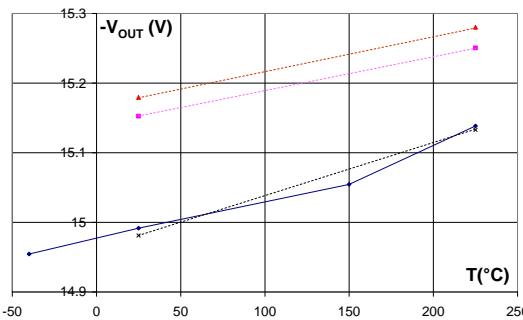


Figure 4:  $-V_{out}$  vs.  $T^\circ$  (dropout=2V ;  $I_{load}=60mA$ , 4 samples)

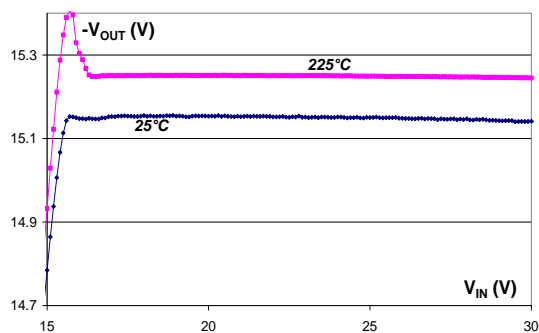


Figure 5:  $-V_{out}$  vs.  $-V_{in}$  over  $T^\circ$  ( $I_{load}=60mA$ )

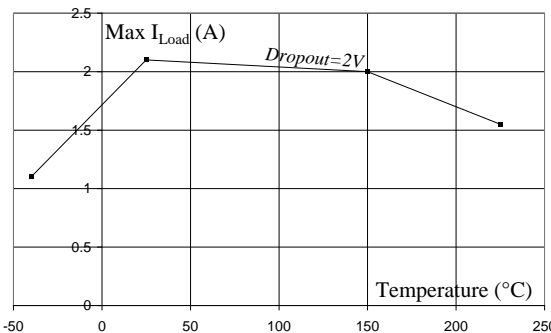


Figure 6: Typical max load current over  $T^\circ$  vs. dropout

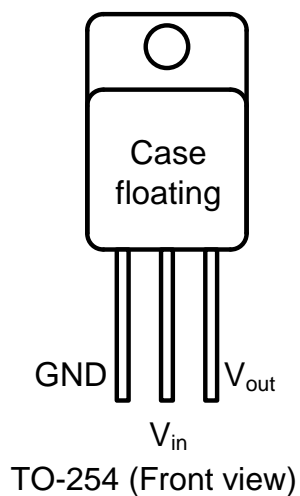
TBD

TBD

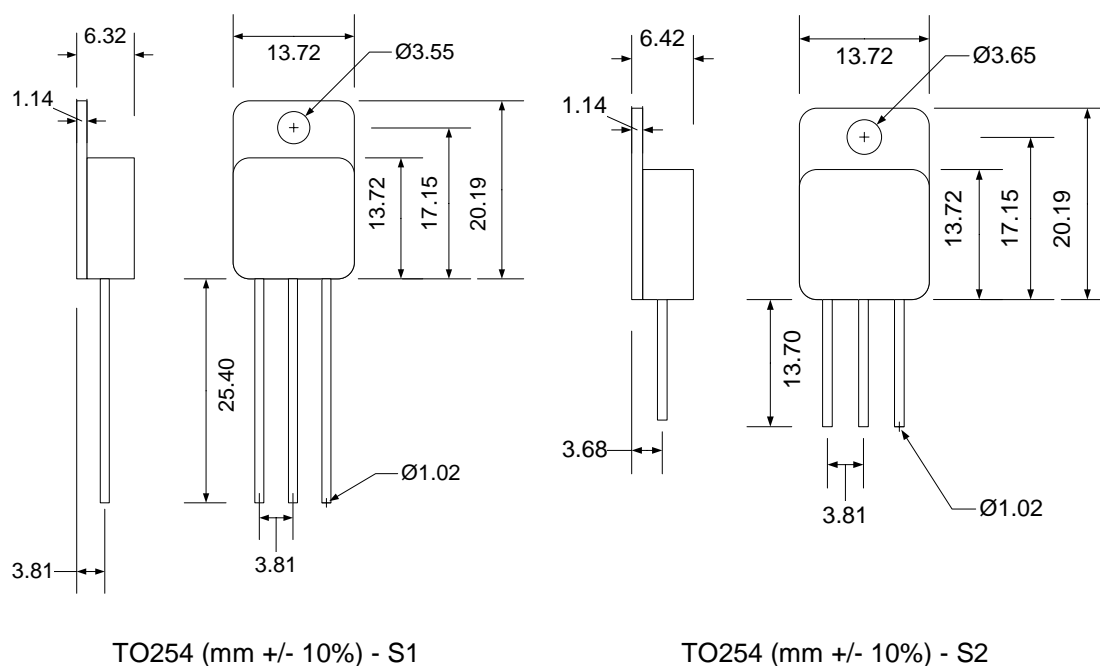
Figure 7:  $S_{Vout}(V^2/Hz)$  @25°C,  $I_{load}=100mA$

Figure 8: Input ripple rejection

## Package and Pinout



## Package Dimensions



## Ordering Information

Ordering Reference	Package	Output Voltage	Temperature Range	Marking
CHT-LDNS-025-TO254-T <sup>1</sup>	Metal TO254	2.5V	-55°C to +225°C	CHT-LDNS-025
CHT-LDNS-025-TO254-T-S1 <sup>2</sup>	Metal TO254	2.5V	-55°C to +225°C	CHT-LDNS-025
CHT-LDNS-025-TO254-T-S2 <sup>3</sup>	Metal TO254	2.5V	-55°C to +225°C	CHT-LDNS-025
CHT-LDNS-033-TO254-T <sup>1</sup>	Metal TO254	3.3V	-55°C to +225°C	CHT-LDNS-033
CHT-LDNS-033-TO254-T-S1 <sup>2</sup>	Metal TO254	3.3V	-55°C to +225°C	CHT-LDNS-033
CHT-LDNS-033-TO254-T-S2 <sup>3</sup>	Metal TO254	3.3V	-55°C to +225°C	CHT-LDNS-033
CHT-LDNS-050-TO254-T <sup>1</sup>	Metal TO254	5V	-55°C to +225°C	CHT-LDNS-050
CHT-LDNS-050-TO254-T-S1 <sup>2</sup>	Metal TO254	5V	-55°C to +225°C	CHT-LDNS-050
CHT-LDNS-050-TO254-T-S2 <sup>3</sup>	Metal TO254	5V	-55°C to +225°C	CHT-LDNS-050
CHT-LDNS-055-TO254-T <sup>1</sup>	Metal TO254	5.5V	-55°C to +225°C	CHT-LDNS-055
CHT-LDNS-055-TO254-T-S1 <sup>2</sup>	Metal TO254	5.5V	-55°C to +225°C	CHT-LDNS-055
CHT-LDNS-055-TO254-T-S2 <sup>3</sup>	Metal TO254	5.5V	-55°C to +225°C	CHT-LDNS-055
CHT-LDNS-090-TO254-T <sup>1</sup>	Metal TO254	9V	-55°C to +225°C	CHT-LDNS-090
CHT-LDNS-090-TO254-T-S1 <sup>2</sup>	Metal TO254	9V	-55°C to +225°C	CHT-LDNS-090
CHT-LDNS-090-TO254-T-S2 <sup>3</sup>	Metal TO254	9V	-55°C to +225°C	CHT-LDNS-090
CHT-LDNS-100-TO254-T <sup>1</sup>	Metal TO254	10V	-55°C to +225°C	CHT-LDNS-100
CHT-LDNS-100-TO254-T-S1 <sup>2</sup>	Metal TO254	10V	-55°C to +225°C	CHT-LDNS-100
CHT-LDNS-100-TO254-T-S2 <sup>3</sup>	Metal TO254	10V	-55°C to +225°C	CHT-LDNS-100
CHT-LDNS-120-TO254-T <sup>1</sup>	Metal TO254	12V	-55°C to +225°C	CHT-LDNS-120
CHT-LDNS-120-TO254-T-S1 <sup>2</sup>	Metal TO254	12V	-55°C to +225°C	CHT-LDNS-120
CHT-LDNS-120-TO254-T-S2 <sup>3</sup>	Metal TO254	12V	-55°C to +225°C	CHT-LDNS-120
CHT-LDNS-130-TO254-T <sup>1</sup>	Metal TO254	13V	-55°C to +225°C	CHT-LDNS-130
CHT-LDNS-130-TO254-T-S1 <sup>2</sup>	Metal TO254	13V	-55°C to +225°C	CHT-LDNS-130
CHT-LDNS-130-TO254-T-S2 <sup>3</sup>	Metal TO254	13V	-55°C to +225°C	CHT-LDNS-130
CHT-LDNS-150-TO254-T <sup>1</sup>	Metal TO254	15V	-55°C to +225°C	CHT-LDNS-150
CHT-LDNS-150-TO254-T-S1 <sup>2</sup>	Metal TO254	15V	-55°C to +225°C	CHT-LDNS-150
CHT-LDNS-150-TO254-T-S2 <sup>3</sup>	Metal TO254	15V	-55°C to +225°C	CHT-LDNS-150

<sup>1</sup> S1 or S2 package type will be shipped

<sup>2</sup> S1 package type will be shipped

<sup>3</sup> S2 package type will be shipped

## Contact & Ordering

### CISSOID S.A.

<b>Headquarters and contact EMEA:</b>	CISSOID S.A. – Rue Francqui, 3 – 1435 Mont Saint Guibert - Belgium T : +32 10 48 92 10 - F: +32 10 88 98 75 Email: <a href="mailto:sales@cissoid.com">sales@cissoid.com</a>
<b>Sales Representatives:</b>	Visit our website: <a href="http://www.cissoid.com">http://www.cissoid.com</a>

### Disclaimer

*Neither CISSOID, nor any of its directors, employees or affiliates make any representations or extend any warranties of any kind, either express or implied, including but not limited to warranties of merchantability, fitness for a particular purpose, and the absence of latent or other defects, whether or not discoverable. In no event shall CISSOID, its directors, employees and affiliates be liable for direct, indirect, special, incidental or consequential damages of any kind arising out of the use of its circuits and their documentation, even if they have been advised of the possibility of such a damage. The circuits are provided "as is". CISSOID has no obligation to provide maintenance, support, updates, or modifications.*