

CDBABS34-HF Thru. CDBABS310-HF

Reverse Voltage: 40 to 100 Volts

Forward Current: 3.0 A

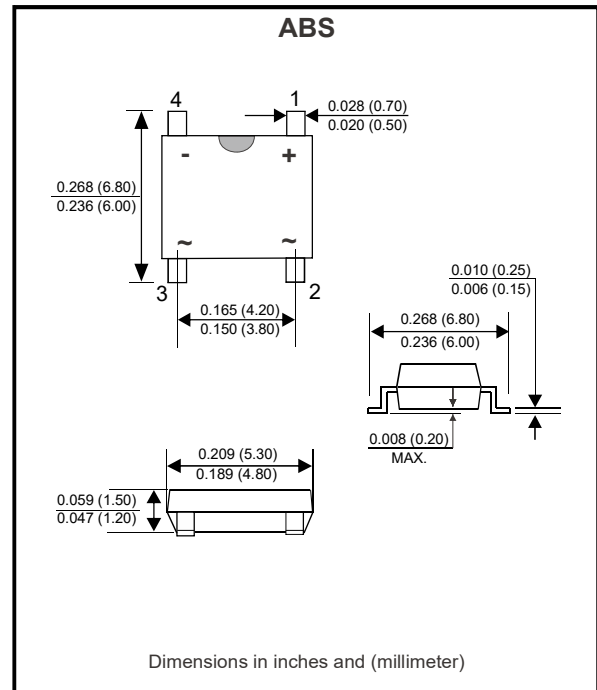
RoHS Device

Features

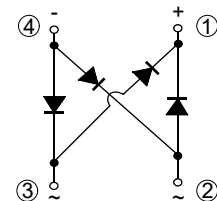
- Schottky Barrier Chip
- Low Power Loss, High Efficiency
- Ideally Suited for Automatic Assembly
- Surge Overload Rating to 80A Peak
- Plastic Case Material has UL Flammability Classification Rating 94V-0

Mechanical data

- Case: SOPA-4, molded plastic ABS
- Terminals: plated leads solderable per MIL-STD-202, Method 208
- Polarity: as marked on case
- Mounting position: Any
- Marking: type number



Circuit Diagram



Maximum Rating And Electrical Characteristics

Rating at $T_A=25^{\circ}\text{C}$, unless otherwise noted.
Single phase, half wave, 60Hz, resistive or inductive load.
For capacitive load, derate current by 20%.

Parameter	Symbol	CDBABS34-HF	CDBABS36-HF	CDBABS38-HF	CDBABS310-HF	Unit
Peak repetitive reverse voltage	V_{RRM}	40	60	80	100	V
Working peak reverse voltage	V_{RWM}	40	60	80	100	
DC blocking voltage	V_{DC}	40	60	80	100	
RMS reverse voltage	V_{RMS}	28	42	56	70	V
Average rectified output current @ $T_C=100^{\circ}\text{C}$	$I_{F(AV)}$	3				A
Non-Repetitive peak forward surge current 8.3ms Single Half Sine-Wave, Super Imposed on Rated Load (JEDEC Method)	I_{FSM}	80				A
Rating for fusing ($t < 8.3\text{ms}$)	I^2t	3.74				A^2s
Forward voltage per element @ $I_F=3.0\text{A}$	V_{FM}	0.5	0.7	0.85		V
Peak reverse current at rated DC blocking voltage	@ $T_J=25^{\circ}\text{C}$	0.1		0.05		mA
	@ $T_J=100^{\circ}\text{C}$	10		5		
Typical thermal resistance per leg	$R_{\theta JA}$	50				$^{\circ}\text{C}/\text{W}$
	$R_{\theta JL}$	10				
Operating junction temperature range	T_J	-55 to +150				$^{\circ}\text{C}$
Storage temperature range	T_{STG}	-55 to +150				$^{\circ}\text{C}$

RATING AND CHARACTERISTIC CURVES (CDBABS34-HF Thru. CDBABS310-HF)

Fig. 1 Output Current Derating Curve

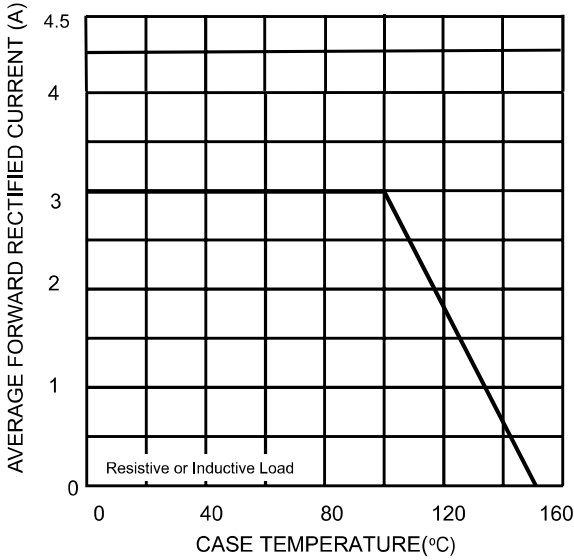


Fig. 2 Typical Forward Characteristics (per leg)

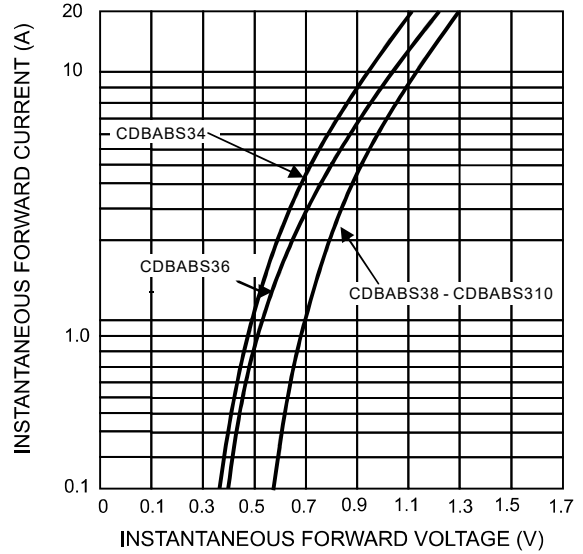


Fig. 3 Maximum Peak Forward Surge Current (per leg)

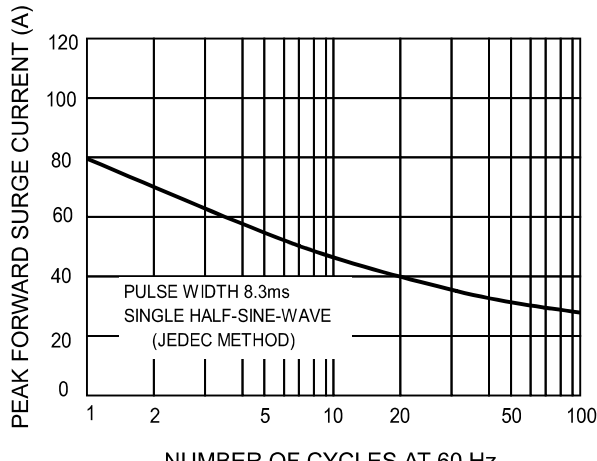


FIG. 4-TYPICAL REVERSE CHARACTERISTICS

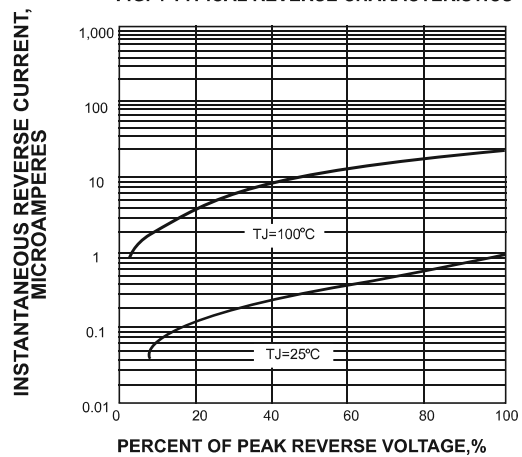
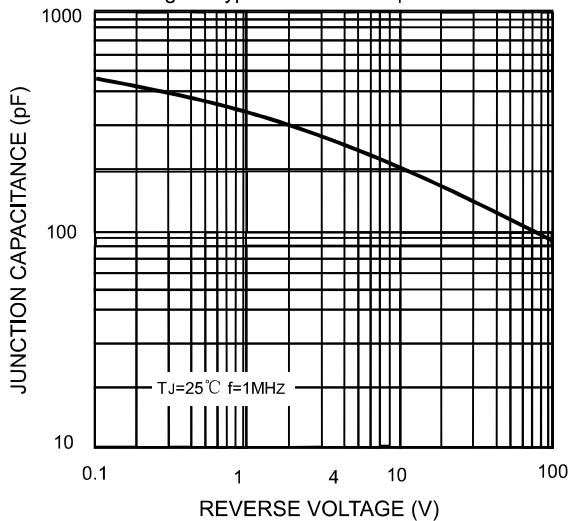
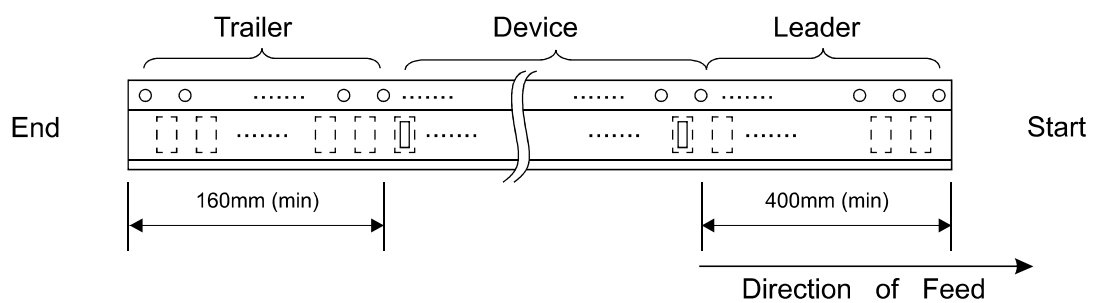
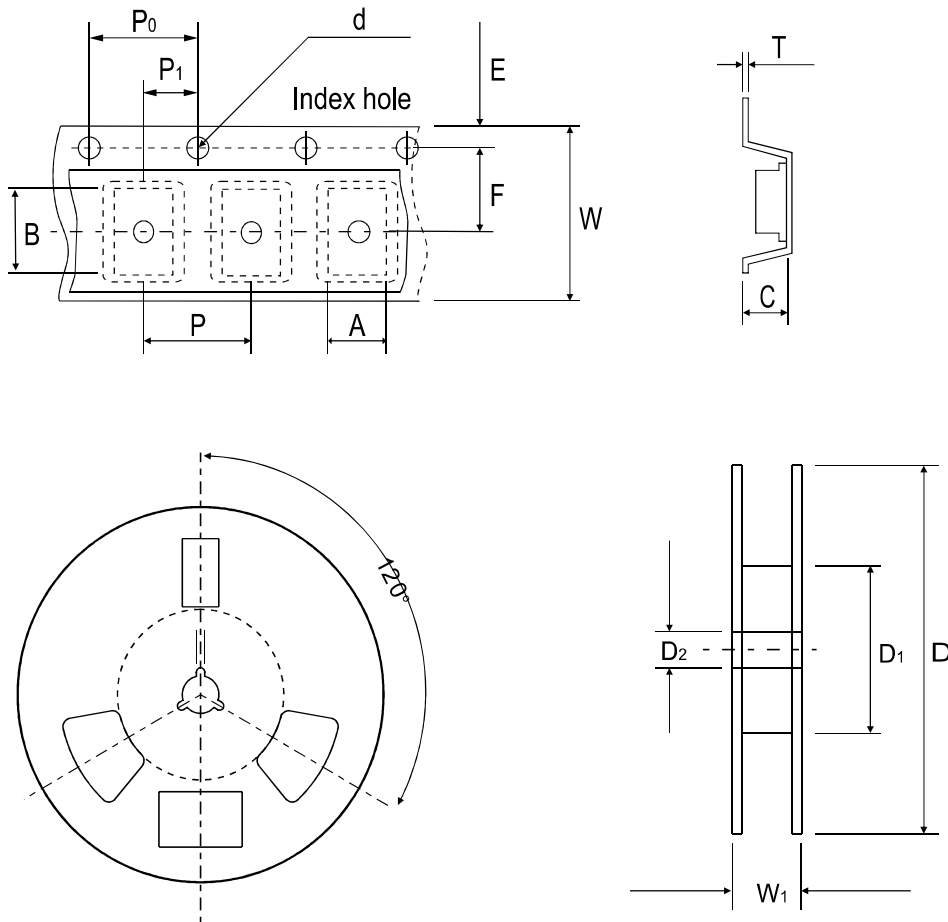


Fig. 5 Typical Junction Capacitance



Reel Taping Specification



ABS	SYMBOL	A	B	C	d	D	D1	D2
	(mm)	5.31 ± 0.10	6.68 ± 0.10	1.59 ± 0.20	1.55 ± 0.05	330	50.00 (min)	13.00 ± 0.20
	(inch)	0.209 ± 0.004	0.263 ± 0.004	0.063 ± 0.008	0.061 ± 0.002	13.000	1.969 (min)	0.512 ± 0.008

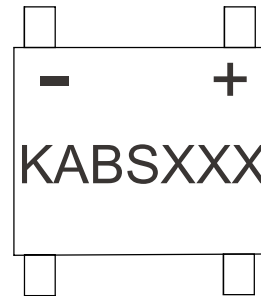
ABS	SYMBOL	E	F	P	P0	P1	T	W	W1
	(mm)	1.75 ± 0.10	5.50 ± 0.05	8.00 ± 0.10	4.00 ± 0.10	2.00 ± 0.05	0.30	12.00 ± 0.30	12.00~14.40
	(inch)	0.069 ± 0.004	0.217 ± 0.002	0.315 ± 0.004	0.157 ± 0.004	0.079 ± 0.002	0.012	0.472 ± 0.012	0.472~0.657

Company reserves the right to improve product design, functions and reliability without notice.

REV:A

Marking Code

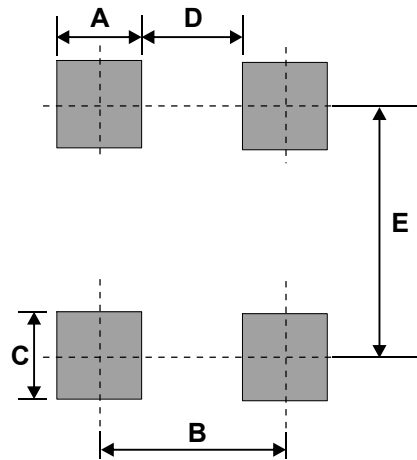
Part Number	Marking code
CDBABS34-HF	KABS34H
CDBABS36-HF	KABS36H
CDBABS38-HF	KABS38H
CDBABS310-HF	KABS310H



XXX = Product type marking code

Suggested PAD Layout

SIZE	ABS	
	(mm)	(inch)
A	0.90	0.035
B	4.10	0.161
C	1.50	0.059
D	3.20	0.126
E	5.72	0.225



Standard Packaging

Case Type	REEL PACK	
	REEL (pcs)	Reel Size (inch)
ABS	5,000	13