

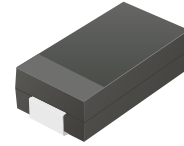
CEFC403-HF

Reverse Voltage: 200 Volts

Forward Current: 4.0 Amp

RoHS Device

Halogen free

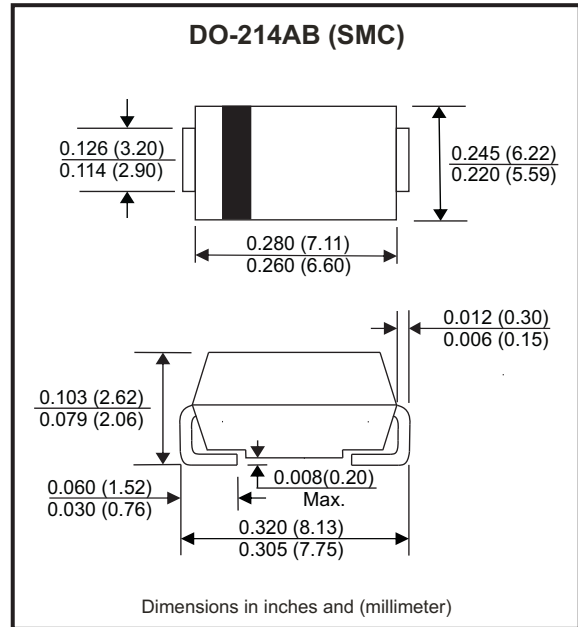


Features

- Glass Passivation Junction.
- Low profile package.
- Ideal for automated placement.
- Low reverse current.
- Fast reverse recovery time.

Mechanical data

- Case: DO-214AB / SMC, molded plastic.
- Epoxy: UL flammability classification rate 94V-0 .
- Terminals: Lead free plating (Tin finish).
Solderable per MIL-STD-202, Method 208.
- Polarity: Indicated by cathode band.
- Weight: 0.231 grams(approx.).



Circuit diagram



Maximum Ratings (at TA=25°C unless otherwise noted)

Parameter	Symbol	CEFC403-HF	Units
Max. repetitive peak reverse voltage	V_{RRM}	200	V
Max. DC blocking voltage	V_{DC}	200	V
Max. RMS voltage	V_{RMS}	140	V
Max. average forward rectified current	I_F	4.0	A
Peak forward surge current, 8.3ms single half sine-wave superimposed on rated load (JEDEC method)	I_{FSM}	150	A
Max. instantaneous forward voltage @ 25°C	$I_F = 3A$	V_F	0.88
	$I_F = 4A$	V_F	0.90
Max. DC reverse current at rated DC blocking voltage	$T_A = 25^\circ C$	I_R	5
	$T_A = 100^\circ C$	I_R	50
Max. reverse recovery time (Note 1)	T_{rr}	25	nS
Typical junction capacitance (Note 2)	C_J	70	pF
Typical thermal resistance	$R_{\theta JC}$	20	°C/W
Operating temperature range	T_J	-55 to +150	°C
Storage temperature range	T_{STG}	-55 to +150	°C

Notes: 1. Measured with $I_F=0.5A$, $I_R=1.0A$, $I_{RR}=0.25A$.
2. Measured at 1.0MHZ and applied reverse voltage of 4.0V DC.

Rating and Characteristics Curvers (CEFC403-HF)

Fig.1 - Typical Forward Current Derating Curve

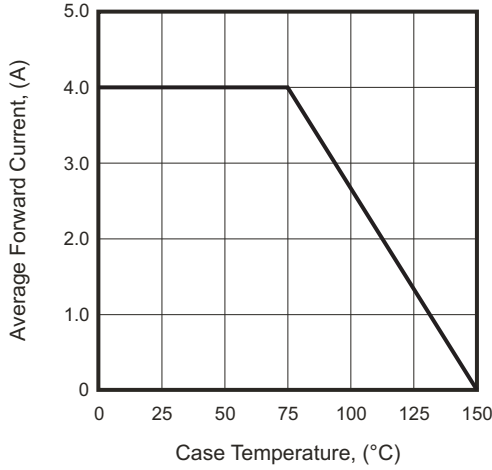


Fig.2 - Typical Forward Characteristics

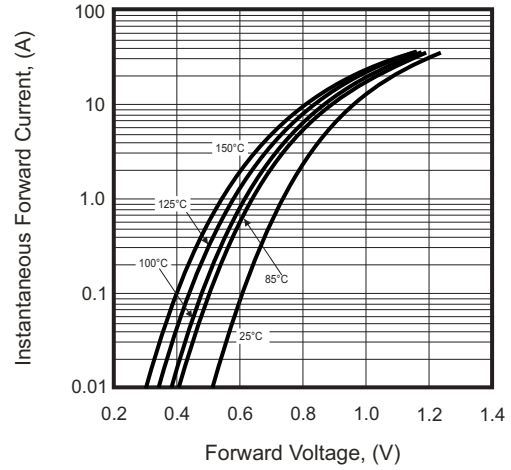


Fig.3 - Maximum Non-repetitive Forward Surge Current

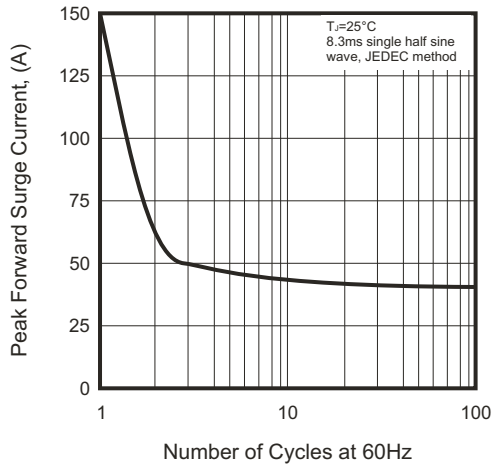


Fig.4 - Typical Reverse Characteristics

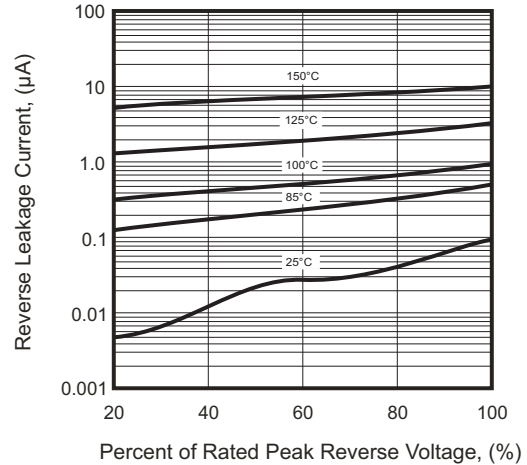


Fig.5 - Typical Junction Capacitance

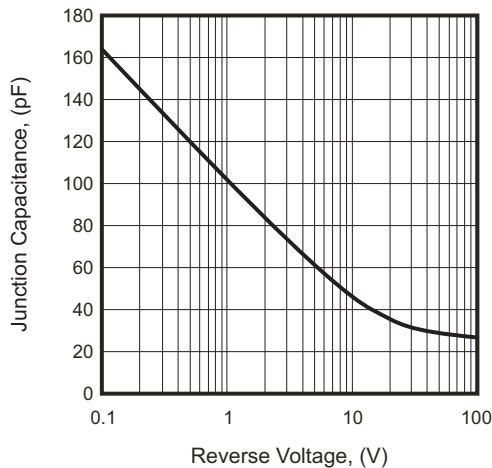
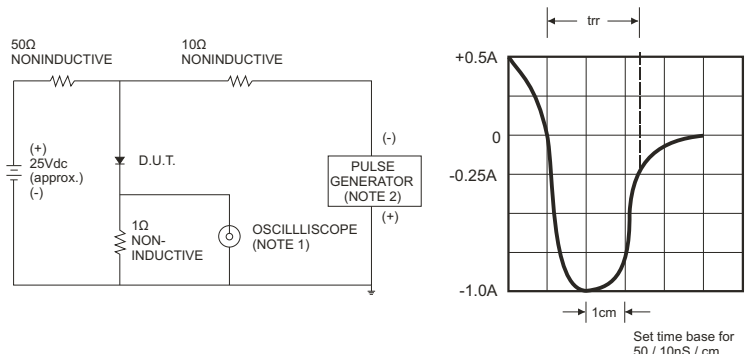
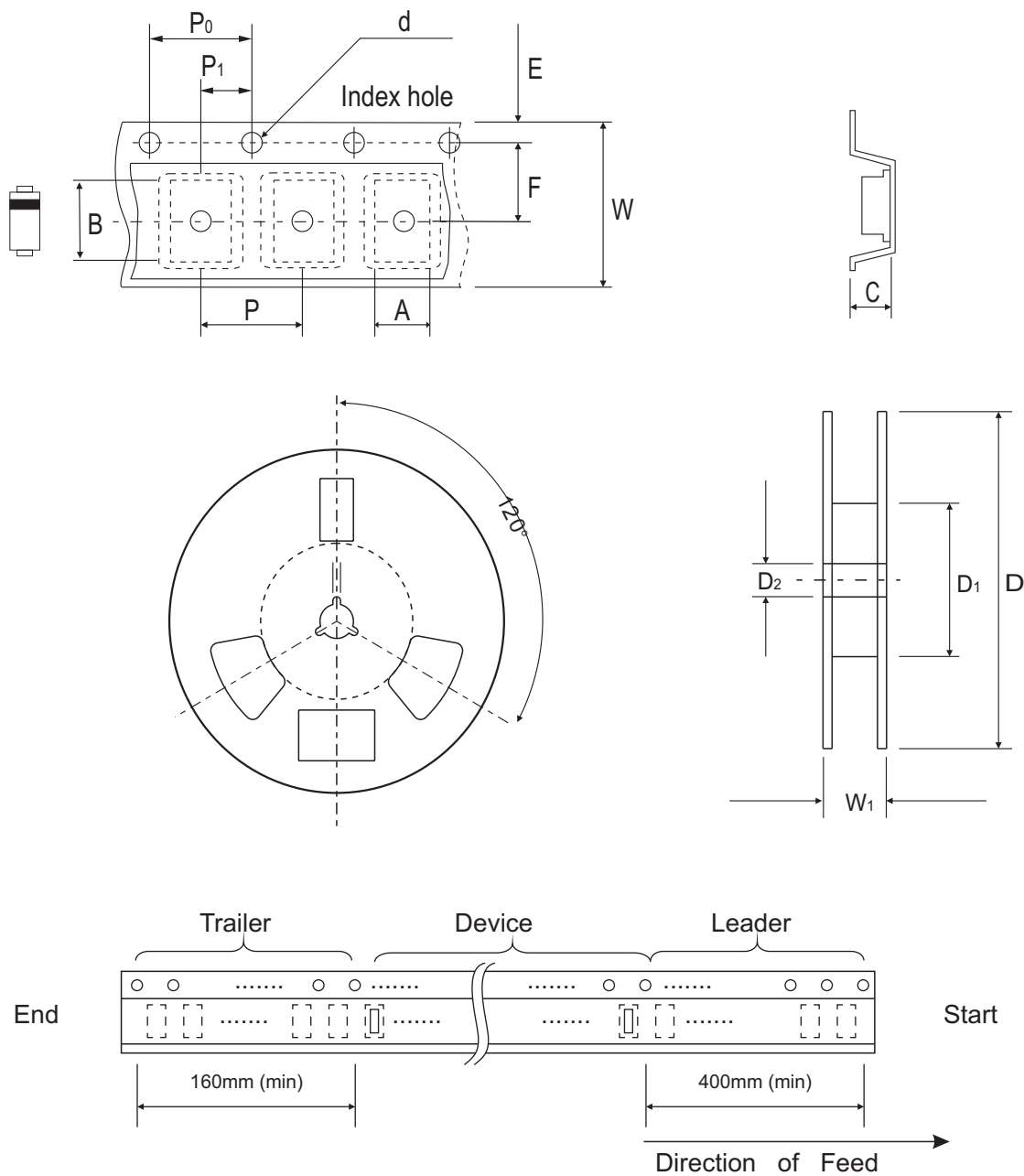


Fig.6 - Reverse Recovery Time Characteristic and Test Circuit



Note: 1. Rise time=7nS Max. input impedance=1MHz 22pF
2. Rise time=10nS Max. source impedance=50Ω

Reel Taping Specification



DO-214AB (SMC)	SYMBOL	A	B	C	d	D	D ₁	D ₂
	(mm)	6.30 MAX.	8.60 MAX.	2.90 MAX.	1.50 ± 0.10	330 ± 2.00	50 MIN.	13.50 ± 1.00
	(inch)	0.248 MAX.	0.339 MAX.	0.114 MAX.	0.059 ± 0.004	13.00 ± 0.079	1.969 MIN.	0.531 ± 0.039

DO-214AB (SMC)	SYMBOL	E	F	P	P ₀	P ₁	W	W ₁
	(mm)	1.75 ± 0.10	7.50 ± 0.05	8.00 ± 0.10	4.00 ± 0.10	2.00 ± 0.05	16.00 ± 0.30	22.40 MAX.
	(inch)	0.069 ± 0.004	0.295 ± 0.002	0.315 ± 0.004	0.157 ± 0.004	0.079 ± 0.002	0.630 ± 0.012	0.882 MAX.

Company reserves the right to improve product design, functions and reliability without notice.

REV: A

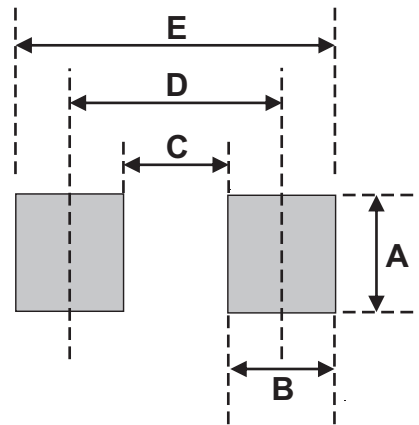
Marking Code

Part Number	Marking Code
CEFC403-HF	MUR420C



Suggested PAD Layout

SIZE	DO-214AB (SMC)	
	(mm)	(inch)
A	3.30	0.130
B	2.50	0.098
C	4.40	0.173
D	6.80	0.268
E	9.40	0.370



Note:

1. The pad layout is for reference purposes only.

Standard Packaging

Case Type	REEL PACK	
	REEL (pcs)	Reel Size (inch)
DO-214AB (SMC)	3,000	13